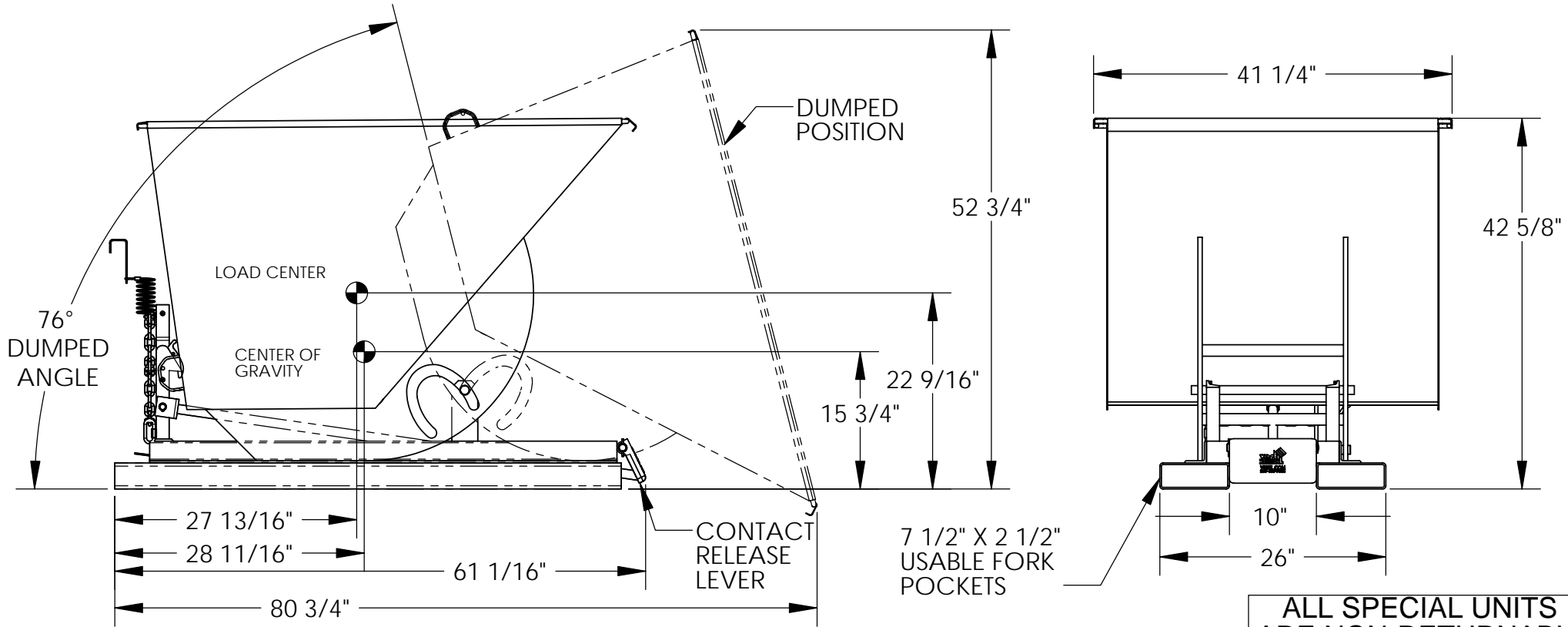


APPROXIMATE WEIGHT IS: 507.88 lbs.

- SELF-DUMPING STEEL HOPPER W/ BUMPER RELEASE - MODEL: D-100-LD

*** ANY ADDITIONS, DELETIONS, OR OMISSIONS MUST BE CORRECTED ON THIS DRAWING AS THIS DRAWING WILL BE CONSIDERED ALL INCLUSIVE ***
 ALL GRAPHICS PROVIDED ARE FOR REFERENCE ONLY. IF CERTAIN DIMENSIONS ARE CRITICAL PLEASE VERIFY THOSE DIMENSIONS WITH YOUR SALESPERSON



ALL SPECIAL UNITS ARE NON-RETURNABLE

STANDARD FEATURES

VOLUME: 1 CU. YDS.
 CAPACITY: 2,000 LBS.
 OVERALL WIDTH: 41 5/16"
 OVERALL LENGTH: 80 3/4"
 OVERALL HEIGHT: 42 11/16"
 RELEASE CABLE LENGTH: 48"
 USABLE WORK ENVELOPE:
 51 1/2"H X 80 1/4"L X 41 1/2"W

SPECIAL FEATURES

NONE

WITH CASTER OPTION, THE MAXIMUM WEIGHT CAPACITY IS THE LOWEST WEIGHT CAPACITY OF EITHER THE HOPPER OR THE CASTERS

OPTIONS

PLEASE CIRCLE ALL THAT APPLY

H - LEKP	D - LEKP
D - PLG	LUG
6 X 2 CASTER KIT ADDS 7 3/4" TO HEIGHT	8 X 2 CASTER KIT ADDS 9 3/4" TO HEIGHT
PLASTIC LID	

APPROVAL

I, the undersigned, hereby approve this print.
 This includes my approval of design & dimensions

As drawn As marked

Signed: _____ Date: _____

LEAD TIME WILL START UPON RECEIPT OF SIGNED APPROVAL DRAWING

DISTRIBUTOR'S NAME: VESTIL MANUFACTURING		P.O.# X
DRAWN BY: W. STALEY	DATE: 5/7/08	W.O.# X
REFERENCE: X	SCALE: 1:17	SALES: X
	QUOTE # X	FILE NAME: 37-007-022