



Profit from the Eagle Advantage®

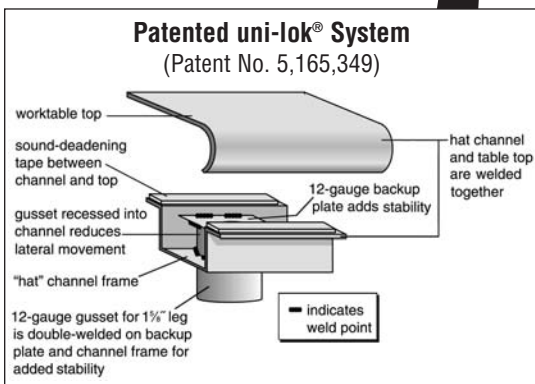
Specification Sheet

Short Form Specifications

Eagle worktables, Budget series model _____. Top to be constructed of heavy gauge, type 430 stainless steel with 1½" roll on front and rear, and sides turned down 90°. Undershelf to be adjustable and constructed of heavy gauge galvanized. Top reinforced with welded hat channels, and sound deadened. Constructed with uni-lok® patented gusset system with the gussets recessed into the hat channels to reduce lateral movement. Legs to be 1½" O.D. galvanized tubing with galvanized gussets, and 1" hi-impact plastic bullet feet.



worktable with flat top and undershelf



Item No.: _____
 Project No.: _____
 S.I.S. No.: _____

Worktables with Flat Top and Galvanized Base with Adjustable Undershelf—Budget Series

MODELS:

- | | | | |
|---------------------------------|----------------------------------|----------------------------------|----------------------------------|
| <input type="checkbox"/> T2424B | <input type="checkbox"/> T24108B | <input type="checkbox"/> T3072B | <input type="checkbox"/> T3660B |
| <input type="checkbox"/> T2430B | <input type="checkbox"/> T24120B | <input type="checkbox"/> T3084B | <input type="checkbox"/> T3672B |
| <input type="checkbox"/> T2436B | <input type="checkbox"/> T24132B | <input type="checkbox"/> T3096B | <input type="checkbox"/> T3684B |
| <input type="checkbox"/> T2448B | <input type="checkbox"/> T24144B | <input type="checkbox"/> T30108B | <input type="checkbox"/> T3696B |
| <input type="checkbox"/> T2460B | <input type="checkbox"/> T3030B | <input type="checkbox"/> T30120B | <input type="checkbox"/> T36108B |
| <input type="checkbox"/> T2472B | <input type="checkbox"/> T3036B | <input type="checkbox"/> T30132B | <input type="checkbox"/> T36120B |
| <input type="checkbox"/> T2484B | <input type="checkbox"/> T3048B | <input type="checkbox"/> T30144B | <input type="checkbox"/> T36132B |
| <input type="checkbox"/> T2496B | <input type="checkbox"/> T3060B | <input type="checkbox"/> T3648B | <input type="checkbox"/> T36144B |

Tabletop

- Patented uni-lok® gusset system (patent #5,165,349): gussets are recessed into hat channel, reducing lateral movement.
- Top reinforced with welded-on hat channel.
- Sound-deadened between top and channels.
- 1½" (38mm)-diameter 180° rolled edges on front and rear. Ends are turned down 90° providing for flush installations when required.
- Heavy gauge type 430 polished stainless steel.

Adjustable Undershelf

- Heavy gauge, galvanized.
- Gusset welded to each corner.

Legs—1½" (41mm)-diameter

- Tables 96" (2438mm) and longer come with six legs or more.
- Heavy gauge galvanized steel.
- 1" (25mm) adjustable hi-impact plastic feet.

Options / Accessories

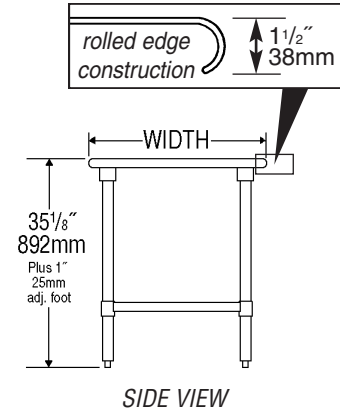
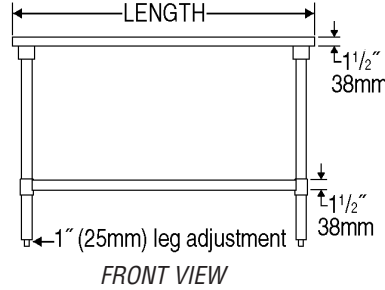
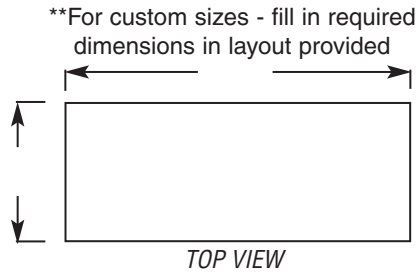
- | | |
|--|--|
| <input type="checkbox"/> Drawer | <input type="checkbox"/> Duplex receptacles |
| <input type="checkbox"/> Lock | <input type="checkbox"/> Pot rack |
| <input type="checkbox"/> Casters | <input type="checkbox"/> Sink |
| <input type="checkbox"/> Stainless steel bullet feet | <input type="checkbox"/> Additional undershelf |
| <input type="checkbox"/> Overshelves | <input type="checkbox"/> Stabilizer Bar (for 30"- and 36"-wide tables) |

For More Information: 866-333-0728
 Custom Equipment Company
 Sales: sales@customMhs.com
 www.customMhs.com



Item No.: _____
 Project No.: _____
 S.I.S. No.: _____

Worktables with Flat Top and Galvanized Base with Adjustable Undershef—Budget Series



model #	# of legs	width		length		weight	
		in.	mm	in.	mm	lbs.	kg
T2424B	4	24"	610	24"	610	40	18.1
T2430B	4	24"	610	30"	762	45	20.4
T2436B	4	24"	610	36"	914	50	22.7
T2448B	4	24"	610	48"	1219	60	27.2
T2460B	4	24"	610	60"	1524	70	31.8
T2472B	4	24"	610	72"	1829	80	36.3
T2484B	4	24"	610	84"	2134	90	40.8
T2496B	6	24"	610	96"	2438	100	45.4
T24108B	6	24"	610	108"	2743	110	49.9
T24120B	6	24"	610	120"	3048	120	54.4
T24132B	8	24"	610	132"	3353	130	59.0
T24144B	8	24"	610	144"	3658	140	63.5
T3030B	4	30"	762	30"	762	46	20.9
T3036B	4	30"	762	36"	914	52	23.6
T3048B	4	30"	762	48"	1219	64	29.0
T3060B	4	30"	762	60"	1524	76	34.5
T3072B	4	30"	762	72"	1829	84	38.1
T3084B	4	30"	762	84"	2134	96	43.6
T3096B	6	30"	762	96"	2438	108	49.0
T30108B	6	30"	762	108"	2743	120	54.4
T30120B	6	30"	762	120"	3048	132	59.9
T30132B	8	30"	762	132"	3353	144	65.3
T30144B	8	30"	762	144"	3658	156	70.8
T3648B	4	36"	914	48"	1219	70	31.8
T3660B	4	36"	914	60"	1524	82	37.2
T3672B	4	36"	914	72"	1829	96	43.6
T3684B	4	36"	914	84"	2134	108	49.0
T3696B	6	36"	914	96"	2438	120	54.4
T36108B	6	36"	914	108"	2743	132	59.9
T36120B	6	36"	914	120"	3048	144	65.3
T36132B	8	36"	914	132"	3353	156	70.8
T36144B	8	36"	914	144"	3658	168	76.2

For More Information: 866-333-0728
 Custom Equipment Company
 Sales: sales@customMhs.com
 www.customMhs.com