

WELDED ALUMINUM SAFETY LADDERS **SERIES A**

COTTERMAN ALUMINUM SERIES "A" SAFETY LADDERS are one-piece set-up assemblies of high strength aluminum alloy. The solid ribbed aluminum steps and top step provide sure footing in areas where dress shoes or high heels are worn. In addition to being lightweight, aluminum ladders are corrosion resistant and easy to clean. They are also non-magnetic.

FEATURES:

- The structural framework is of 1" O.D. 6061-T6 high strength aluminum alloy tube.
- Both the steps and the top step are 16" or 24" wide and available in solid ribbed extruded aluminum alloy or aluminum grip strut. The steps are 7" deep. The top step is 14" deep.
- All ladders are provided with spring loaded 2" ball bearing swivel brake casters and reinforced rubber tipped legs.
- Ladders are normally furnished with unpainted aluminum mill finish.
- Series A aluminum ladders comply with OSHA 1910.29 and ANSI A14.7 standards with a 350 lb. load rating. Cal-OSHA models also available.

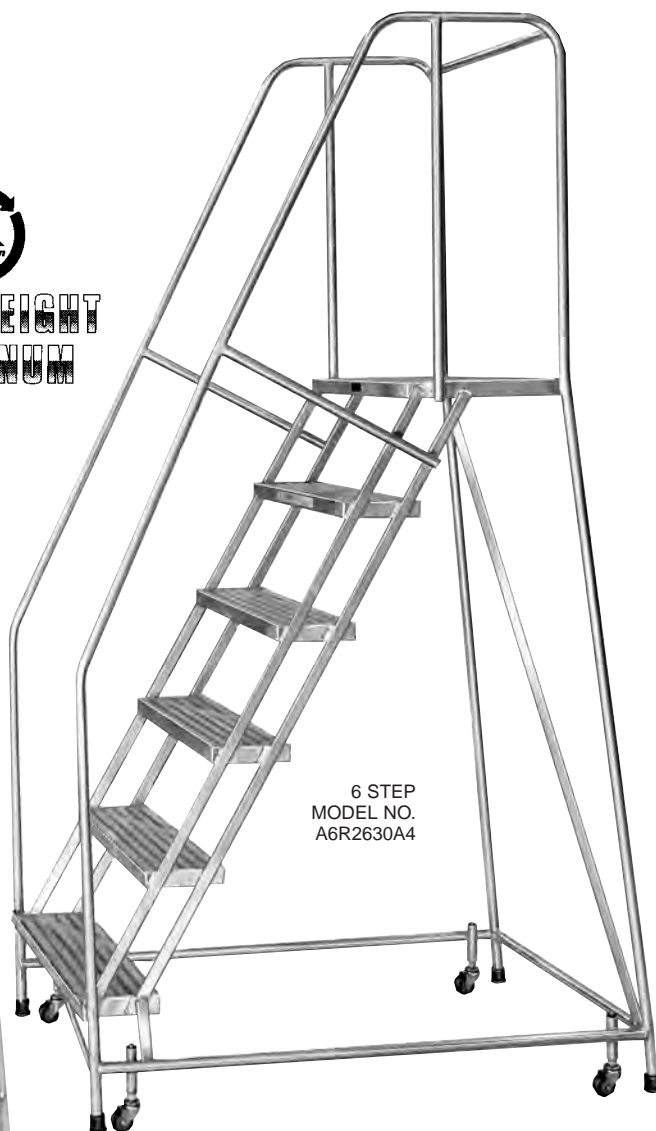


LIGHTWEIGHT ALUMINUM

3 STEP
MODEL NO.
A3R2630A3



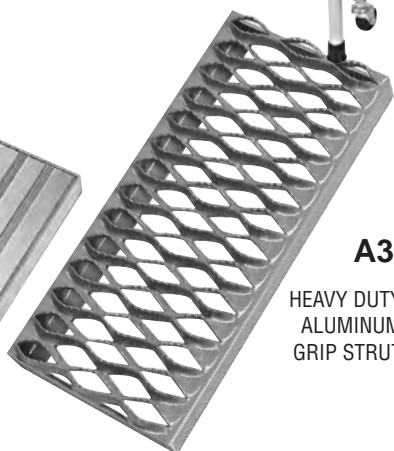
6 STEP
MODEL NO.
A6R2630A4



A4
SOLID
RIBBED
ALUMINUM
STEPS



A3
HEAVY DUTY
ALUMINUM
GRIP STRUT



NO. STEPS INCL. TOP STEP	TYPE OF RAILS	TOP STEP HT.	OVER-ALL HT.	18" WIDE AT TOP			26" WIDE AT TOP		
				MODEL NO.	BASE W"xL"	SHPG. WT.	MODEL NO.	BASE W"xL"	SHPG. WT.
1	NONE	12"	12"	*A1N1818	18x20	13	*A1N2626	26x20	14
2	NONE	20"	20"	*A2N1818	18x23	16	*A2N2626	26x23	20
2	HAND	20"	50"	A2R1818	18x23	19	A2R2626	26x23	21
3	NONE	30"	30"	A3N1822	22x29	21	A3N2630	30x29	25
3	HAND	30"	60"	A3R1822	22x29	24	A3R2630	30x29	27
4	NONE	40"	40"	A4N1822	22x36	26	A4N2630	30x36	30
4	HAND	40"	70"	A4R1822	22x36	28	A4R2630	30x36	32
5	HAND	50"	80"	A5R1822	22x43	35	A5R2630	30x43	39
6	HAND	60"	90"	A6R1824	24x50	39	A6R2630	30x50	44
7	HAND	70"	100"	-	-	-	A7R2630	30x57	54
8	HAND	80"	110"	-	-	-	A8R2630	30x63	61

*Shippable via UPS

COTTERMAN COMPANY IS PROUD TO BE A MEMBER OF THE FOLLOWING ASSOCIATIONS:

MEMBER
ANSI

MHIA
The Material Handling Industry of America
MEMBER COMPANY

MEMBER
SCAFFOLD
INDUSTRY
ASSOCIATION
SIA

National Safety Council

OPTIONS

RUBBER TIPPED LEGS
can be substituted for casters, no charge.

B1



SKID PLATES
can be substituted for casters, no charge

B7

