

Pallet Stackers

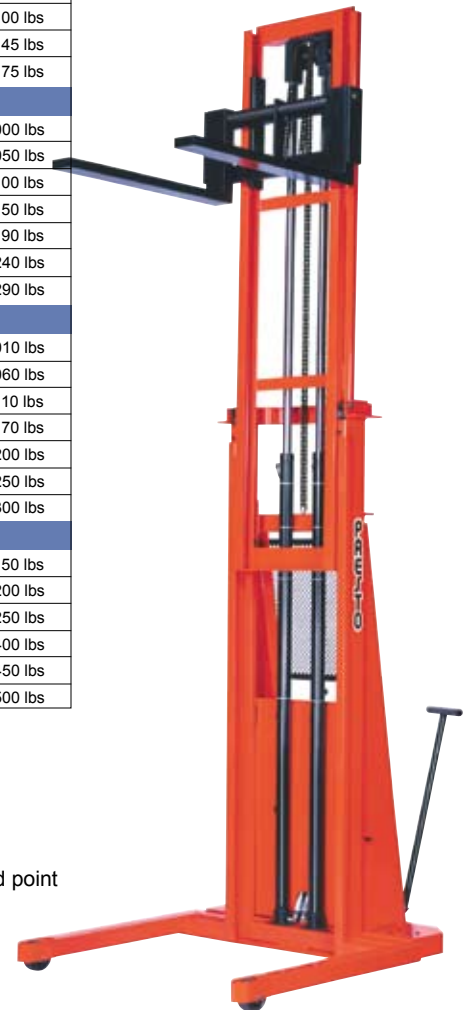
Pallet Stackers

Model Number	Load Capacity	Raised Height	Lowered Height	Dimensions H / W / L	Base Legs I.D. / O.D.	Wheel Dia. Front/Rear	Shipping Weight
PS Series - 42" I.D. Straddle - 24" Load Center							
PS262	2000 lbs	62"	2-1/2"	82 x 48 x 70"	42" / 48"	5" / 4"	875 lbs
PS274	2000 lbs	72"	2-1/2"	94 x 48 x 70"	42" / 48"	5" / 4"	925 lbs
PS286	2000 lbs	86"	2-1/2"	106 x 48 x 70"	42" / 48"	5" / 4"	975 lbs
PS2762	2700 lbs	60"	2-1/2"	84 x 48 x 70"	42" / 48"	5" / 4"	1000 lbs
PS2774	2700 lbs	72"	2-1/2"	96 x 48 x 70"	42" / 48"	5" / 4"	1045 lbs
PS50 Series - 50" I.D. Straddle - 24" Load Center							
PS62-50	1500 lbs	62"	2-1/2"	82 x 56 x 70"	50" / 56"	5" / 4"	975 lbs
PS74-50	1500 lbs	74"	2-1/2"	94 x 56 x 70"	50" / 56"	5" / 4"	925 lbs
PS86-50	1500 lbs	86"	2-1/2"	106 x 56 x 70"	50" / 56"	5" / 4"	975 lbs
PS262-50	2000 lbs	62"	2-1/2"	82 x 56 x 70"	50" / 56"	5" / 4"	900 lbs
PS274-50	2000 lbs	74"	2-1/2"	94 x 56 x 70"	50" / 56"	5" / 4"	975 lbs
PS286-50	2000 lbs	86"	2-1/2"	106 x 56 x 70"	50" / 56"	5" / 4"	1000 lbs
PS2762-50	2700 lbs	60"	2-1/2"	84 x 56 x 70"	50" / 56"	5" / 4"	1025 lbs
PS2774-50	2700 lbs	72"	2-1/2"	96 x 56 x 70"	50" / 56"	5" / 4"	1070 lbs
PSA Series - Adjustable Base - Straddle (35" I.D. to 50" I.D.) - 24" Load Center							
PSA62	1500 lbs	62"	2-1/2"	82 x 41-56 x 72"	35-50" / 41-56"	5" / 5"	995 lbs
PSA74	1500 lbs	74"	2-1/2"	94 x 41-56 x 72"	35-50" / 41-56"	5" / 5"	1045 lbs
PSA86	1500 lbs	86"	2-1/2"	106 x 41-56 x 72"	35-50" / 41-56"	5" / 5"	1095 lbs
PSA262	2000 lbs	62"	2-1/2"	82 x 41-56 x 72"	35-50" / 41-56"	5" / 5"	1000 lbs
PSA274	2000 lbs	74"	2-1/2"	94 x 41-56 x 72"	35-50" / 41-56"	5" / 5"	1045 lbs
PSA286	2000 lbs	86"	2-1/2"	106 x 41-56 x 72"	35-50" / 41-56"	5" / 5"	1100 lbs
PSA2762	2700 lbs	60"	2-1/2"	84 x 41-56 x 72"	35-50" / 41-56"	5" / 5"	1145 lbs
PSA2774	2700 lbs	72"	2-1/2"	96 x 41-56 x 72"	35-50" / 41-56"	5" / 5"	1175 lbs
PST Series - 42" I.D. Straddle - Telescoping Mast - 24" Load Center							
PST294	2000 lbs	94"	2-1/2"	119/73 x 48 x 71"	42-48"	5" / 4"	1000 lbs
PST2107	2000 lbs	107"	2-1/2"	133/81 x 48 x 71"	42-48"	5" / 4"	1050 lbs
PST2127	2000 lbs	127"	2-1/2"	155/93 x 48 x 71"	42-48"	5" / 4"	1100 lbs
PST2144	2000 lbs	144"	2-1/2"	169/99 x 48 x 71"	42-48"	5" / 4"	1150 lbs
PST2794	2700 lbs	94"	2-1/2"	119/75 x 48 x 71"	42-48"	5" / 4"	1190 lbs
PST27107	2700 lbs	107"	2-1/2"	133/81 x 48 x 71"	42-48"	5" / 4"	1240 lbs
PST27127	2700 lbs	127"	2-1/2"	156/94 x 48 x 71"	42-48"	5" / 4"	1290 lbs
PST50 Series - 50" I.D. Straddle - Telescoping Mast - 24" Load Center							
PST294-50	2000 lbs	94"	2-1/2"	119/73 x 56 x 71"	50-56"	5" / 4"	1010 lbs
PST2107-50	2000 lbs	107"	2-1/2"	133/81 x 56 x 71"	50-56"	5" / 4"	1060 lbs
PST2127-50	2000 lbs	127"	2-1/2"	155/93 x 56 x 71"	50-56"	5" / 4"	1110 lbs
PST2144-50	2000 lbs	144"	2-1/2"	169/99 x 56 x 71"	50-56"	5" / 4"	1170 lbs
PST2794-50	2700 lbs	94"	2-1/2"	119/75 x 56 x 71"	50-56"	5" / 4"	1200 lbs
PST27107-50	2700 lbs	107"	2-1/2"	133/81 x 56 x 71"	50-56"	5" / 4"	1250 lbs
PST27127-50	2700 lbs	127"	2-1/2"	156/94 x 56 x 71"	50-56"	5" / 4"	1300 lbs
PSTA Series - Adjustable Base - Straddle (35" I.D. to 50" I.D.) - 24" Load Center							
PSTA294	2000 lbs	94"	2-1/2"	119/73 x 41-56 x 73"	35-50" / 41-56"	5" / 5"	1150 lbs
PSTA2107	2000 lbs	107"	2-1/2"	133/80 x 41-56 x 73"	35-50" / 41-56"	5" / 5"	1200 lbs
PSTA2127	2000 lbs	127"	2-1/2"	154/92 x 41-56 x 73"	35-50" / 41-56"	5" / 5"	1250 lbs
PSTA2794	2700 lbs	94"	2-1/2"	120/75 x 41-56 x 73"	35-50" / 41-56"	5" / 5"	1400 lbs
PSTA27107	2700 lbs	107"	2-1/2"	133/81 x 41-56 x 73"	35-50" / 41-56"	5" / 5"	1450 lbs
PSTA27127	2700 lbs	127"	2-1/2"	155/93 x 41-56 x 73"	35-50" / 41-56"	5" / 5"	1500 lbs

Units over 93" in height will be shipped in the horizontal position.

Features

- 1500 - 2700 lb capacity
- 24" load centers
- Fixed or adjustable base
- Lifting heights - 62" through 144"
- Fixed and telescopic masts
- Hand-operated floor lock
- 1-1/2" thick x 3" wide x 36" long adjustable solid steel forks (1500 & 2000 lb capacities)
- 1-1/2" thick x 4" wide x 36" long adjustable solid steel forks (2700 lb capacities)
- Lifting speed 4" per second for 1500 & 2000 lb lifts
- Lifting speed 2" per second for 2700 lb lifts
- Heavy-duty 12V battery
- Custom micro-processor charger
- Fifth wheel for greater mobility
- Dual leaf-type chains with 8250 lb yield point
- Dual roller chain for 2700 lb lift
- Forks adjust from 6-1/2" to 30" O.D.
- 14" high fork backs
- Turning radius with 48" load:
 - 106" aisle with 42" I.D. base
 - 110" aisle with 50" I.D. base
 - 112" aisle with adjustable base @ 50" I.D.



Distributed By: Custom Equipment Company
866-333-0728 919-847-5765 fax
tom@custommhs.com www.custommhs.com