

P3 All Around *Pallet Positioner*

Installation, Operation and Service Manual

Serial # _____

Date placed in service _____

**IMPORTANT: READ CAREFULLY
BEFORE INSTALLING OR OPERATING LIFT**

Part orders are subject to a \$50 net minimum charge.



CONTENTS

INTRODUCTION	Page 4
RESPONSIBILITY OF OWNERS AND USERS	5
SAFETY	6
INSTALLATION INSTRUCTIONS	8
Unpacking the Unit	8
Setup and Instructions	8
Operation notes	9
Specifications.....	10
OPERATING INSTRUCTIONS	11
Labels and Precautionary Markings	11
Loading Manually	12
Removing Loads Manually	12
Operating Safely – Manual Use.....	12
Loading with a Fork Lift	13
Unloading with a Fork Lift	13
Moving the P3	13
TROUBLESHOOTING.....	14
Troubleshooting Check List	14
Maintenance	14
Ordering Replacement Parts	15
WARRANTY.....	16
 LIST OF FIGURES	
Figure 1 Labels and Precautionary Markings	11
Figure 2 Loading Manually	12
Figure 3 Unloading Manually	12
Figure 4 Warning - Load in Layers.....	12
Figure 5 Loading with a Fork Lift	13
Figure 6 Unloading with a Fork Lift	13
Figure 7 Moving the P3.....	13

INTRODUCTION

The P3 All Around Pallet Positioner is a simple device that will automatically maintain a load at the ideal height for manual loading and unloading. If a palletized load is placed on the unit, the unit gradually rises as boxes or parts are removed. This automatically maintains the top of the load at the correct working height.

The unit may also be used for the reverse application. An empty pallet may be placed on the P3 (P3 All Around Pallet Positioner). The unit gradually lowers as boxes or parts are added. Again, this keeps the top of the load at the correct height. Complete pallets may be loaded or unloaded using a stacker or fork lift. See Figures 5 and 6.

This manual contains information to help you to learn about the safe and proper installation, use, and upkeep of your P3. Please be sure that this manual is available to anyone who uses or services the unit.

P3 units may be used in a wide variety of industrial settings. The instructions in this manual are not necessarily all-inclusive, as Presto cannot anticipate all conceivable or unique situations.

In the interest of safety, please read this whole manual carefully. Be familiar with the contents of this manual before you install or use the P3 unit. If you are not sure of the proper procedure to be followed, please call Presto Lifts for more information.

Presto's product warranty is shown on the rear cover of this manual. This instruction manual is not intended to be or to create any other warranty, express or implied, including any implied warranty of merchantability or fitness for a particular purpose, all of which are hereby expressly excluded. As set forth more specifically in the product warranty, Presto's obligation under that warranty is limited to the repair or replacement of defective components, which shall be the buyer's sole remedy, and Presto Lifts shall not be liable for any loss, injury, or damage to persons or property, nor for any direct, indirect, or consequential damage of any kind.

Responsibility of Owners and Users

Inspection and Maintenance

The device shall be inspected and maintained in proper working order in accordance with Presto Lifts owner's manual.

Removal from Service

Any device not in safe operating condition such as, but not limited to, excessive leakage, missing rollers, pins, or fasteners, any bent or cracked structural members, cut or frayed pneumatic lines, damaged or malfunctioning controls or safety devices, etc. shall be removed from service until it is repaired to the original manufacturer's standards.

Deflection

It is the responsibility of the user/purchaser to advise the manufacturer where deflection may be critical to the application.

Repairs

All repairs shall be made by qualified personnel in conformance with Presto's instructions.

Operators

Only trained personnel and authorized personnel shall be permitted to operate the positioner.

Before Operation

Before using the device, the operator shall have:

- Read and/or had explained, and understood, the manufacturer's operating instructions and safety rules.
- Inspected the device for proper operation and condition. Any suspect item shall be carefully examined and a determination made by a qualified person as to whether it constitutes a hazard. All items not in conformance with Presto's specification shall be corrected before further use of the equipment.

During Operation

The device shall only be used in accordance with this owner's manual.

- Do not overload.
- Ensure that all safety devices are operational and in place.

Modifications or Alterations

Modifications or alterations to any Presto Lifts industrial positioning equipment shall be made only with written permission from Presto Lifts.

SAFETY ALERT SYMBOLS AND SIGNAL WORDS

The safety of all persons operating, maintaining, repairing, or in the vicinity of this equipment is of paramount concern. This is a powerful machine with moving parts, and is capable of causing personal injury if proper precautions are not taken. Therefore, throughout this manual, certain hazards have been identified which may occur in the use of the machine, and there are appropriate instructions or precautions which should be taken to avoid these hazards. In some cases, there are consequences which may occur if instructions or precautions are not followed. Below are the symbols and signal words along with their definitions referenced from ANSI Z535.4 - Product Safety Signs and Labels.

Safety Alert Symbols

These are the safety alert symbols.. They are used to alert you to potential physical injury hazards. Obey all safety messages that follow this symbol to avoid possible injury or death.



For use with DANGER signal word
(Red Background)



For use with WARNING signal word
(Orange Background)



For use with CAUTION signal word
(Yellow Background)

Signal Words

The meaning of different signal words as defined by ANSI Standard Z535.4 indicates the relative seriousness of the hazardous situation.



(Red Background)

DANGER indicates a hazardous situation which, if not avoided, will result in death or serious injury.



(Orange Background)

WARNING indicates a hazardous situation which, if not avoided, could result in death or serious injury.



(Yellow Background)

CAUTION, used with the safety alert symbol, indicates a hazardous situation which, if not avoided, could result in minor or moderate injury.



(Blue Background)

NOTICE is used to address practices not related to personal injury.



(Green Background)

SAFETY INSTRUCTIONS (or equivalent) signs indicate safety-related instructions or procedures.

Please read and follow this instruction manual, including all safety instructions and precautions, carefully and completely.

⚠ WARNING

Do not inflate the system to more than 30 PSI at the fully raised position. If the actuation system pressure is higher than 30 PSI under any circumstance it may cause the failure of the air actuation system thus resulting in severe injury.

⚠ WARNING

Never try to service the machine without carefully reading the maintenance part of this manual. Otherwise severe personal injury may result.



Figure 1 shows all the labeling on this unit. Please be sure that all of the labels are in place, and are visible to the machine operators. Never paint over the labels. If any of the labels are missing, please contact Presto for replacements. **Labels and precautionary markings on the machine help to protect your workers.**

INSTALLATION INSTRUCTIONS

Unpacking the Unit

1. Before you put the unit in service, check for local codes and ordinances that may apply. It is your responsibility to obtain any necessary permits.
2. Please read all of these instructions carefully. Be sure to read and understand all of the warnings.
3. Inspect the shipping pallet carefully for any damage which may have affected the unit. If you see signs of damage, notify the shipper immediately. Also make a note of this on the shipping papers that you are asked to sign.
4. Choose the place where you want to set the unit. It is very important that the P3 be located on a level, smooth and flat surface. Check the floor surface carefully and make sure that it is free of all loose debris and dirt.
5. Remove the banding that secures the unit to the pallet. Remove all packing material. Shift the unit to the floor. Support the base as you do this.
6. Check to see that the base frame of the unit is sitting firmly on the floor. Try to move or rock the frame of the unit. The base frame should be stable, and should not move. Check to see that the base frame is level. If any part of the base frame is more than $\frac{1}{2}$ " out of level in relation to any other part, reposition to a flatter, more level surface area.
7. If you have any questions about the steps in the installation process, please call Southworth Customer Service at 1-800-743-1000.

Overview

The P3 can be setup to position pallet loads ranging from approximately 300 lbs to 4500 lbs (140kg to 2,040kg). Once air is inflated into unit's air actuation system load capacity can be set. The gauge should never be more than 30 PSI (2.0 BAR) when the unit has no load on it. The unit will then lower or rise as the load is being added or removed from the unit, and thus works as an automatic level loader holding the top layer of goods at a convenient height.

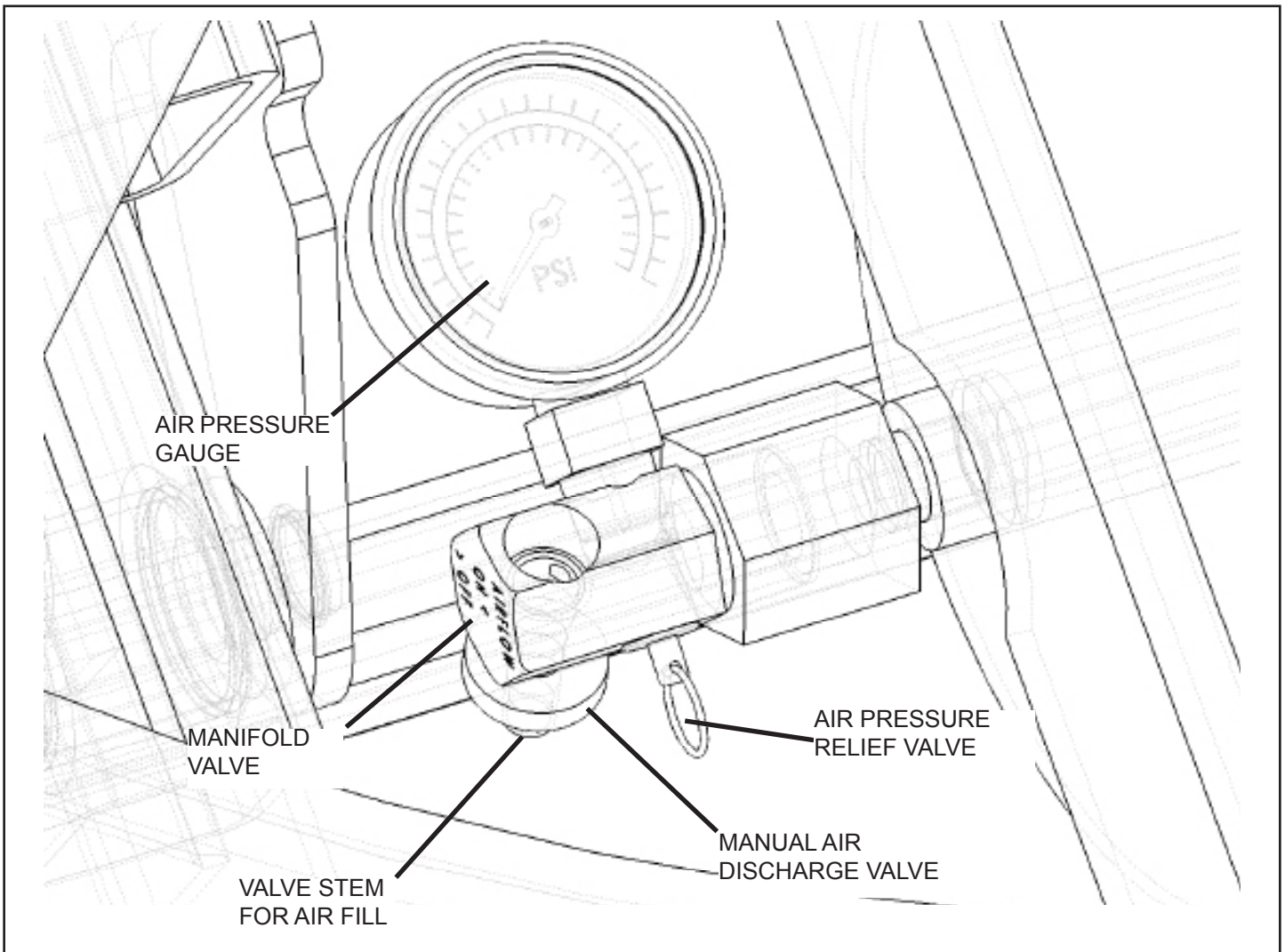
*NOTE: The actuation system of the P3 contains captive air much like an automotive tire and may lose small amounts of air over time. Therefore, air may have to be occasionally added to the system to compensate for the loss.

Quick Setup

With the unit empty pressurize the actuation system with approximately 30 PSI. Using a fork lift or stacker place the heaviest, complete pallet load on the unit. Slowly open the Manual Air Discharge Valve allowing air to escape. When the unit is fully lowered, close the Air Discharge Valve. The P3 is now set for that pallet load.

As the upper layers on the pallet are removed the unit will rise. When the pallet is near empty the unit will be at the top of its travel.

Setting the ideal load height is subjective. Some operators prefer to have the load held slightly higher, If so increase the air pressure slightly. If the load is being held too high slightly discharge some air.



OPERATION NOTES

⚠️WARNING

Never sit or ride on the turntable or operate the unit if anyone is on it.

⚠️WARNING

Never operate the unit if the load is off center. The load may shift, and you may be injured. This can also damage the unit.

⚠️WARNING

Keep the area around the unit clean. Do not allow any dirt, debris, spilled oil, or excess grease to collect. These materials may cause you to slip while the unit is operating, and you may be injured.

⚠️WARNING

Stay clear of the turntable when it is moving. As the pallet turns, a part of the load may rotate around and hit you. Never turn the load when anyone is standing beside the unit.

⚠️WARNING

Do not try to use this unit with damaged or broken pallets. Broken pallets may have boards or nails which hang down below the main part of the pallet. As the pallet is turned, these boards or nails may catch on the frame of the unit. This can cause the pallet to stop turning suddenly, causing the load to shift.

You may be injured, and the unit may be damaged. The boards or nails on the bottom of the pallet should not extend down more than 1/4 inch.

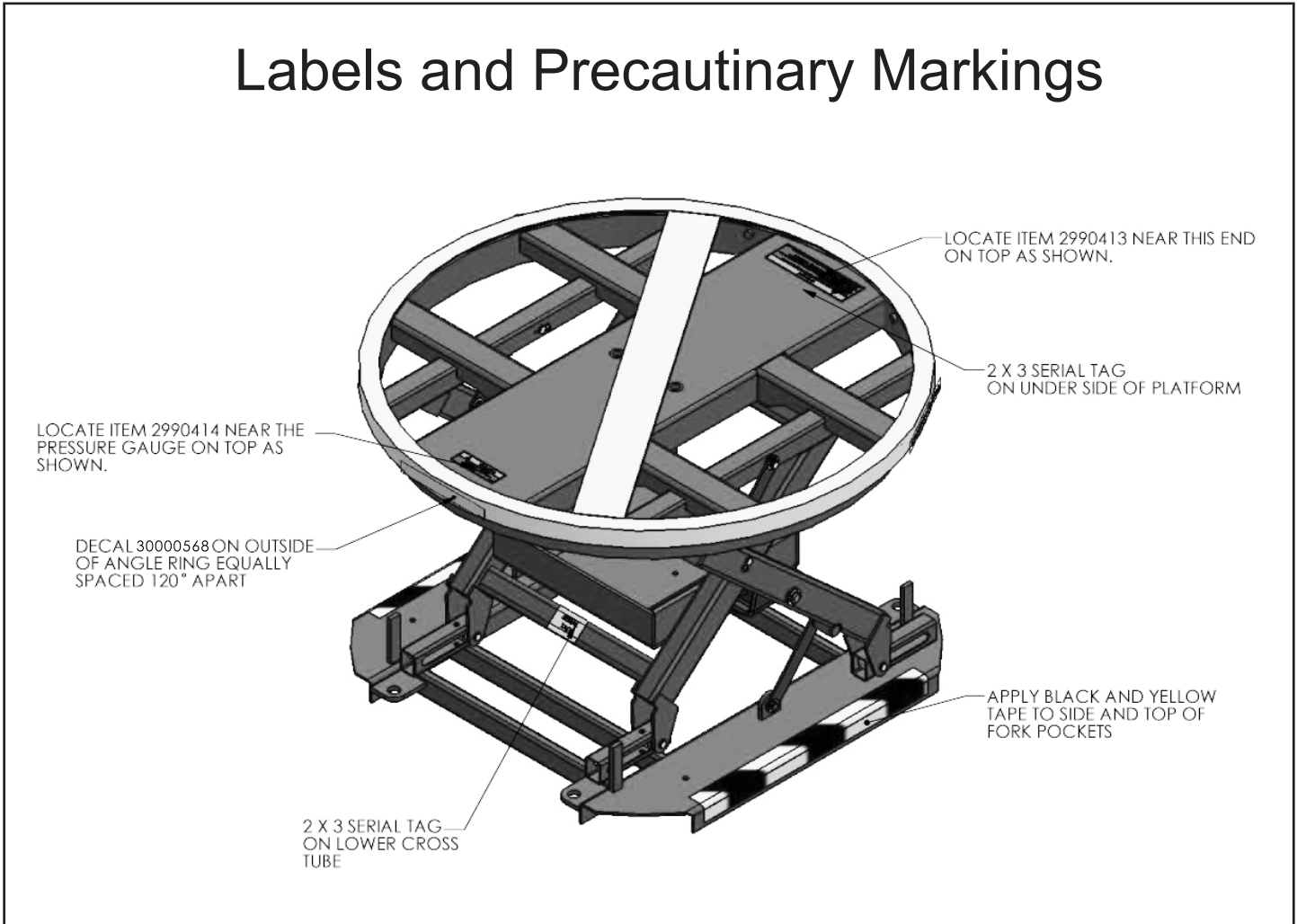
Specifications

Load capacity	300 to 4500 lbs.
Load size	50" wide x 50" long x 72" high (max.)
Base frame	36" x 36"
Compressed height	9 1/2 inches
Extended height	27 3/4 inches
Air source	80 PSI
Maximum system air pressure	30 PSI without load
Maximum system air pressure	65 PSI with full load
Safety relief valve setting	80 PSI
Rotating ring, outer diameter	43 5/8 inches
Rotating ring, inner diameter	40 5/8 inches
Ship weight	375 lbs
Operating environment	indoor
Operating temperature	-0F to +120F

Distributed by:
Custom Equipment Company
866-333-0728
sales@custommhs.com
www.custommhs.com

OPERATING INSTRUCTIONS

Labels and Precautinary Markings



CAUTION

Item 2990413

1. DO NOT INFLATE THE SYSTEM TO MORE THAN 30 PSI AT THE FULLY RAISED POSITION, OR 65 PSI AT THE LOWERED POSITION.
2. NEVER TRY TO SERVICE THE MACHINE WITHOUT CAREFULLY READING THE OWNER'S MANUAL. IMPROPER DISASSEMBLY OF ANY PART OF THE MACHINE COULD RESULT IN INJURY.
3. CONSULT OWNER'S MANUAL FOR FURTHER INFORMATION, OR CALL CUSTOMER SERVICE.

2990413

NOTICE

DO NOT INFLATE THE SYSTEM TO MORE THAN 30 PSI AT THE FULLY RAISED POSITION.

Item 2990414

2990414

Presto LIFTS Decal 30000568

Figure 1.

OPERATING INSTRUCTIONS (continued)

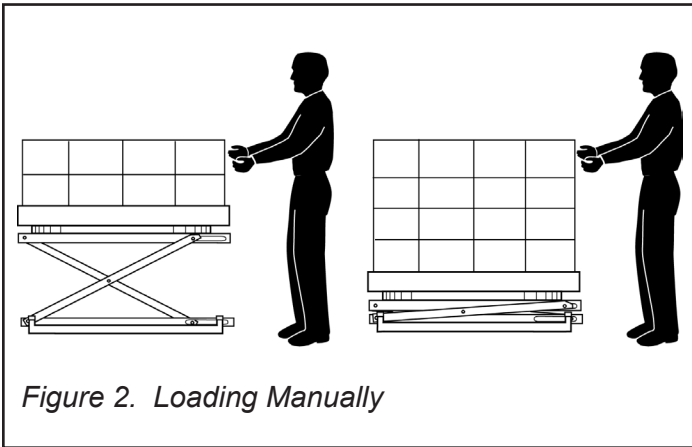


Figure 2. Loading Manually

Loading Manually

Add boxes or parts until the pallet is full. The unit will gradually lower the pallet until it reaches the bottom. See Figure 2.

Removing Loads Manually

Remove boxes or parts until the pallet is empty. The unit will gradually raise the pallet. See Figure 3.

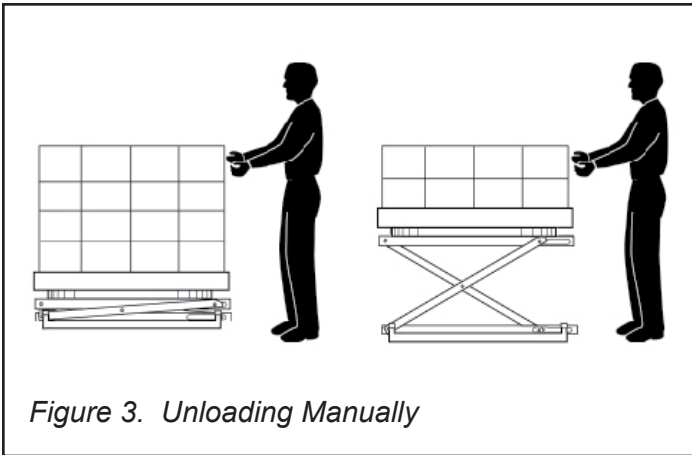


Figure 3. Unloading Manually

⚠ WARNING

Ensure that loading and unloading of the P3 is done in even layers. Loading or unloading a load on one side may cause the load to tip over and you may be injured. This can also damage the unit.

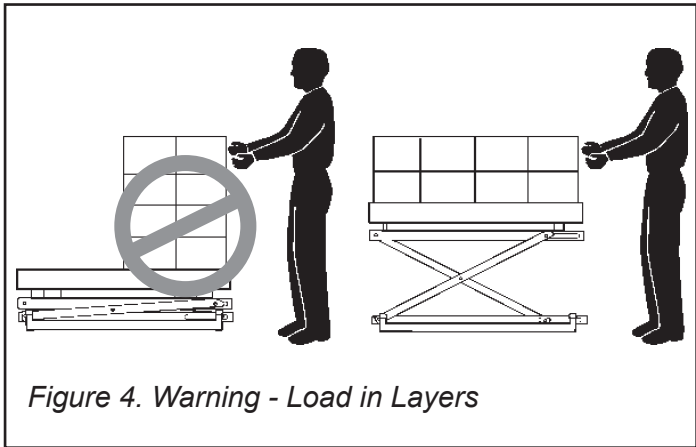


Figure 4. Warning - Load in Layers

Operating Safely -- Manual Use

1. Never push the load off of the side of the unit. If you do this, the frame of the unit may jump upward.
2. Never use the unit when anyone is sitting or riding on the turntable.
3. Do not try to use this unit with damaged or broken pallets. Broken pallets may have boards or nails which hang down below the main part of the pallet. As the pallet is turned, these boards or nails may catch on the frame. The pallet may stop turning suddenly and this can cause the load to shift. You may be injured and the unit may be damaged. If the boards or nails on the bottom of the pallet extend down more than $\frac{1}{8}$ inch, they will interfere with the turning action.
4. Stay clear of the turntable when it is moving. As the pallet turns, a part of the load may rotate around and hit you.
5. Keep the area around the unit clean. Do not allow any dirt, debris, spilled oil, or excess grease to collect. These materials may cause you to slip while the unit is operating and you may be injured.

Loading with a Fork Lift

1. Place the load on the lift, then lower the fork lift. Before removing the load, be sure the unit is carrying the weight, not the fork lift. See Figure 5.

- Lower the load until the airbag on the P3 is fully compressed.
- Be sure the forks on the lift are clear of the inside of the pallet.

⚠️WARNING

If you skip these steps, the load may drop suddenly when you remove the fork lift. You may be hurt or the unit or load may be damaged.

⚠️WARNING

Never drop the load on the turntable. If you do this while the turntable is moving, the load may shift. You may be injured or the unit may be damaged.

2. Be sure the load is centered on the turntable.

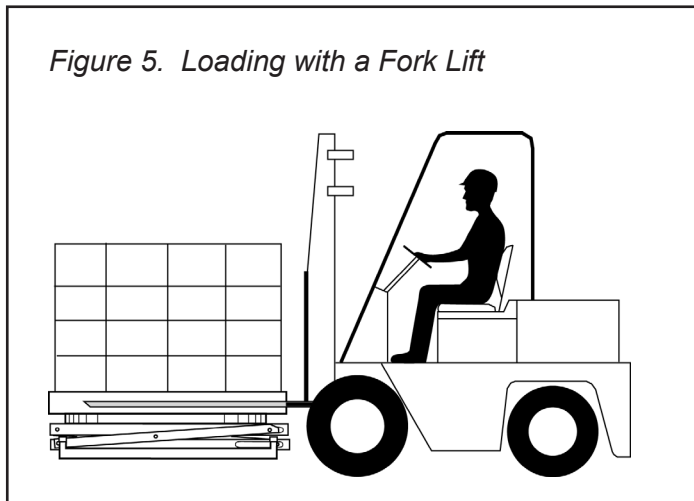


Figure 5. Loading with a Fork Lift

⚠️WARNING

If the load is off-center, it may shift when the turntable is turned. You may be hurt or the unit or load may be damaged.

1. Insert the forks into the pallet, and lift the pallet clear of the top of the unit. See Figure 6.
 - Be sure the pallet clears the top of the turntable before you move the fork lift.

⚠️WARNING

If you skip these steps, the unit may jump up suddenly when you remove the pallet. You may be hurt or the unit or load may be damaged.

Unloading with a Fork Lift

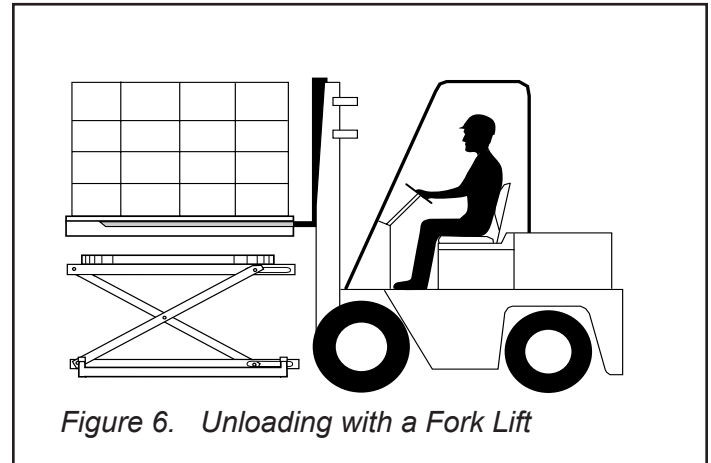


Figure 6. Unloading with a Fork Lift

Moving the P3 All Around Pallet Positioner

⚠️CAUTION

Do not move the P3 while it is loaded. This will damage the base frame of the unit. The pockets on the base frame are designed to support an unloaded P3, but cannot support any extra weight.

1. Remove any load from the top of the P3.
2. Insert the forks into the pockets in the base frame. See Figure 7.

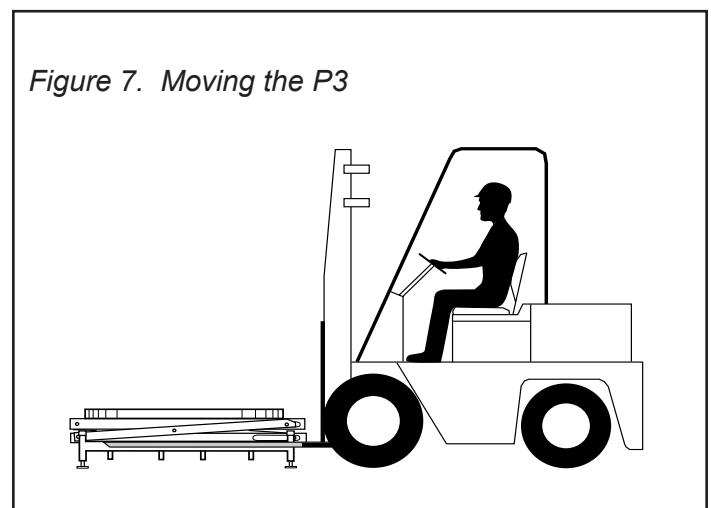


Figure 7. Moving the P3

Troubleshooting

Troubleshooting Check List		
<i>Problem</i>	<i>Possible Cause</i>	<i>Check This</i>
The unit lowers too easily (too early)	Not enough air pressure	See set-up procedure pg 8
The unit does not lower enough (too late)	Too much air pressure	See set-up procedure pg 8
The top of the unit rotates from you.	The base frame of the unit may not be level.	Move the unit to a level surface or away install the optional leveling feet.
Excessive "rumble" when top rotating.	One or more worn or broken bearings under turntable.	Remove turntable, replace bearings.
Wear on underside of turntable.	Normal condition caused by wear-hardening of metal.	No repair necessary.

Maintenance

Routine Periodic Maintenance

Every 90 days -

- Check for loose hardware and signs of excessive wear.
- Check to be sure that the unit is placed on a firm level surface.
- The actuation system of the P3 contains captive air much like an automotive tire and will lose small amounts of air over time. Therefore, air may have to be occasionally added to the system to compensate for the loss.

Ordering Replacement Parts

Presto Lifts has carefully chosen the components in your unit to be the best available for the purpose. Replacement parts should be identical to the original equipment. Presto Lifts will not be responsible for equipment failures resulting from the use of incorrect replacement parts or from unauthorized modifications to the unit.

Presto Lifts can supply all replacement parts for your P3. With your order, please include the model number and the serial number of the unit. You can find these numbers on the name plate. This plate is located within the scissors mechanism or up under the platform.

To order replacement parts, please call the Presto Parts Department. Parts are shipped subject to the following terms:

- FOB factory
- Returns only with the approval of our parts department.
- Credit cards preferred (except parts covered by warranty).
- Freight collect (except parts covered by warranty).
- Freight - prepaid and invoice for small parcel shipments (except parts covered by warranty).
- The warranty for repair parts is 30 days from date of shipment.

Parts replaced under warranty are on a "charge-credit" basis. We will invoice you when we ship the replacement part, then credit you when you return the worn or damaged part, and we verify that it is covered by our warranty. Labor is not covered under warranty for Parts orders.

Presto Parts Department

50 Commerce Way

Norton, MA 02766

Telephone: 800-343-9322

FAX: 888-788-6496

Email: service@PrestoLifts.com

www.PrestoLifts.com

Presto Lifts Limited Warranty Policy

Presto Lifts warrants this product against defects in the welded structural frame and, including the scissor legs from faulty material and workmanship for a period of five years from the date of invoice.

A lifetime limited warranty is provided for the Airstroke Actuator™ in all pneumatic lifts against any defect due to faulty material or workmanship.

All other components have a limited warranty against defects in faulty material and workmanship for a two year period from the date of invoice date of invoice and 30 day limited warranty on labor. Please note that prior authorization from Presto Lifts is required on all warranty work.

There are no implied warranties of any kind, more specifically, there are no warranties of merchantability or fitness for any particular purpose. Presto Lifts' sole warranty shall be as set forth in this limited warranty.

Presto Lifts will elect to repair or replace a defective component without charge, if any components should become defective within the limited warranty period. Proof of purchase is required for warranty. The charge for shipping the defective component is the responsibility of the buyer and must be accompanied with an RMA number. The shipping charge to return the component to the buyer is the responsibility of Presto Lifts, Inc.

This limited warranty does not cover labor expense for removal or reinstallation of components after thirty days. This limited warranty shall not cover, among other things: damages resulting from foreign matter or water, failure to provide reasonable and necessary maintenance or failure to follow operating instructions. The limited warranty is not valid for damage resulting from negligence, accident, unreasonable use, abuse or misuse, exceeding data plate capacities or altering the product without Presto Lifts authorization.

Presto Lifts expressly disclaims and excludes any liability for consequential, incidental, indirect or punitive damages or financial loss to people or property resulting from any breach of warranty or the operation or failure of this product.

Presto Lifts makes no representation that this product complies with local, state, or federal safety/product standards codes. Should this product fail to comply in any way with those codes, it shall not be considered a defect of materials or workmanship. Presto Lifts shall not be held liable for any damages resulting from noncompliance. It is the dealer's responsibility to exercise this limited warranty. This limited warranty is provided to the original purchaser (defined as the original end user) and is nontransferable. This constitutes the complete and final agreement involving Presto Lifts and limited warranty obligations for products.