

**Presto** <sup>LIFTS™</sup>  
worldwide material handling  
and ergonomic solutions

# PL & RL Series

## Hydraulic Lift Tables



### Installation, Operation and Service Manual

Model Number \_\_\_\_\_

Serial # \_\_\_\_\_

Date Placed in Service \_\_\_\_\_

**IMPORTANT: READ CAREFULLY  
BEFORE INSTALLING OR OPERATING LIFT**

Part orders are subject to a \$50 minimum charge.

JUNE 2016



This manual was current at the time of printing. To obtain the latest, most updated version, please contact Presto Lifts Customer Service Department or go to our website: [www.PrestoLifts.com](http://www.PrestoLifts.com) -- you will find a complete list of current owner's manuals to print.

# CONTENTS

<b>SECTION 1: Introduction</b> .....	4
Responsibility of Owners and Users.....	5
Safety Alert Symbols and Signal Words.....	6
<b>SECTION 2: Safety</b> .....	7
<b>SECTION 3: Unpacking and Assembly</b> .....	8
A. Inspection.....	8
<b>SECTION 4: Operation</b> .....	8
A. Set-Up Procedure.....	8
B. Operating Procedure for Hydraulic Tables.....	8
<b>SECTION 5: Servicing</b> .....	8
A. Servicing Instructions .....	8
If table does not rise to full height.....	8
If table does not load, or creeps down .....	8
To remove cylinder from table.....	9
B. Periodic Maintenance .....	9
C. Operator Safety .....	9
ORDERING REPLACEMENT PARTS.....	14
RESTOCKING POLICY .....	15
RETURN GOODS AUTHORIZATION (RGA) PROCEDURES .....	16
WARRANTY .....	17
<b>LIST OF FIGURES:</b>	
Figure 1 Foot Pump Assembly.....	9
Figure 2 Cylinder Seal Kit.....	10
Figure 3 Floor Position Detail (models sold prior to July 2005).....	11
Figure 4 Floor Position Detail (models sold July 2005 & after).....	12
Table 1: Hydraulic Oil Specifications .....	14
Figure 5 Labels and Locations.....	13

## **SECTION 1**

# **INTRODUCTION**

This manual provides all the information for the safe and proper assembly, operation and maintenance of Presto Lift Inc. lift. It is important that this manual be read by all personnel involved with the installation, maintenance or operation of the scissor lift. These models are designed for in-plant and non-hazardous locations.

**WHERE UNIQUE SITUATIONS OR APPLICATIONS ARISE, THAT ARE NOT COVERED IN THIS MANUAL, CALL PRESTO LIFTS SERVICE DEPARTMENT FOR FURTHER ASSISTANCE.**



**Distributed by:  
Custom Equipment Company  
866-333-0728  
sales@custommhs.com  
www.custommhs.com**

## **Responsibility of Owners and Users**

### **Inspection and Maintenance**

The device shall be inspected and maintained in proper working order in accordance with Presto's owner's manual.

### **Removal from Service**

Any device not in safe operating condition such as, but not limited to, excessive leakage, missing rollers, pins, or fasteners, any bent or cracked structural members, cut or frayed electric, hydraulic, or pneumatic lines, damaged or malfunctioning controls or safety devices, etc. shall be removed from service until it is repaired to the original manufacturer's standards.

### **Repairs**

All repairs shall be made by qualified personnel in conformance with Presto's instructions.

### **Operators**

Only trained personnel and authorized personnel shall be permitted to operate PowerStak.

### **Before Operation**

Before using the device, the operator shall have:

- Read and/or had explained, and understood, the manufacturer's operating instructions and safety rules.
- Inspected the device for proper operation and condition. Any suspect item shall be carefully examined and a determination made by a qualified person as to whether it constitutes a hazard. All items not in conformance with Presto's specification shall be corrected before further use of the PowerStak.

### **During Operation**

The device shall only be used in accordance with this owner's manual.

- Do not overload.
- Ensure that all safety devices are operational and in place.

### **Modifications or Alterations**

Modifications or alterations to any Presto industrial positioning equipment shall be made only with written permission from Presto.

# SAFETY ALERT SYMBOLS AND SIGNAL WORDS

The safety of all persons operating, maintaining, repairing, or in the vicinity of this equipment is of paramount concern. This is a powerful machine with moving parts, and is capable of causing personal injury if proper precautions are not taken. Therefore, throughout this manual, certain hazards have been identified which may occur in the use of the machine, and there are appropriate instructions or precautions which should be taken to avoid these hazards. In some cases, there are consequences which may occur if instructions or precautions are not followed. Below are the symbols and signal words along with their definitions referenced from ANSI Z535.4 - Product Safety Signs and Labels.

## Safety Alert Symbols

These are the safety alert symbols.. They are used to alert you to potential physical injury hazards. Obey all safety messages that follow this symbol to avoid possible injury or death.



For use with **DANGER** signal word  
(Red Background)



For use with **WARNING** signal word  
(Orange Background)



For use with **CAUTION** signal word  
(Yellow Background)

## Signal Words

The meaning of different signal words as defined by ANSI Standard Z535.4 indicates the relative seriousness of the hazardous situation.



(Red Background)

**DANGER** indicates a hazardous situation which, if not avoided, will result in death or serious injury.



(Orange Background)

**WARNING** indicates a hazardous situation which, if not avoided, could result in death or serious injury.



(Yellow Background)

**CAUTION**, used with the safety alert symbol, indicates a hazardous situation which, if not avoided, could result in minor or moderate injury.



(Blue Background)

**NOTICE** is used to address practices not related to personal injury.




(Green Background)

**SAFETY INSTRUCTIONS** (or equivalent) signs indicate safety-related instructions or procedures.

## **SECTION 2**

### **SAFETY**

The safety of all persons installing, using, servicing, or working near the unit is of paramount concern to Presto Lifts. The lift is a powerful machine with moving parts, and is **capable of causing personal injury if proper precautions are not taken**. Therefore, throughout this manual, Presto Lifts has identified certain hazards, which may occur in the use of the unit, and provided appropriate **instructions** or precautions that should be taken to avoid these hazards. In some cases, Presto Lifts' has also pointed out the **consequences** that may occur if Presto Lifts' instructions or precautions are not followed. Presto Lifts uses the following nationally recognized system for identifying the severity of the hazards associated with its products:

 **DANGER** – Immediate hazard that will result in severe personal injury or death.

 **WARNING** – Hazard or unsafe practice that could result in severe personal injury or death.

 **CAUTION** – hazard or unsafe practice that could result in minor personal injury or property damage.

**In the interest of safety, please read the entire manual carefully. You must understand the material in this manual before you install, use, or service the unit. If you have any question about any of the instructions in this manual, please contact Presto Lifts Inc. at 1-800-343-9322.**

## SECTION 3

# UNPACKING AND ASSEMBLY

### A. INSPECTION

Upon receipt of the PL Lift, inspect the equipment completely to determine if there is any shipment damage and that the lift is complete. *Do not* use the lift if there appears to be any damage.

## SECTION 4

# OPERATION

### A. SET-UP PROCEDURE

Each Hydraulic Table has been thoroughly inspected and tested prior to shipment. Due to possible damage in transit the following procedure must be performed before the equipment is used.

1. Remove all protective covering making certain that nothing is jammed or fallen into the moving parts of the table.
2. Inspect the Table for damage in shipment. Be sure to notify the trucking firm immediately if there is any damage.
3. All Hydraulic Tables are equipped with a hand operated floor lock.
4. For shipment, the foot pedal is wired to the unit. Before using the table this pedal should be installed into the foot pump lever.

### B. OPERATING PROCEDURE FOR HYDRAULIC TABLES

The following instructions apply to the hydraulic table. Carefully read and understand the procedures before operating the equipment:

1. Maximum table capacity for the Hydraulic Table is 2000 lbs. (Rubber wheels 1000 lbs. capacity.)
2. Before loading or unloading table, make sure the hand operated floor lock is securely locked against the floor. This requires you to pull up upon the floor handle. The floor lock is released by pushing the handle down.
3. Always place loads near the center of the table. When transferring loads to the table platform always slide, rather than drop, onto the raised table.
4. Pump the pedal on the cylinder to raise the table.

- Depress the release pedal to lower the table.
5. Keep feet out of the carriage unit; keep hands out of the roller path.
  6. Always lower table (especially when loaded) to its lowest position before moving the machinery any distance.
  7. Keep hands clear from under the table when loading and unloading.

## SECTION 5

# SERVICING

### A. SERVICING INSTRUCTIONS

For manually Operated Hydraulic Lift Tables

#### **If tables does not rise to full height:**

It probably requires oil (check with table in down position). To fill cylinder with oil, follow these instructions: There are two pipe plugs in the cylinder. Vent Plug and Oil Level Plug. Remove both plugs. Put a good grade of hydraulic jack oil in the cylinder through the top hole, replace both plugs. **TOP PLUG IS A BREATHER PLUG. BE SURE TO REPLACE PLUGS IN THEIR PROPER PLACES.**

#### **If table does not load, or tends to creep downward under a load:**

1. Ram chevron set may be worn.
2. Dirt particle may be obstructing seating of the valve, allowing leakage.

To replace ram chevron set in hydraulic cylinder assembly:

1. Remove hydraulic cylinder from table and remove Vent Plug and Oil Level Plug and drain oil from cylinder.
2. Clamp pump body in vise, unscrew top hex nut and remove outer cylinder.
3. Remove inner cylinder from pump making sure not to distort or mar cylinder. Note: **DO NOT** use pipe wrench.
4. Remove ram and replace chevron set.
5. Push ram into cylinder- chevron set last!
6. Reassemble and fill with clean hydraulic jack oil.



If dirt particle is obstructing seating of the valve:  
Open release valve by pressing down on the release pedal. At the same time, pump foot lever three or four strokes. Do this three or four time. Then place some weight on the platform and pump foot lever until platform reaches its full height. Now, lower table six inches to a foot at a time. This will dislodge dirt and table will work properly.

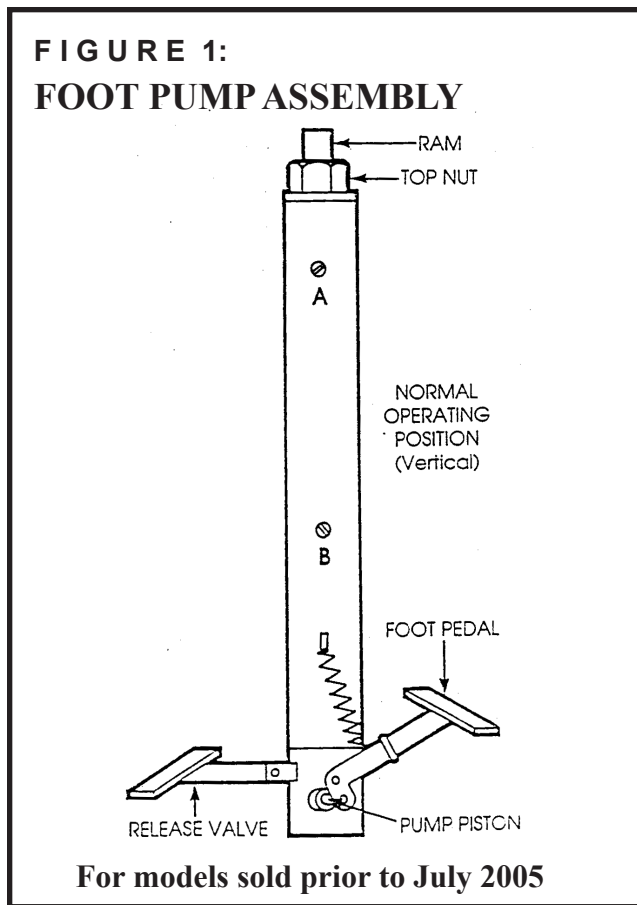
**To remove cylinder from table:**

1. Pump table to above 12-inch height and then prop platform up to keep it in raised position.
2. Step on release pedal and push ram down by hand until it reaches its lowest point.
3. Take out four hex bolts which screw cylinder into place and slide cylinder backward towards the casters of the table and the cylinder can be easily removed.

**B. PERIODIC MAINTENANCE**

**INSPECTION POINTS**

1. Check floor lock for positive locking operation- daily.
2. Check all nuts and bolts for proper tightness- monthly.
3. Check uprights for abrasives, dirt and oil caked contaminants- daily.
4. Inspect all decals- daily.
5. Keep all parts not requiring lubrication clean of lubricants. Pay particular attention to the outside of uprights and platform where personnel injury could result from slippery lubricant- daily.
6. Check structural frames for damage and cracked welds- daily.
7. Clean and inspect guides and guide wheels- weekly.
8. Clean and inspect all welds- weekly.
9. Clean and inspect lifting chains- monthly.
10. Lubricate chain with a rust inhibitive lubricant- weekly.
11. Adjust chain tension- tighten lock nut- weekly.
12. Clean and inspect for wear and damage, supporting wheels and casters- weekly.
13. Tighten all hold down bolts- weekly.
14. Lubricate wheel axles, king pins and bearings- weekly.
15. Test floor lock for holding ability- weekly.
16. Check for hydraulic leaks- monthly.
17. Check hydraulic fluid with the platform fully



lowered. Remove screw B fig. 1 Oil should be just below this level. If oil is needed use Conoco Super Hydraulic 32. **DO NOT USE BRAKE FLUID.** The hydraulic oil does not have to be changed unless it is unusually dirty (very dark in color) or if water is introduced due to condensation-weekly.

**C. OPERATOR SAFETY REMINDERS**

Presto Lifts designs and builds equipment to provide reliable, long service. The National Safety Council reminds us that most accidents are caused by the failure to follow simple and fundamental safety rules and precautions. A careful operator is the best insurance against an accident. Therefore, proper usage of the table is mandatory. Modifications from the original design are strictly forbidden without permission from Presto Lifts.



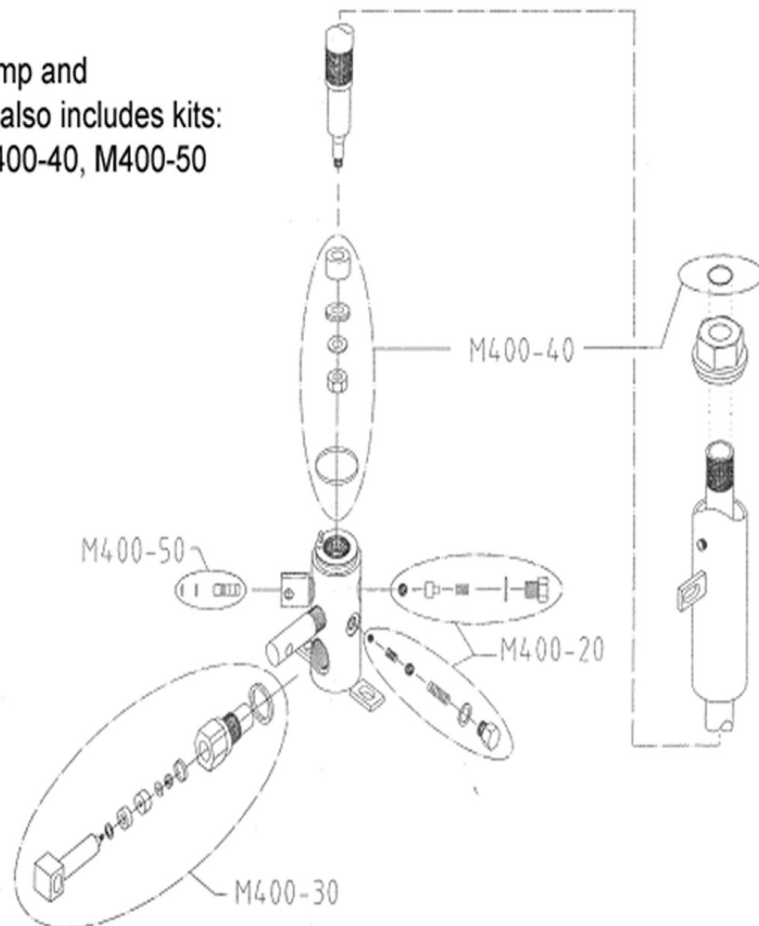
**A competent and responsible person familiar with procedures as outlined in this manual should perform inspection.**

## FIGURE 2: CYLINDER SEAL KIT

**NOTE: All part numbers are for models sold prior to July 2005.  
For machines manufactured in July 2005 and newer, contact the Presto Parts  
Department with the model and serial number of your machine so the correct  
part numbers can be quoted.**

### M Series Cylinder Seal Kits

M400-10 Pump and  
M400-20 Kit also includes kits:  
M400-30, M400-40, M400-50



**FIGURE 3:**

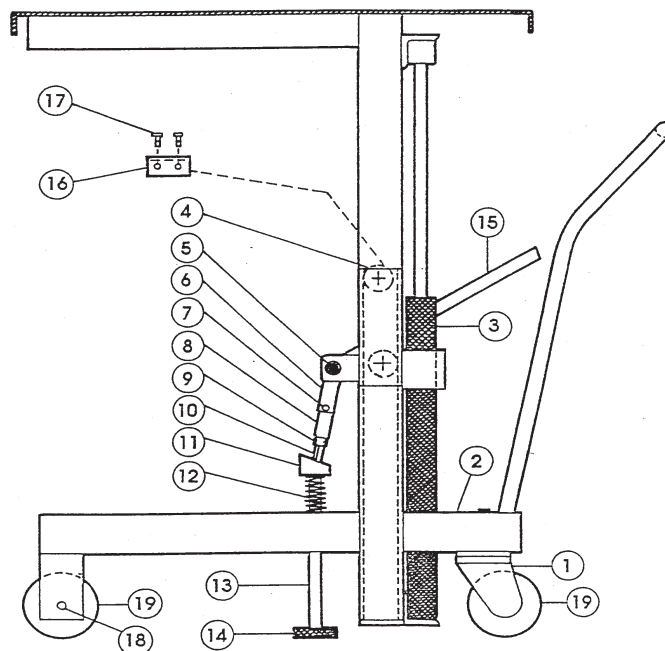
**FLOOR POSITION DETAIL AND PL SERIES PARTS LIST**

**NOTE: All part numbers are for models sold prior to July 2005.  
For machines manufactured in July 2005 and newer, contact the Presto Parts Department with the model and serial number of your machine so the correct part numbers can be quoted.**

Item	Part #	Description	Qty.
1 & 2	C101E	Stem Caster	1
3	M400-36	36" rise Cylinder Assy.	1
3	M400-48	48" rise Cylinder Assy.	1
3	M400-52	60" rise Cylinder Assy.	1
4	0462-04	Camrol Bearing	4
5	PSL29	Collar	2
6	PSL23A	Locking Lever	2
7	PSL28	Pin Assy.	2
8	PSL25A	Brake Lever	2
9	NO180	Locking Nut	2
10	PSL22	Brake Stud	2
11	PSL24	Rubber Cushion	2
12	PSL26	Spring	2
13	PSL21C	Pad Holder	2
14	M437	Lock Pad	2
15	0491-03	Lock Handle	1
16	0415	Lift Stop	2
17	N0901	Hex Hd. Bolt	4
18	C103	Axle	2
19	C102PH	Wheel Assy.	2

\* See the individual cylinder assembly breakdown for associated parts.

• Wheel Assembly consists of wheel, bearing and spanner.



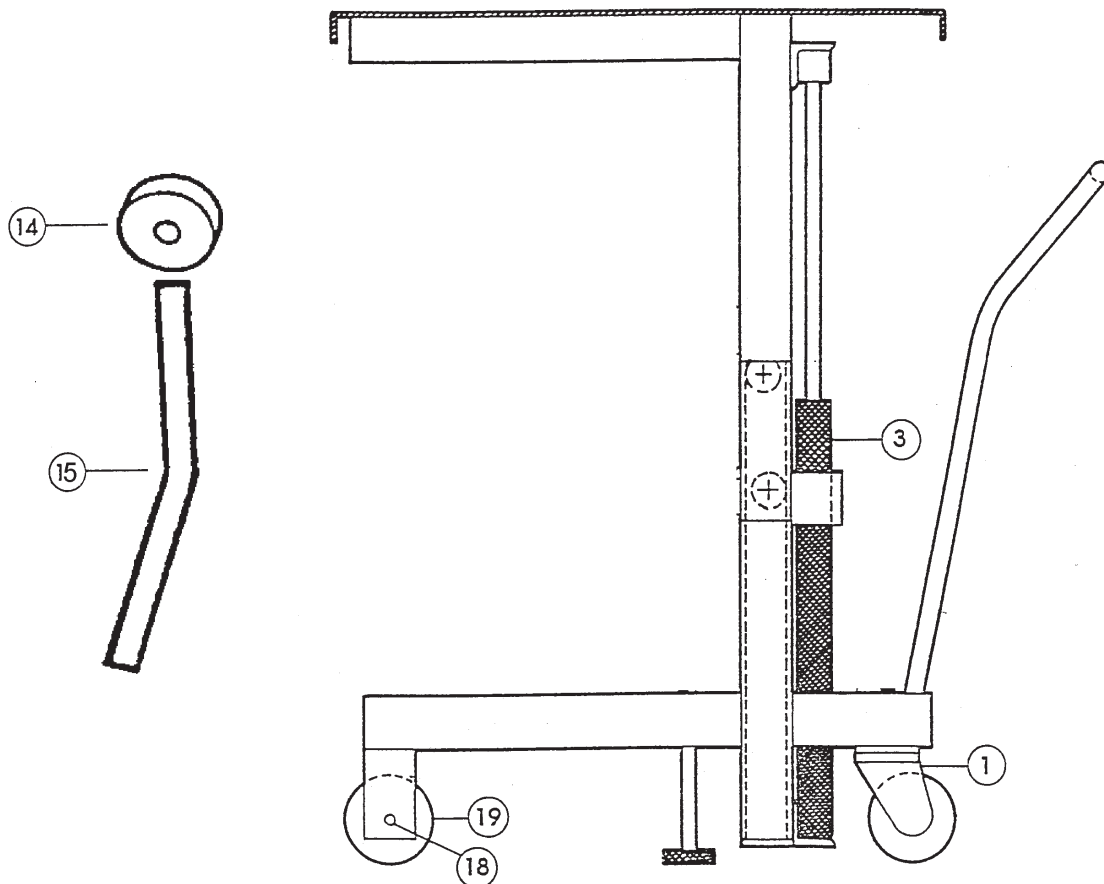
**FIGURE 4:**

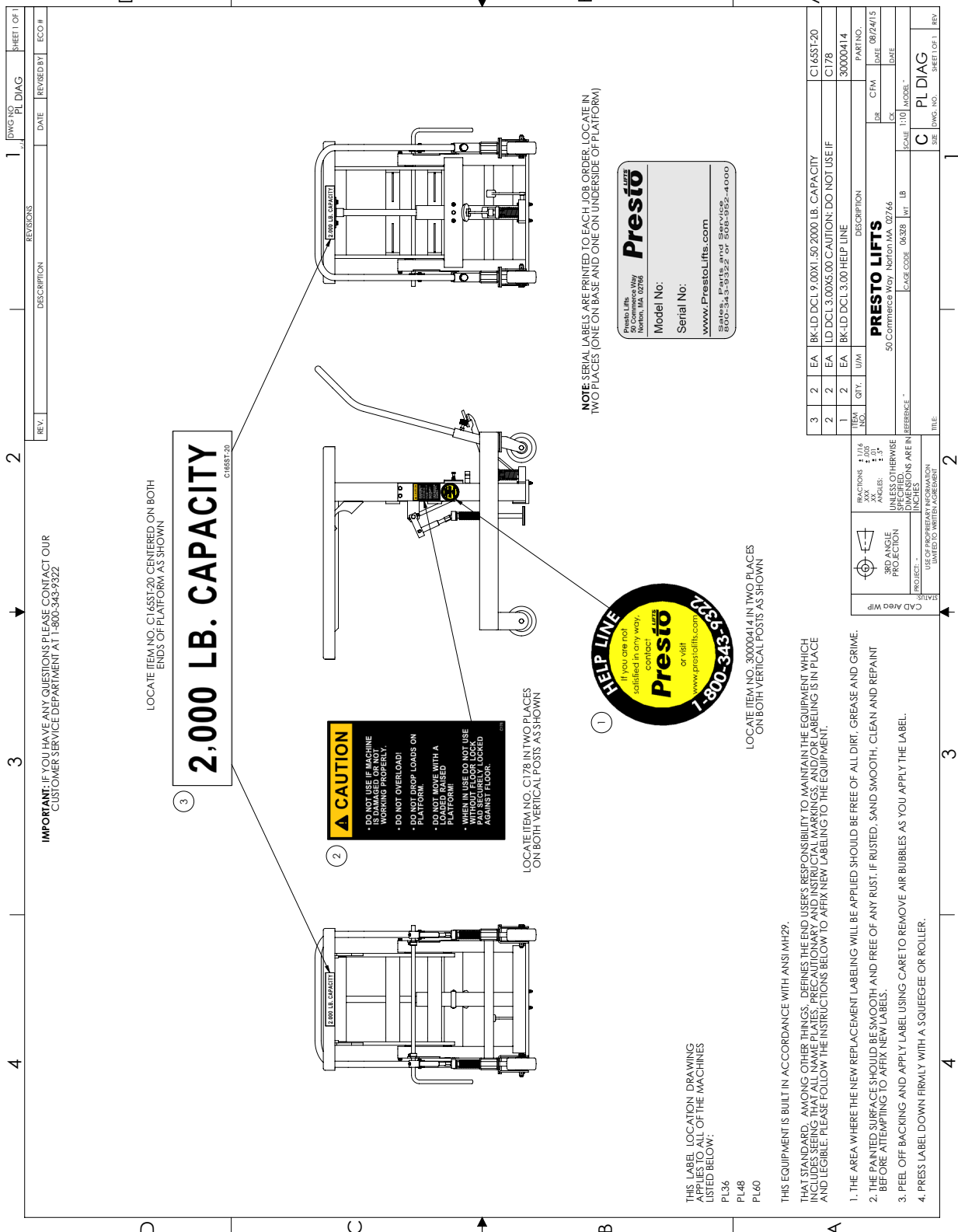
**FLOOR POSITION DETAIL AND PL SERIES PARTS LIST**

**NOTE: For models sold July 2005 and after.**  
**Please contact Presto Parts Department.**

<b>Item</b>	<b>Description</b>	<b>Qty.</b>
1	Swivel Caster	2
19	Rigid Caster	2
3	36" rise Cylinder Assy	1
3	48" rise Cylinder Assy	1
3	60" rise Cylinder Assy	1
14	Floor Lock	1
15	Floor Lock Pad	1
	Pump/Cyl Seal Kit	

- Wheel Assembly consists of wheel, bearing and spanner.





1 REVISIONS NO. PL DIAG SHEET 1 OF 1  
 2 DESCRIPTION DATE REVISIONS BY ECO #  
 3  
 4

IMPORTANT: IF YOU HAVE ANY QUESTIONS PLEASE CONTACT OUR CUSTOMER SERVICE DEPARTMENT AT 1-800-343-9322

LOCATE ITEM NO. C165ST-20 CENTERED ON BOTH ENDS OF PLATFORM AS SHOWN

**2,000 LB. CAPACITY**  
 C165ST-20

**CAUTION**  
 • DO NOT USE IF MACHINE IS DAMAGED OR NOT WORKING PROPERLY.  
 • DO NOT OVERLOAD!  
 • DO NOT DROP LOADS ON PLATFORM.  
 • ALWAYS RISE WITH A LOADED PLATFORM WITH A PLATFORM!  
 • WHEN IN USE DO NOT USE PLATFORMS UNLESS THE PAD IS SECURELY LOCKED AGAINST FLOOR.

LOCATE ITEM NO. C178 IN TWO PLACES ON BOTH VERTICAL POSTS AS SHOWN

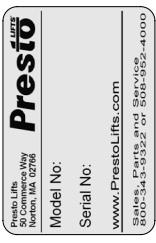


LOCATE ITEM NO. 30000414 IN TWO PLACES ON BOTH VERTICAL POSTS AS SHOWN

THIS LABEL LOCATION DRAWING APPLIES TO ALL OF THE MACHINES LISTED BELOW:  
 PL36  
 PL48  
 PL60

- THIS EQUIPMENT IS BUILT IN ACCORDANCE WITH ANSI MH29. THAT STANDARD, AMONG OTHER THINGS, DEFINES THE END USER'S RESPONSIBILITY TO MAINTAIN THE EQUIPMENT WHICH INCLUDES SEEING THAT ALL NAME PLATES, PRECAUTIONARY AND INSTRUCTIONAL MARKINGS, AND/OR LABELING IS IN PLACE AND LEGIBLE. PLEASE FOLLOW THE INSTRUCTIONS BELOW TO AFFIX NEW LABELING TO THE EQUIPMENT.
1. THE AREA WHERE THE NEW REPLACEMENT LABELING WILL BE APPLIED SHOULD BE FREE OF ALL DIRT, GREASE AND GRIME.
  2. THE PAINTED SURFACE SHOULD BE SMOOTH AND FREE OF ANY RUST. IF RUSTED, SAND SMOOTH, CLEAN AND REPAINT BEFORE ATTEMPTING TO AFFIX NEW LABELS.
  3. PEEL OFF BACKING AND APPLY LABEL USING CARE TO REMOVE AIR BUBBLES AS YOU APPLY THE LABEL.
  4. PRESS LABEL DOWN FIRMLY WITH A SQUEEGEE OR ROLLER.

NOTE: SERIAL LABELS ARE PRINTED TO EACH JOB ORDER. LOCATE IN TWO PLACES (ONE ON BASE AND ONE ON UNDERSIDE OF PLATFORM)



ITEM NO.	QTY.	U/M	DESCRIPTION	PART NO.
3	EA		1K-LD DCL 9,00X1.50 2000 LB. CAPACITY	C165ST-20
2	EA		LD DCL 3.00X5.00 CAUTION; DO NOT USE IF	C178
1	EA		1K-LD DCL 3.00 HELP LINE	30000414

<b>PRESTO LIFTS</b>		DR	CTM	DATE
50 Commerce Way, Norton MA 02766		DR	CTM	DATE
PROJECT: _____		SCALE	1:10	ACROSS
PAGE CODE: 06328		HT	LB	
USE OF PROPRIETARY INFORMATION LIMITED TO WRITTEN AGREEMENT		C PL DIAG SHEET 1 OF 1 REV		

Figure 4: Labels and Locations

## Table 1 – Hydraulic Oil Specifications

If the lift will be used at normal ambient temperatures, Presto Lifts supplies the unit with Conoco Super Hydraulic 32 oil. This may be replaced by any other good quality oil with 150 SSU at 100° F and rust and oxidation inhibitors and anti-wear properties.

If the lift will be used at ambient temperatures below 0°F, use aircraft hydraulic oil. Use Type 15 aircraft hydraulic oil.

The following are equivalent to CONOCO SUPER HYDRAULIC 32:

TYPE	MANUFACTURER
AW32 .....	CITGO
DTE 24 .....	EXXON/MOBIL
NUTO H32 .....	EXXON/MOBIL
AMOCO AW32 .....	CHEVRON (AMOCO CO.)



**It is very important to keep the hydraulic oil free of dirt, dust, metal chips, water, and other contamination. Most of the problems with hydraulic systems are caused by contamination in the oil.**

## Ordering Replacement Parts

Presto Lifts has carefully chosen the components in your unit to be the best available for the purpose. Replacement parts should be identical to the original equipment. Presto Lifts will not be responsible for equipment failures resulting from the use of incorrect replacement parts or from unauthorized modifications to the unit.

Presto Lifts can supply all replacement parts for your lift. With your order, please include the model number and the serial number of the unit. You can find these numbers on the name plate. This plate is located within the scissors mechanism.

To order replacement parts, please call the Presto Parts Department. Parts are shipped subject to the following terms:

- FOB factory
- Returns only with the approval of our parts department.
- Credit cards preferred (except parts covered by warranty).
- Freight collect for truck (except parts covered by warranty).
- Freight – prepaid and invoice for small parcel shipments (except parts covered by warranty).
- The warranty for repair parts is 30 days from date of shipment.

Parts replaced under warranty are on a “charge-credit” basis. We will invoice you when we ship the replacement part, then credit you when you return the worn or damaged part, and we verify that it is covered by our warranty. Labor is not covered under warranty for Parts orders.

### Presto Parts Department

50 Commerce Way

Norton, MA 02766

Telephone: 800-343-9322

FAX: 888-788-6496

Email: [service@PrestoLifts.com](mailto:service@PrestoLifts.com)

**[www.PrestoLifts.com](http://www.PrestoLifts.com)**

## **PARTS**

Standard parts may be returned with a 20% restocking fee. Modified or custom-engineered parts are not returnable. Unfortunately, due to potentially concealed damage, all sales of electrical assemblies are final.

## **QUALITY ISSUES**

Should you feel there is a quality problem, please contact the seller to ask questions and gather information on how to rectify the issue. Presto Lift Inc. reserves the right to determine potential credits, as a result of factory defects, based on its inspection of the merchandise.

## **GENERAL**

All products shipped from our factory have passed Quality Assurance inspection and testing. The carrier of choice has signed for, and accepted the product in new working condition. The customer should inspect to ensure it is not received damaged, has no concealed damage or is not incomplete. Parts orders are determined to be complete based upon Presto Lift, Inc. inspection sheets and carrier shipping weights.

## RETURN GOODS AUTHORIZATION POLICY

Presto Lifts provides the Return Goods Authorization (RGA) Policy, for specific models, as a courtesy to our distributors in the event they do not receive what they ordered. If a customer wishes to return a Presto Lifts product, please contact the Customer Service Department and request an RGA number. This request must be made on or before the fifteenth calendar day following the date of Presto Lifts' invoice for the merchandise. Not all units are returnable. Quantity orders and special designs cannot be returned under any circumstances. Presto Customer Service reserves the right for final judgment on all product returns.

The RGA number must appear on the outside of any packaging material for a return to be accepted and processed by Presto Lifts. Customers shipping returns from the Continental US, Canada, or Mexico have thirty (30) days from date of RGA issue to have the product arrive at Presto Lifts' facility. All merchandise must arrive Free on Board at Presto Lifts' facility or the shipment will be refused and returned to the sender. All credits are issued less restocking and refurbishing charges, regardless if the merchandise was damaged in transit.

Return addresses: please refer to your RMA for the address to which your product should be returned.

Presto Lift Inc.  
715 Highway 77  
Manila, Arkansas 72442

Telephone: 800-343-9322  
Fax: 888-788-6496



# Presto Lifts Limited Warranty Policy

Presto Lifts warrants all of its products against defects in the welded structural frame and, if applicable, scissor legs from faulty material and workmanship for a period of five (5) years from the date of invoice.

All other components have a limited warranty against defects in faulty material and workmanship for a two (2) year period from the date of invoice and 30 day limited warranty on labor. Please note that prior authorization from Presto Lifts is required on all warranty work.

There are no implied warranties of any kind, more specifically, there are no warranties of merchantability or fitness for any particular purpose. Presto Lifts' sole warranty shall be as set forth in this limited warranty.

Presto Lifts will elect to repair or replace a defective component without charge, if any components should become defective within the limited warranty period. Proof of purchase is required for warranty. The charge for shipping the defective component is the responsibility of the buyer and must be accompanied with an RGA number. The shipping charge to return the component to the buyer is the responsibility of Presto Lifts, Inc.

This limited warranty does not cover labor expense for removal or reinstallation of components after thirty days. This limited warranty shall not cover, among other things: damages resulting from foreign matter or water, failure to provide reasonable and necessary maintenance, and if applicable, use of product while charger is plugged into an AC outlet, or failure to follow operating instructions. The limited warranty is not valid for damage resulting from negligence, accident, unreasonable use, abuse or misuse, exceeding data plate capacities or altering the product without Presto Lifts authorization.

Presto Lifts expressly disclaims and excludes any liability for consequential, incidental, indirect or punitive damages or financial loss to people or property resulting from any breach of warranty or the operation or failure of this product.

Presto Lifts makes no representation that this product complies with local, state, or federal safety/product standards codes. Should this product fail to comply in any way with those codes, it shall not be considered a defect of materials or workmanship. Presto Lifts shall not be held liable for any damages resulting from non-compliance. It is the dealer's responsibility to exercise this limited warranty. This limited warranty is provided to the original purchaser (defined as the original end user) and is nontransferable. This constitutes the complete and final agreement involving Presto Lifts and limited warranty obligations for products.