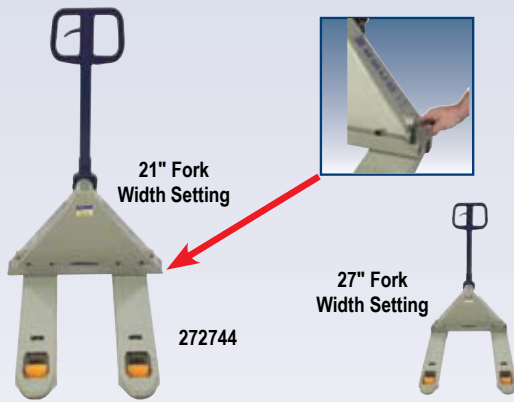


# WESCO DELUXE PALLET TRUCKS

**Deluxe Models feature 5 year pump warranty and 5,500 lb. capacity plus:**

- Pump overload bypass.
- Adjustable fork tie rods.
- 200° steering.
- 8 gauge 6" wide reinforced forks.
- Rubber coated handle.
- Exit rollers
- Tapered fork tips.



Adjustable fork width can be set from 21" to 27" or anywhere in between. Just loosen and reset front and rear adjusting bolts. **A Wesco exclusive One truck to do the work of two!**



## Foot Pump

Foot pedal gives you the option of using the foot pedal to raise the forks when space constraints make it difficult to use the standard handle to raise the load. **NO EXTRA COST**

## Deluxe Adjustable Fork Model

- 5 year pump warranty.
- 7.75" raised height.
- US Patent No. 6,540,241.
- 3" lowered height.
- 7" moldon polyurethane steering wheel.
- 6" wide forks.
- 3" moldon polyurethane load wheels.

## Deluxe Foot Pump Model

- 5 year pump warranty.
- All the same features and dimensions as Standard Deluxe Model 272748.
- 6" wide forks.

Part #	272744	272766
Capacity	5,500 lbs	5,500 lbs
W-1 x L-1	21" - 27" x 48"	27" x 48"
W-2	6"	6"
L-2	61"	63"
WHL-1 / WHL-2	7" / 3"	8" / 3"
H-1 / H-2 / H-3	47" / 3" / 8"	48" / 3" / 8"
Weight	180 lbs	170 lbs



## Deluxe Lowboy Models

- 5 year pump warranty.
- 2" steel load wheels.
- 2.125" lowered height.
- 6.25" raised height.
- 6" moldon polyurethane steering wheel.
- 6" wide forks.



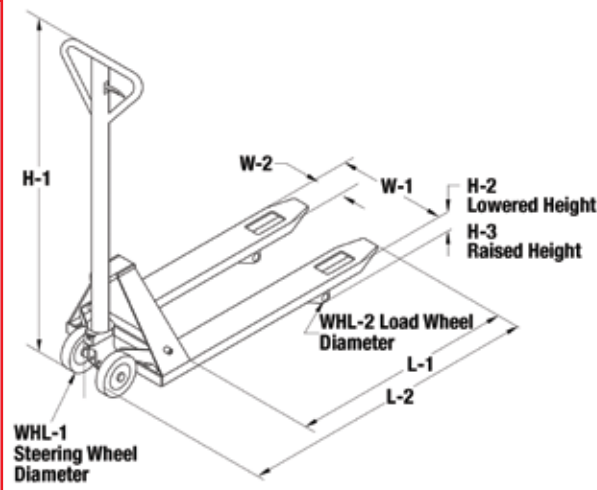
## Standard Deluxe Models

- 5 year pump warranty.
- 8" raised height.
- 8" moldon polyurethane steering wheel.
- 3" lowered height.
- 3" moldon polyurethane load wheels.
- 6" wide forks.

Part #	272760	272761	272762	272765	272136	272142	272148	272736	272742	272748
Capacity	5,500 lbs	5,500 lbs	5,500 lbs	5,500 lbs	5,500 lbs	5,500 lbs	5,500 lbs	5,500 lbs	5,500 lbs	5,500 lb
W-1 x L-1	21" x 36"	21" x 42"	21" x 48"	27" x 48"	21" x 36"	21" x 42"	21" x 48"	27" x 36"	27" x 42"	27" x 48"
W-2	6"	6"	6"	6"	6"	6"	6"	6"	6"	6"
L-2	51"	57"	63"	63"	51"	57"	63"	51"	57"	63"
WHL-1 / WHL-2	6" / 2"	6" / 2"	6" / 2"	6" / 2"	8" / 3"	8" / 3"	8" / 3"	8" / 3"	8" / 3"	8" / 3"
H-1 / H-2 / H-3	46.5" / 2.125" / 6.25"	46.5" / 2.125" / 6.25"	46.5" / 2.125" / 6.25"	46.5" / 2.125" / 6.25"	48" / 3" / 8"	48" / 3" / 8"	48" / 3" / 8"	48" / 3" / 8"	48" / 3" / 8"	48" / 3" / 8"
Weight	134 lbs	143 lbs	148 lbs	157 lbs	143 lbs	152 lbs	157 lbs	151 lbs	161 lbs	166 lbs

**SEE PAGE 41 FOR SCHEMATIC DRAWING.**

## REFERENCE SCHEMATIC FOR PAGES 40 & 41



272660

### CPI Pallet Truck

- 2 year pump warranty.
- 4 mm thick forks.
- Adjustable fork connecting rods.
- Overload bypass.
- Rubber coated handle.
- 7" moldon polyurethane steering wheels.
- 3" moldon polyurethane load wheels.
- Entry and Exit Rollers.
- 8 Gauge, 6" wide forks.
- 210° steering.

**PROVEN QUALITY LEADER!**  
Over 60,000 sold trouble free.



273448

### CP3 Pallet Truck

- 2 year pump warranty.
- 3 mm thick forks.
- Adjustable fork connecting rods.
- Overload bypass.
- Rubber coated handle.
- 7" moldon polyurethane steering wheels.
- 3" moldon polyurethane load wheels.
- Entry and Exit Rollers.
- 210° steering.

Part #	272655	272656	272657	272658	272659	272660	273453	273454	273448
Capacity	5,500 lbs	5,500 lbs	5,500 lbs	5,500 lbs	5,500 lbs	5,500 lbs	5,500 lbs	5,500 lbs	5,500 lbs
W-1 x L-1	21" x 36"	21" x 42"	21" x 48"	27" x 36"	27" x 42"	27" x 48"	21" x 36"	21" x 48"	27" x 48"
W-2	6"	6"	6"	6"	6"	6"	6"	6"	6"
L-2	51"	57"	63"	51"	57"	63"	51"	63"	63"
WHL-1 / WHL-2	7" / 3"	7" / 3"	7" / 3"	7" / 3"	7" / 3"	7" / 3"	7" / 3"	7" / 3"	7" / 3"
H-1 / H-2 / H-3	48.25" / 29" / 7.25"	48.25" / 29" / 7.25"	48.25" / 29" / 7.25"	48.25" / 29" / 7.25"	48.25" / 29" / 7.25"	48.25" / 29" / 7.25"	48.25" / 29" / 7.25"	48.25" / 29" / 7.25"	48.25" / 29" / 7.25"
Weight	168 lbs	180 lbs	189 lbs	178 lbs	186 lbs	196 lbs	166 lbs	187 lbs	194 lbs

Distributed By: Custom Equipment Company

866-333-0728

Sales: tom@custommhs.com

www.custommhs.com