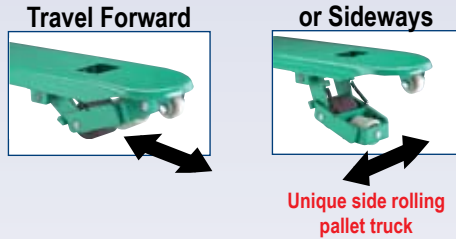
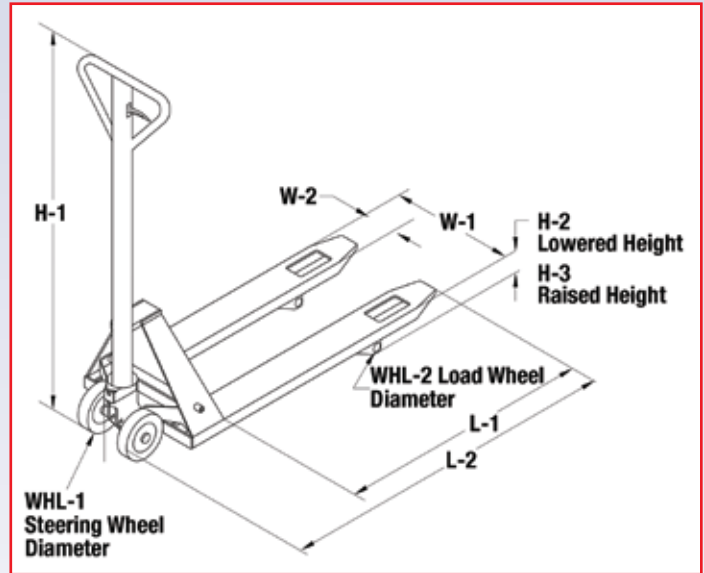


UNIQUE DESIGN TRANS-ROLLER TRUCKS MOVE FORWARD OR SIDWAYS



TransRoller Pallet Truck

- **3 year pump warranty.**
- Lowered height 3.4". Raised height 8.5".
- Fork height in standard mode 3.4" lowered, 7" raised.
- Fork height for lateral movement 7.25" lowered, 8.5" raised.
- Adjustable fork connecting rods.
- Overload bypass.
- Ergonomic rubber coated handle.
- Entry rollers.
- 7" wide forks.
- 8" moldon polyurethane steering wheels.
- 3" moldon polyurethane load wheels.



Long Fork Pallet Truck

- **2 year pump warranty.**
- Pump, load wheels and steering wheels same as CPI model.
- Overload bypass.
- Rubber coated handle.
- 7" moldon polyurethane steering wheels.
- 3" moldon polyurethane load wheels.
- **70" and 78" long forks.**
- 78" forks handle 2 standard size pallets.



Stainless Steel Pallet Truck

- **1 year pump warranty.**
- All parts are made of stainless.
- For use in food industry and areas where corrosive solutions are used.
- 6 1/4" wide forks.
- 7" nylon steering wheels.
- 3" nylon load wheels.

Part #	272740	272701	273519	272152
Model #		PT70	PT78	
Capacity	Standard - 5,000 lbs/ Lateral 2,200 lbs	4,400 lbs	4,400 lbs	4,400 lbs
W-1 x L-1	27" x 48"	27" x 70"	27" x 78"	27" x 48"
W-2	7"	6"	6"	6.25"
L-2	63"	86"	86"	63"
WHL-1 / WHL-2	8" / 3"	7" / 3"	7" / 3"	7" / 3"
H-1/H-2/H-3	Std. mode - 48" / 3.4" / 7" Lateral mode - 48" / 3.4" / 8.5"	49" / 3" / 8"	49" / 3" / 8"	48" / 3" / 8"
Weight	210 lbs	308 lbs	320 lbs	172 lbs

Distributed By:
Custom Equipment Company
Tom McGovern
866-333-0728
Sales: tom@custommhs.com
www.custommhs.com