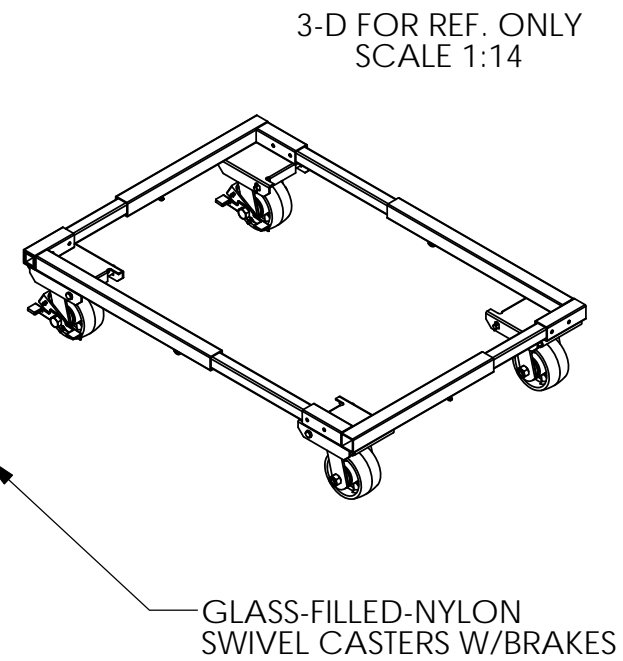
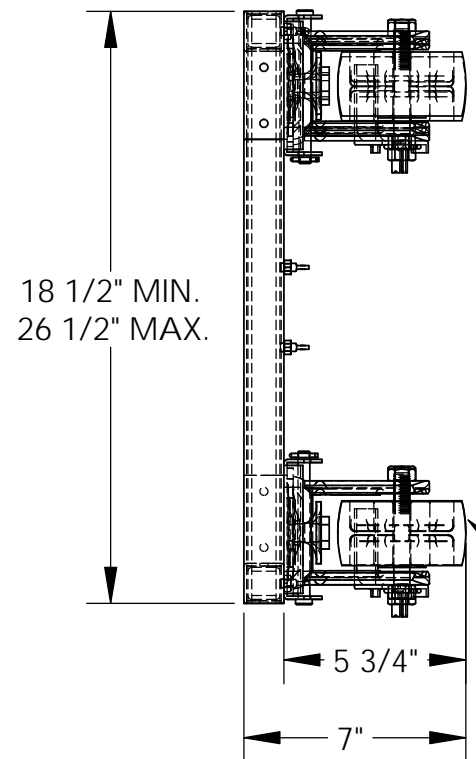
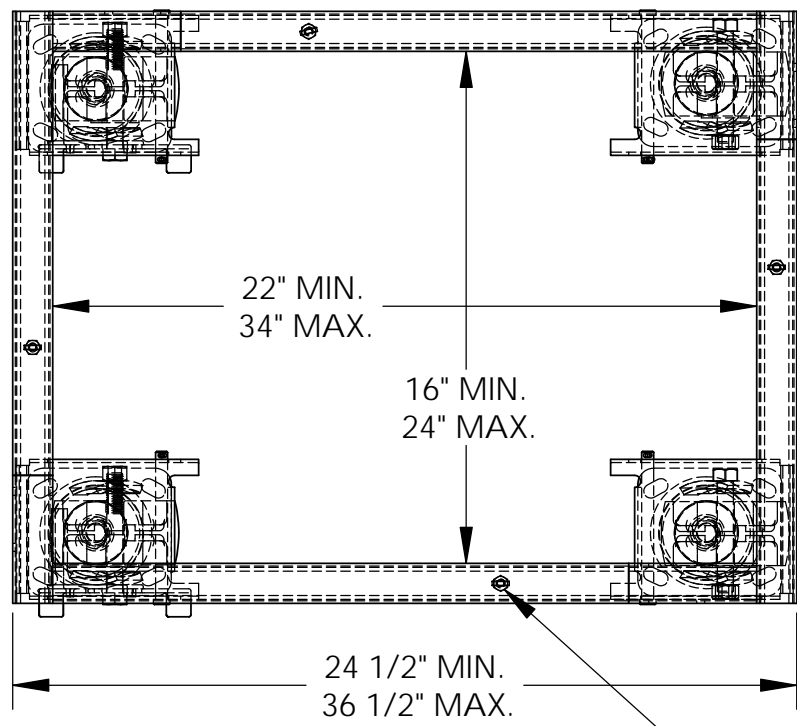


# ADJUSTABLE TOTE DOLLIES - ATD-1622-4

APPROX WEIGHT: 33.31 lbs.  
 DOES NOT INCLUDE WEIGHT OF POWER OR PACKAGING!!!

\*\*\* ANY ADDITIONS, DELETIONS, OR OMISSIONS MUST BE CORRECTED ON THIS DRAWING AS THIS DRAWING WILL BE CONSIDERED ALL INCLUSIVE \*\*\*

ALL GRAPHICS PROVIDED ARE FOR REFERENCE ONLY. IF CERTAIN DIMENSIONS ARE CRITICAL PLEASE VERIFY THOSE DIMENSIONS WITH YOUR SALESPERSON



THUMB SCREW

## STANDARD FEATURES

- MODEL NUMBER IS ATD-1622-4
- CAPACITY IS 2,000 LBS.
- OVERALL WIDTH IS 18 1/2" TO 26 1/2"
- USABLE WIDTH IS 16" TO 24"
- OVERALL LENGTH IS 24 1/2" TO 36 1/2"
- USABLE LENGTH IS 22" TO 34"
- OVERALL HEIGHT IS 7"
- USABLE HEIGHT IS 5 3/4"
- CASTERS: 4 X 2 GLASS-FILLED-NYLON CASTER
  - 2- SWIVEL CASTERS
  - 2- SWIVEL CASTERS W/ BRAKE

## SPECIAL FEATURES

NONE

I, THE UNDERSIGNED, AGREE THAT THE PRODUCT AS REPRESENTED SATISFIES DESIGN AND DIMENSION REQUIREMENTS. I ALSO ACKNOWLEDGE MY DUTY TO CONFIRM PRODUCT AND INSTALLATION COMPLIANCE WITH ALL APPLICABLE FEDERAL, STATE AND LOCAL REGULATIONS AND STANDARDS.

**ALL SPECIAL UNITS ARE NON-RETURNABLE**

[ ] As drawn      [ ] As marked

Signed: \_\_\_\_\_ Date: \_\_\_\_\_

LEAD TIME WILL START UPON RECEIPT OF SIGNED APPROVAL DRAWING

DISTRIBUTOR'S NAME:		P.O.#
VESTIL MANUFACTURING		X
DRAWN BY: CA		W.O.#
DATE: 09/27/2011		X
REFERENCE: X	SCALE: 1:6	SALES: X
QUOTED LEAD TIME: X	QUOTE #	FILE NAME:
X	X	32-007-033