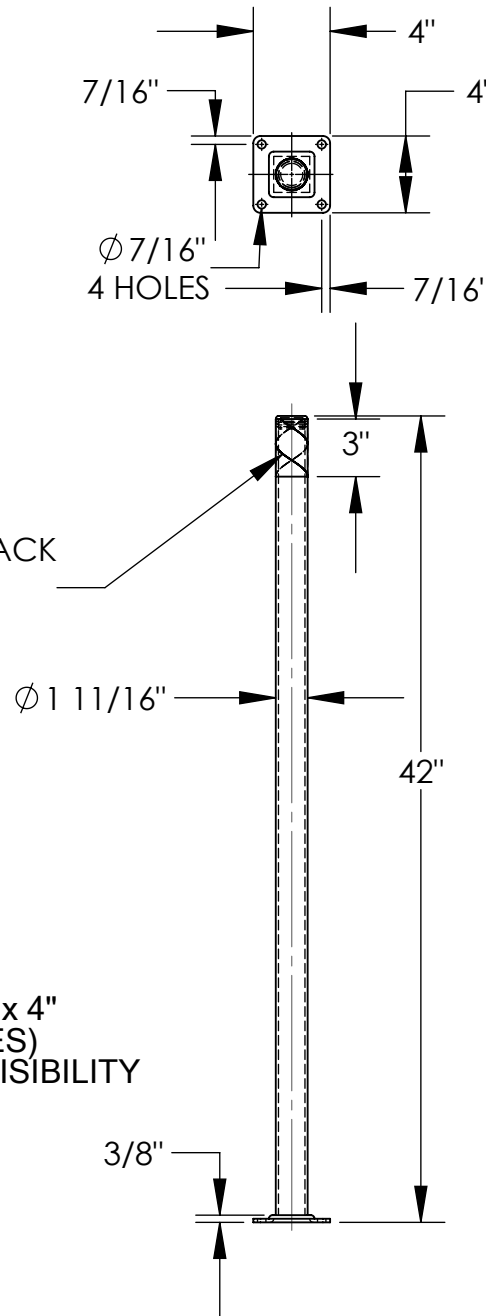


STEEL PIPE SAFETY BOLLARD - BOL-42-2

APPROX WEIGHT: 8.71 lbs.
 DOES NOT INCLUDE WEIGHT OF POWER OR PACKAGING!!!

*** ANY ADDITIONS, DELETIONS, OR OMISSIONS MUST BE CORRECTED ON THIS DRAWING AS THIS DRAWING WILL BE CONSIDERED ALL INCLUSIVE ***

ALL GRAPHICS PROVIDED ARE FOR REFERENCE ONLY. IF CERTAIN DIMENSIONS ARE CRITICAL PLEASE VERIFY THOSE DIMENSIONS WITH YOUR SALESPERSON



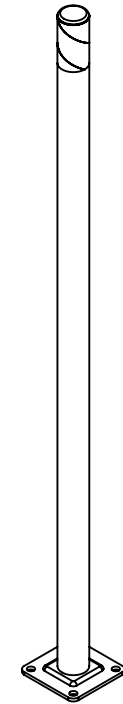
YELLOW AND BLACK HAZARD TAPE

STANDARD FEATURES

MODEL NUMBER IS BOL-42-2
 OVERALL WIDTH IS 4 INCHES
 OVERALL LENGTH IS 4 INCHES
 OVERALL HEIGHT IS 42 INCHES
 PIPE DIA: 1 11/16
 LAG DOWN MOUNTING PLATE: 3/8" x 4" x 4"
 WITH 7/16" MOUNTING HOLES (4 PLACES)
 PAINTED SAFETY YELLOW FOR HIGH VISIBILITY
 3" YELLOW AND BLACK HAZARD TAPE

SPECIAL FEATURES

NONE



DIMENSION TOLERANCE $\pm 1/4"$

APPROVAL

I, THE UNDERSIGNED, AGREE THAT THE PRODUCT AS REPRESENTED SATISFIES DESIGN AND DIMENSION REQUIREMENTS. I ALSO ACKNOWLEDGE MY DUTY TO CONFIRM PRODUCT AND INSTALLATION COMPLIANCE WITH ALL APPLICABLE FEDERAL, STATE AND LOCAL REGULATIONS AND STANDARDS.
ALL SPECIAL UNITS ARE NON-RETURNABLE
 As drawn As marked

Signed: _____ Date: _____

LEAD TIME WILL START UPON RECEIPT OF SIGNED APPROVAL DRAWING

DISTRIBUTOR'S NAME:		P.O.#
VESTIL MANUFACTURING		X
DRAWN BY: J.BRANDT		DATE: 07/22/14
REFERENCE: X		SCALE: 1:10
QUOTED LEAD TIME: X	QUOTE # X	FILE NAME: 23-007-114