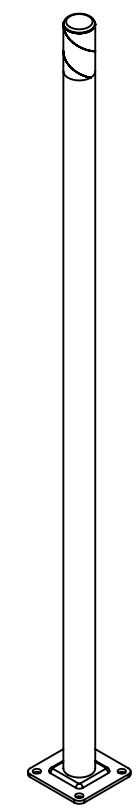
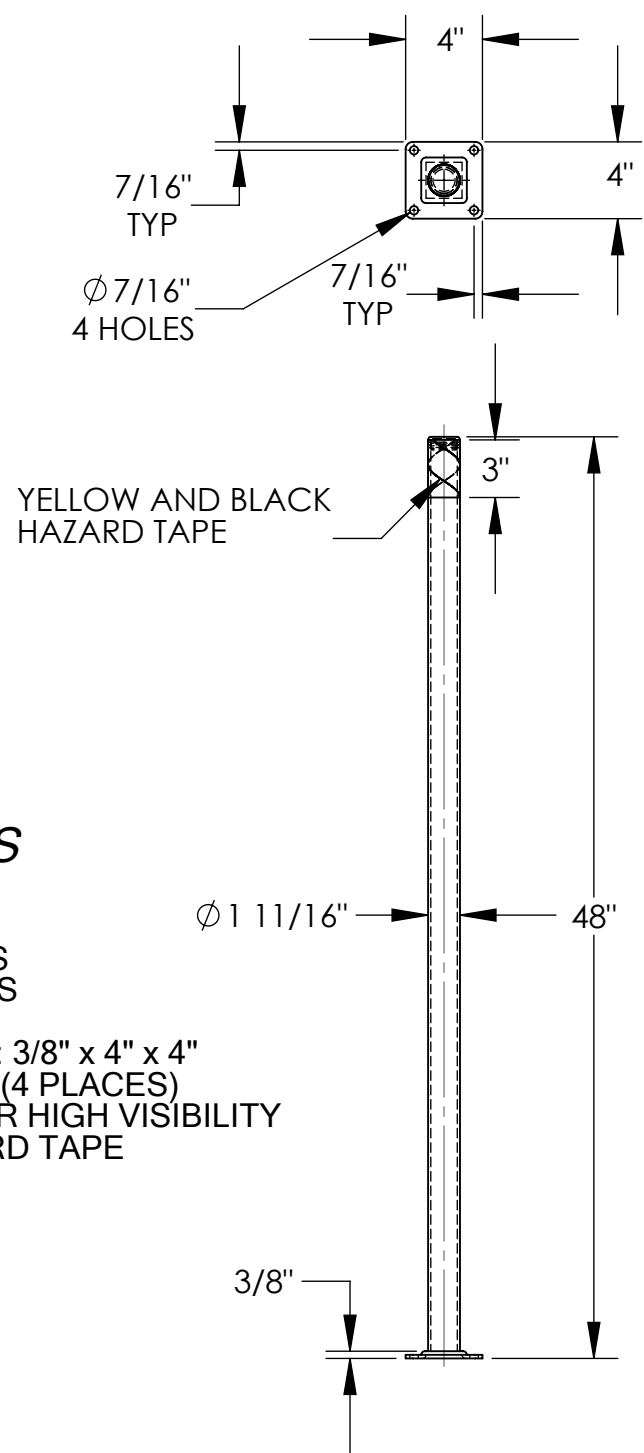


STEEL PIPE SAFETY BOLLARD - BOL 48-2

APPROX WEIGHT: 9.84 lbs.
 DOES NOT INCLUDE WEIGHT OF POWER OR PACKAGING!!!

*** ANY ADDITIONS, DELETIONS, OR OMISSIONS MUST BE CORRECTED ON THIS DRAWING AS THIS DRAWING WILL BE CONSIDERED ALL INCLUSIVE ***

ALL GRAPHICS PROVIDED ARE FOR REFERENCE ONLY. IF CERTAIN DIMENSIONS ARE CRITICAL PLEASE VERIFY THOSE DIMENSIONS WITH YOUR SALESPERSON



STANDARD FEATURES

- MODEL NUMBER IS BOL-48-2
- OVERALL WIDTH IS 4 INCHES
- OVERALL LENGTH IS 4 INCHES
- OVERALL HEIGHT IS 48 INCHES
- PIPE DIA: 1 11/16
- LAG DOWN MOUNTING PLATE: 3/8" x 4" x 4"
- WITH 7/16" MOUNTING HOLES (4 PLACES)
- PAINTED SAFETY YELLOW FOR HIGH VISIBILITY
- 3" YELLOW AND BLACK HAZARD TAPE

SPECIAL FEATURES

NONE

DIMENSION TOLERANCE $\pm 1/4$ "

APPROVAL

I, THE UNDERSIGNED, AGREE THAT THE PRODUCT AS REPRESENTED SATISFIES DESIGN AND DIMENSION REQUIREMENTS. I ALSO ACKNOWLEDGE MY DUTY TO CONFIRM PRODUCT AND INSTALLATION COMPLIANCE WITH ALL APPLICABLE FEDERAL, STATE AND LOCAL REGULATIONS AND STANDARDS.

ALL SPECIAL UNITS ARE NON-RETURNABLE

As drawn As marked

Signed: _____ Date: _____

LEAD TIME WILL START UPON RECEIPT OF SIGNED APPROVAL DRAWING

DISTRIBUTOR'S NAME:		P.O.#
VESTIL MANUFACTURING		X
DRAWN BY: J.BRANDT		DATE: 07/22/08
REFERENCE: X		SCALE: 1:10
QUOTED LEAD TIME: X	QUOTE # X	FILE NAME: 23-007-016