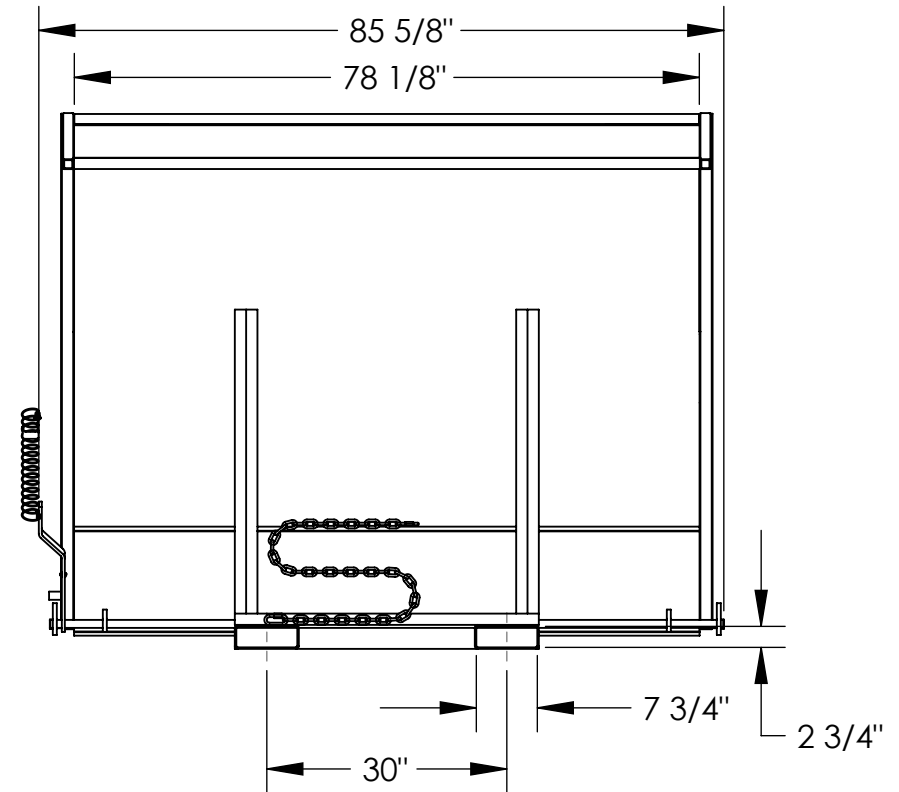
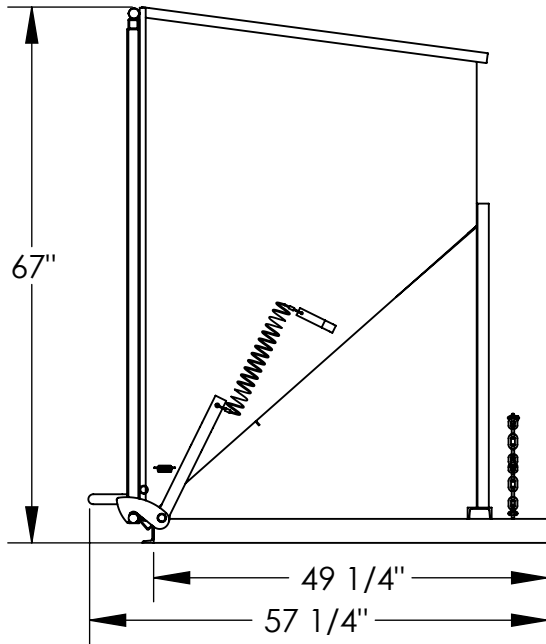


# STEEL CHUTE HOPPER - C-HOP-300

APPROX WEIGHT: 794.87 lbs.  
DOES NOT INCLUDE WEIGHT OF POWER OR PACKAGING!!!

\*\*\* ANY ADDITIONS, DELETIONS, OR OMISSIONS MUST BE CORRECTED ON THIS DRAWING AS THIS DRAWING WILL BE CONSIDERED ALL INCLUSIVE \*\*\*

ALL GRAPHICS PROVIDED ARE FOR REFERENCE ONLY. IF CERTAIN DIMENSIONS ARE CRITICAL PLEASE VERIFY THOSE DIMENSIONS WITH YOUR SALESPERSON



## STANDARD FEATURES

- CAPACITY: 2,000 LBS.
- VOLUME: 3 CUBIC YARDS
- OVERALL WIDTH: 85 5/8"
- OVERALL LENGTH: 57 1/4"
- OVERALL HEIGHT: 67"
- FORK POCKETS ARE 7 3/4" W x 2 3/4" H USABLE
- ON 30" CENTERS AND ARE 49 1/4" LONG
- PULL CABLE RELEASE
- AUTOMATIC DOOR RETURN AND LATCH
- SAFETY CHAIN TO SECURE TO TRUCK
- PAINTED BLUE

## SPECIAL FEATURES

NONE

NEVER EXCEED LOAD CENTER RATING PER FORK TRUCK MANUFACTURER'S GUIDELINES.  
DO NOT USE THIS FORK TRUCK ATTACHMENT IF LOAD WILL EXCEED FORK TRUCK MANUFACTURER'S LOAD CENTER RATING.

<b>A P P R O V A L</b>	I, THE UNDERSIGNED, AGREE THAT THE PRODUCT AS REPRESENTED SATISFIES DESIGN AND DIMENSION REQUIREMENTS. I ALSO ACKNOWLEDGE MY DUTY TO CONFIRM PRODUCT AND INSTALLATION COMPLIANCE WITH ALL APPLICABLE FEDERAL, STATE AND LOCAL REGULATIONS AND STANDARDS. <b>ALL SPECIAL UNITS ARE NON-RETURNABLE</b> <input type="checkbox"/> As drawn <input type="checkbox"/> As marked	
	Signed: _____ Date: _____  LEAD TIME WILL START UPON RECEIPT OF SIGNED APPROVAL DRAWING	

DISTRIBUTOR'S NAME:		P.O.#
VESTIL MANUFACTURING		X
DRAWN BY:		W.O.#
X	DATE:	X
	XX/XX/XX	SALES:
	SCALE: 1:24	X
REFERENCE:	QUOTE #	FILE NAME:
X	X	37-007-046