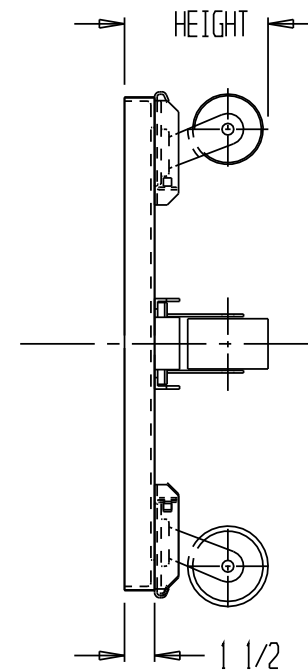
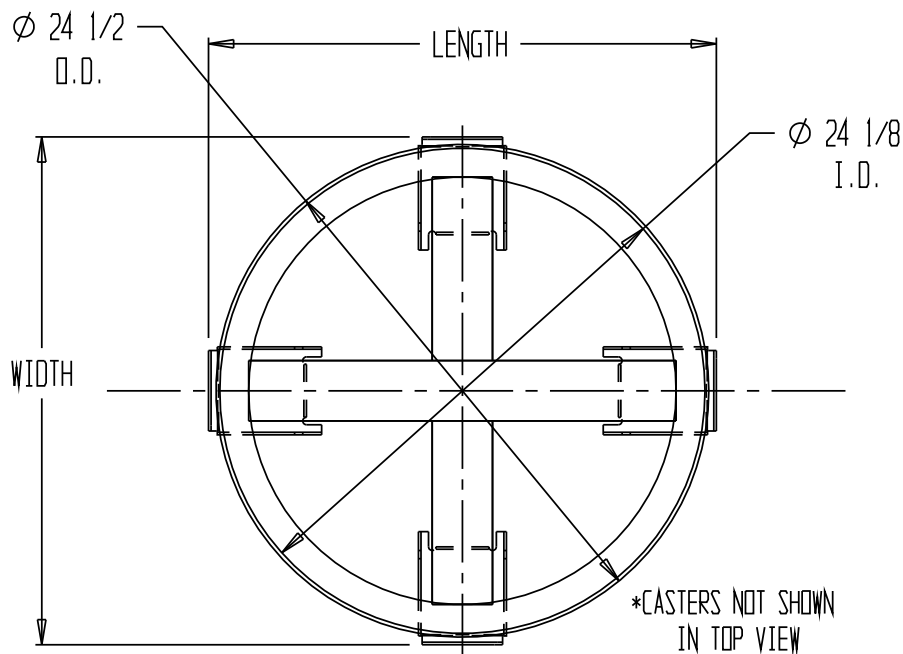


**SPECIAL UNITS ARE NON-RETURNABLE
 *AVAILABLE AT ADDITIONAL COSTS

HEAVY DUTY DRUM DOLLY - DRUM-HD



PRODUCTION WILL START UPON
 RECEIPT OF SIGNED APPROVAL
 DRAWING

STANDARD FEATURES

MODEL NUMBER: DRUM-HD
 CAPACITY: 2,000 LBS
 OVERALL DIAMETER: 24 1/2"
 INSIDE DIAMETER: 24 1/8"
 OVERALL HEIGHT: 7 1/8"
 OVERALL LENGTH & WIDTH: 25 1/4"
 TRANSPORTS 55-GALLON DRUMS
 4 LOCKING SWIVEL PHENOLIC CASTERS STANDARD
 WEIGHT IS 47 LBS

* Due to industrial standard practices for rolling steel angle
 the tolerance on the OD of the angle is +/- 3/16"

SPECIAL FEATURES

NONE

APPROVAL

I, the undersigned, hereby approve this print
 As drawn As marked
 This includes my approval of design & dimensions.
 Signed: _____
 Date: _____

**Any additions, deletions or omissions must
 be corrected on this drawing, as this drawing
 will be considered allinclusive.**

*** ALL GRAPHICS PROVIDED ARE FOR REFERENCE ONLY.
 IF CERTAIN DIMENSIONS ARE CRITICAL PLEASE VERIFY
 THOSE DIMENSIONS WITH YOUR SALESPERSON. ***

DISTRIBUTOR'S NAME: T & S EQUIPMENT		P.O.#: -
DRAWN BY: K. YOUNG		DATE: 3/30/04
REFERENCE: -		SALES: -
-		DRWG./FILE NAME: 40-007-010
-		scale: 1:10