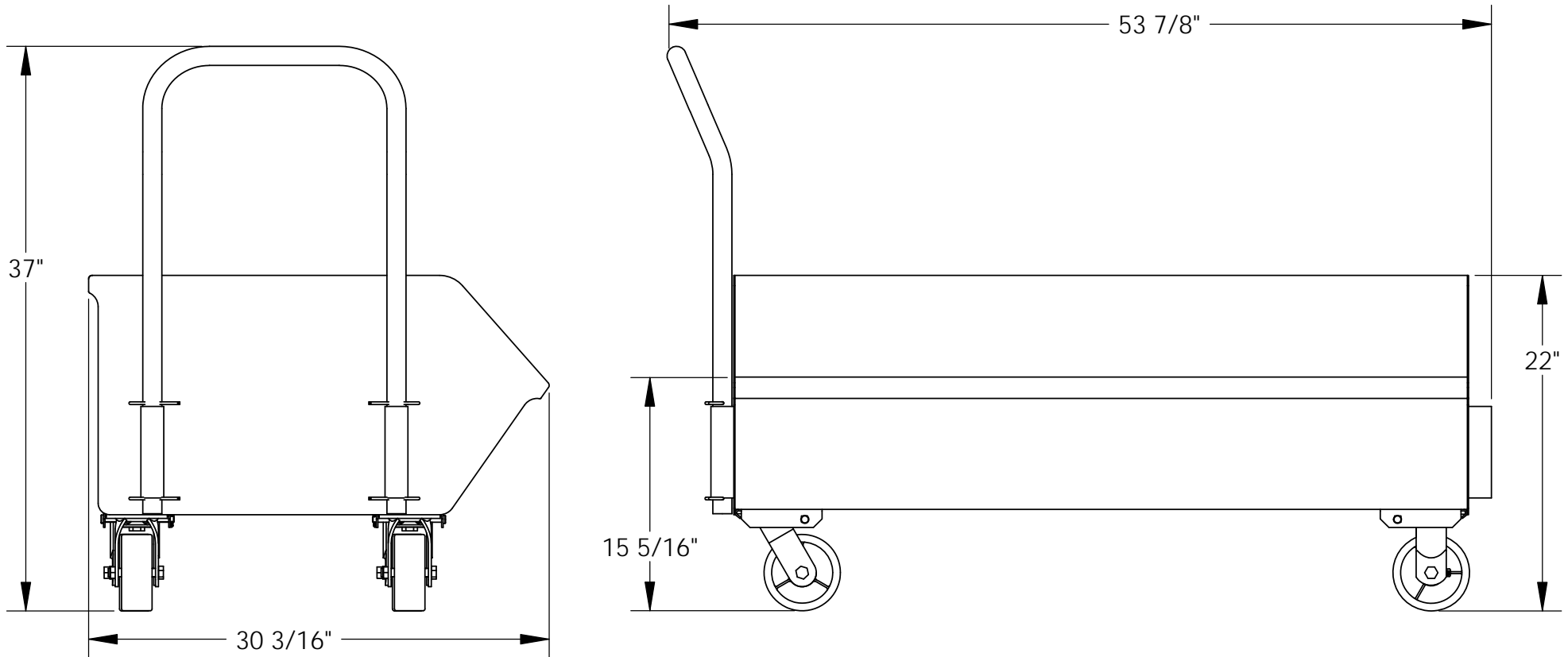


- LOW PROFILE HOPPER - MODEL: SLPT-33

APPROXIMATE WEIGHT IS: 117.5 lbs.

*** ANY ADDITIONS, DELETIONS, OR OMISSIONS MUST BE CORRECTED ON THIS DRAWING AS THIS DRAWING WILL BE CONSIDERED ALL INCLUSIVE ***

ALL GRAPHICS PROVIDED ARE FOR REFERENCE ONLY. IF CERTAIN DIMENSIONS ARE CRITICAL PLEASE VERIFY THOSE DIMENSIONS WITH YOUR SALESPERSON



STANDARD FEATURES

- OVERALL WIDTH IS: 30 3/16"
- OVERALL LENGTH: 53 7/8"
- OVERALL HEIGHT: 37"
- HOPPER BOX WIDTH: 28 1/4"
- HOPPER BOX LENGTH: 48"
- HOPPER BOX DEPTH: 15 1/4"
- HOPPER VOLUME: 9.6 cu-ft; 1/3 cu-yd
- HOPPER CAPACITY: 1000 lbs.
- REVERSABLE/ REMOVABLE HANDLE

SPECIAL FEATURES

NONE

**ALL SPECIAL UNITS
ARE NON-RETURNABLE**

APPROVAL	I, THE UNDERSIGNED, AGREE THAT THE PRODUCT AS REPRESENTED SATISFIES DESIGN AND DIMENSION REQUIREMENTS. I ALSO ACKNOWLEDGE MY DUTY TO CONFIRM PRODUCT AND INSTALLATION COMPLIANCE WITH ALL APPLICABLE FEDERAL, STATE AND LOCAL REGULATIONS AND STANDARDS.	
	ALL SPECIAL UNITS ARE NON-RETURNABLE [] As drawn [] As marked	
	Signed: _____	Date: _____
LEAD TIME WILL START UPON RECEIPT OF SIGNED APPROVAL DRAWING		

DISTRIBUTOR'S NAME:		P.O.#
VESTIL MANUFACTURING		W.O.#
DRAWN BY:	DATE:	SALES:
W. STALEY	3/7/08	
REFERENCE:	SCALE: 1:10	FILE NAME:
QUOTED LEAD TIME:	QUOTE #	37-007-070