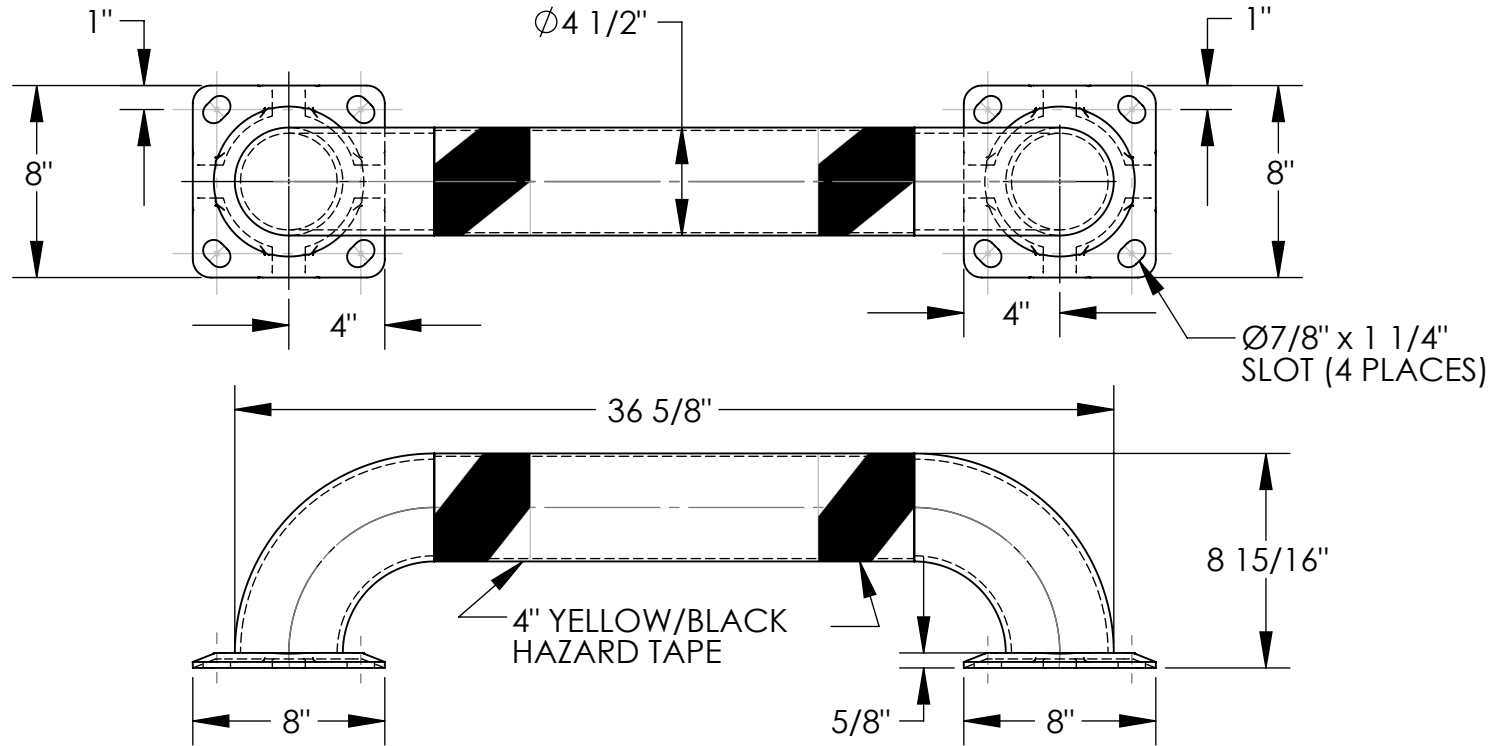


LOW PROFILE MACHINE GUARD - LPRO-SS-36-9-4

APPROX WEIGHT IS: 35.93 lbs.

*** ANY ADDITIONS, DELETIONS, OR OMISSIONS MUST BE CORRECTED ON THIS DRAWING AS THIS IS FOR REFERENCE ONLY. IF CERTAIN DIMENSIONS ARE CRITICAL PLEASE VERIFY THOSE DIMENSIONS



STANDARD FEATURES

MODEL NUMBER IS LPRO-SS-36-9-4
 MACHINE GUARD HEIGHT: 8 15/16 +/- 1/4"
 MACHINE GUARD LENGTH: 36 5/8"
 MACHINE GUARD PIPE DIA: 4 1/2"
 COMES EQUIPPED WITH A LAG DOWN BRACKET
 MATERIAL / FINISH: STAINLESS STEEL
 4" YELLOW AND BLACK HAZARD TAPE

WELDING MEETS AWS
 WARNING: CHECK APPLICABLE
 STATE AND LOCAL LAWS
 FOR YOUR AREA

SPECIAL FEATURES

NONE

ALL SPECIAL UNITS
 ARE NON-RETURNABLE

APPROVAL	I, the undersigned, hereby approve this print. This includes my approval of design & dimensions	
	<input type="checkbox"/> As drawn	<input type="checkbox"/> As marked
	Signed: _____ Date: _____	
	LEAD TIME WILL START UPON RECEIPT OF SIGNED APPROVAL DRAWING	

DISTRIBUTOR'S NAME: VESTIL MANUFACTURING		P.O.# X
DRAWN BY: ND	DATE: 6/2/05	SCALE: 1:8
REFERENCE: X	QUOTE # X	SALES: X
		FILE NAME: 23-007-057-002