

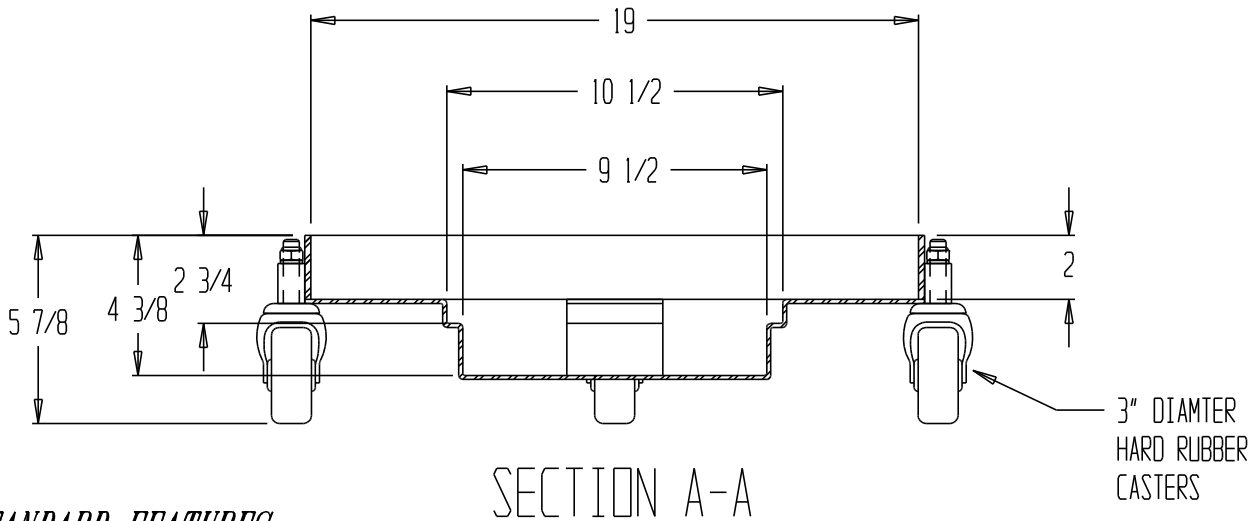
# DRUM TRI-H

MATERIAL THICKNESS IS 1/8 IN.

NOTE: CASTERS NOT SHOWN IN TOP VIEW

MATERIAL THICKNESS IS 3/16 IN.

NOTE:  
X'S ARE WELDS



SECTION A-A

## STANDARD FEATURES

MODEL NUMBER: DRUM-TRI-H  
CAPACITY: 900 LBS  
CASTER: HARD RUBBER

## APPROVAL

I, the undersigned, hereby approve this print  
 As drawn       As marked  
 This includes my approval of design & dimensions.  
 Signed: \_\_\_\_\_  
 Date: \_\_\_\_\_

PRODUCTION WILL START UPON  
RECEIPT OF SIGNED APPROVAL  
DRAWING

\*\*SPECIAL UNITS ARE NON-RETURNABLE  
\*AVAILABLE AT ADDITIONAL COSTS

DISTRIBUTOR'S NAME: <b>T &amp; S EQUIPMENT</b>		P.O.#: -
DRAWN BY: E. JOHNSON		W.O.#: -
DATE: 8/18/03		SALES: -
REFERENCE: -	scale: 1:6	DRWG./FILE NAME: 33-007-109