

MFG Tray ESD-safe conductive products have a surface resistivity of $<10^5$ to 10^6 ohms. Static dissipative products have surface resistivity between 10^5 to 10^{11} ohms. MFG Tray Fibrestat products meet or exceed ANSI/ESD S20.20 standard for ESD protection.

The material matters in ESD-safe material handling.

Complete ESD protection for sensitive electronic components

MFG Tray Fibrestat products are molded from high-strength, glass-reinforced composites and are specifically formulated to dissipate electrostatic discharge. The fiber component provides strength and dimensional stability, while the thermoset resin provides specific chemical, electrical and thermal properties. The high conductivity/low electrical resistance of MFG Tray's composite material are permanent properties that ensure the safe transfer of electrostatic discharge away from sensitive microprocessors, assemblies, loaded circuit boards and other electronic components for the life of the tray or container.



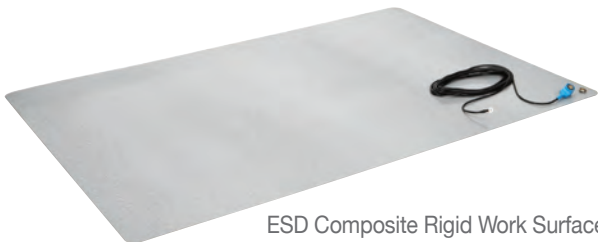
Exceptional performance and durability

Thanks to their composite design, MFG Tray Fibrestat products offer inherent strength and weight-carrying capacity per individual container or tray as well as exceptional stacking capability under heavy loads. They are ideal for machine integration and robotic applications, and can be used in temperatures ranging from -60° F (-51° C) to 250° F (121° C). Fibrestat products are resistant to detergents, cutting oils and alkaline solutions ranging from 3.0 to 10.0 pH. Unlike thermoplastic and corrugated products, Fibrestat composites offer ESD protection over the life of the product.

Variety of standard configurations and options

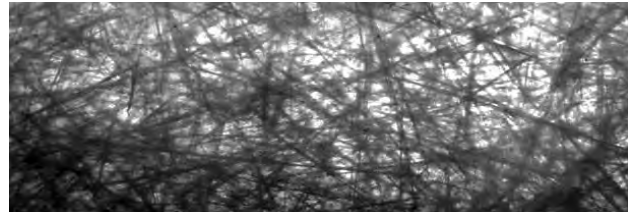
The MFG Tray Fibrestat line is comprised of a variety of products designed to safely and effectively convey, carry, accumulate and store static-sensitive parts and assemblies. Optional designs such as wiring ports, removed ends, specialized hand-holds, tray mats and other variations are also available. Contact the factory directly for additional sizes and more details about custom-fabricated products.

ESD Composite Work Surface

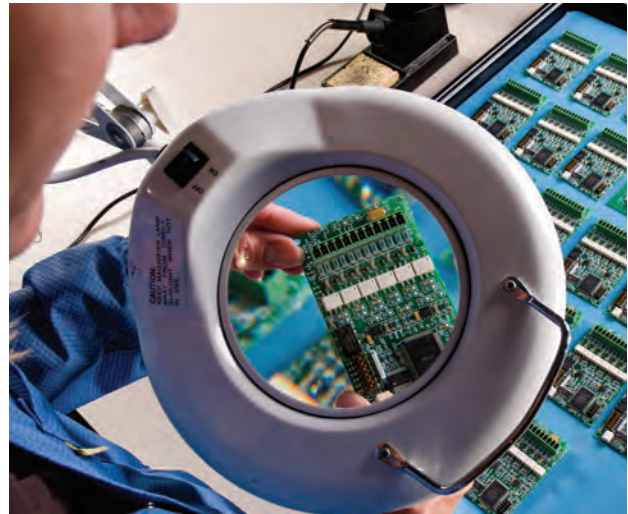


ESD Composite Rigid Work Surface

- Expressly designed for use in assembly, soldering and rework areas
- Comes complete with snap, 15' grounding cord and dual receptacle
- Resistant to chemicals, flux and hot solder
- **Specifications:**
 - Size: 24" x 36"
 - Thickness: .060"
 - Resistivity: 10^6 to 10^{11} ohms
 - Standard Color: Blue-gray



Fibers in MFG Tray products are multidirectional or random for optimal tensile and torsion strength of the finished part. Fiber lengths vary from 1" to 2". The composites can contain up to 35 percent of randomly oriented fibers by weight.



The MFG Fibrestat product line is comprised of standard and custom conveyor and assembly trays, shallow trays, cart transport trays, nesting and stacking containers and pallets.

ESD Specialty Conveyor Trays



ESD Specialty Conveyor Tray
Model No. 629000 and 629100

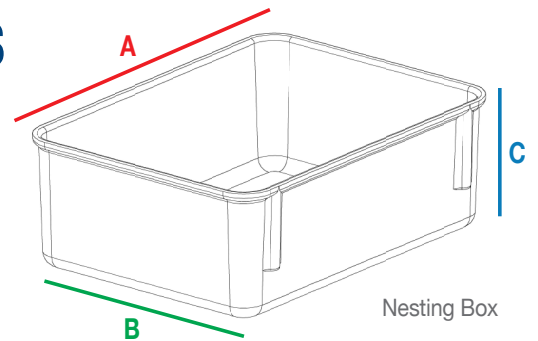
- Model 629000 features a textured bottom for improved contact with conveyors
- Model 629100 features a smooth bottom for use with light-sensitive sensors

Custom Equipment Company
Tom McGovern, 866-333-0728
Sales: tom@custommhs.com
www.custommhs.com

ESD Nesting Boxes with Lids

- Lids protect parts during storage and enable boxes to be stacked
- Available in a variety of lengths, widths and depths
- Smooth, radiused edges facilitate handling

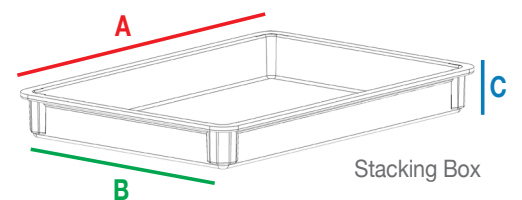
Product Name	Dimensions (L x W x H, inches)			Model No.
	A	B	C	
Nesting Box	21 1/4	15	5	330000
Lid	21	15	3/8	330119
Nesting Box	20 1/2	12	5	331000
Nesting Box	20 3/4	15 3/8	5	336009
Nesting Box	16 1/2	12	10	903140
Nesting Box	22 5/8	17 1/4	14	912140
Nesting Box	22 3/8	17	10	912240
Lid (912140, 912240)	23	17 5/8		912110
Nesting Box	20 1/2	17	10 3/8	919100
Nesting Box	20 1/2	17	12	919200
Lid	20 1/2	17		919110
Nesting Box	11 3/4	8 3/4	4 1/8	920100
Lid	11 3/4	8 3/4		920110
Nesting Box	6 1/8	4 7/8	2 1/8	921100
Lid	6 1/8	4 7/8		921110
Nesting Box	9 3/4	6 1/8	2 1/8	922100
Lid	9 3/4	6 1/8		922110
Nesting Box	9 3/4	9 1/4	4 1/2	923100
Lid	9 3/4	9 1/4		923110
Nesting Box	9 3/4	9 1/4	2 1/8	924100
Nesting Box	9 3/4	6 1/8	4 1/2	926100
Nesting Box	22	16 1/2	4 1/2	929000
Nesting Box	12 3/8	9 3/4	4 1/2	930100
Lid	12 3/8	9 3/4		930110
Nesting Box	28 7/8	20 3/8	4 1/2	931000



ESD Stacking Boxes

- Designed for parts containment and stacking
- Inherent strength and stability enables boxes to be stacked up to several feet high with complete dimensional stability
- Offered in a range of lengths, widths and depths

Product Name	Dimensions (L x W x H, inches)			Model No.
	A	B	C	
Stacking Box	24 1/2	21 3/4	2 5/8	220000
Stacking Box	27	21	2 5/8	221000
Stacking Box	18 3/4	11 7/8	1 3/4	804000
Stacking Box	25 3/4	17 3/4	1 1/8	806200
Stacking Box	22	12	1 1/4	808100
Stacking Box	23 3/8	12	3 1/8	808200





Stacking Box
Model No. 870000



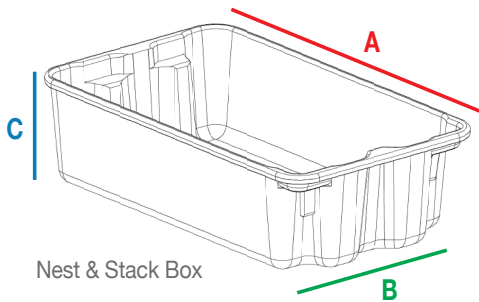
Stacking Box
Model No. 220000

ESD Stacking Boxes cont.

Product Name	Dimensions (L x W x H, inches)			Model No.
	A	B	C	
Lid	23 ³ / ₈	12		808210
Stacking Box	23 ³ / ₈	12	6	808300
Stacking Box	23 ³ / ₈	12	4 ³ / ₈	808400
Stacking Box	20 ³ / ₄	11 ¹ / ₄	3 ¹ / ₄	814100
Stacking Box	20 ³ / ₄	11 ¹ / ₄	5	814200
Stacking Box	25 ³ / ₄	15 ³ / ₄	7 ¹ / ₄	814300
Stacking Box	33 ¹ / ₈	15 ⁵ / ₈	8	814400
Stacking Box	20 ³ / ₄	11 ¹ / ₄	2 ³ / ₈	814700
Stacking Box	23	16 ³ / ₄	1 ¹ / ₈	820100
Stacking Box	23	22 ³ / ₄	8	826000
Stacking Box	22 ³ / ₄	22 ³ / ₄	1	827000
Stacking Box	32 ¹ / ₄	24 ¹ / ₂	1 ¹ / ₄	829000
Stacking Box	27 ¹ / ₈	12	2 ⁷ / ₈	846100
Stacking Box	27 ¹ / ₈	12	6 ⁷ / ₈	846200
Stacking Box	26	20	1 ¹ / ₂	848000
Stacking Box	25 ³ / ₄	17 ³ / ₄	3	870000
Stacking Box	25 ³ / ₄	17 ³ / ₄	4 ¹ / ₂	875000
Stacking Box	25 ³ / ₄	17 ³ / ₄	6	880000
Lid for 870, 875, 880	25 ³ / ₄	17 ³ / ₄		887000
Stacking Box	28	20	3	893100

ESD Nest & Stack Boxes

- Optional lids protect parts during storage
- Nest and stack design saves valuable space: stack when full, rotate 180 degrees and nest when empty
- Flared ends facilitate handling



Nest & Stack Box



Nest & Stack Box
Model No. 780400

Product Name	Dimensions (L x W x H, inches)			Model No.
	A	B	C	
Nest & Stack Box	23 ¹ / ₂	16 ¹ / ₈	10 ¹ / ₄	705400
Lid	23 ¹ / ₂	16 ¹ / ₈		705419
Nest & Stack Box	42 ¹ / ₂	20	14 ¹ / ₄	780000
Nest & Stack Box	42 ¹ / ₂	20	7 ¹ / ₂	780100
Lid	42 ¹ / ₂	20		780110
Nest & Stack Box	17 ⁷ / ₈	10 ⁵ / ₈	5	780200
Nest & Stack Box	19 ³ / ₄	12 ¹ / ₂	6	780300
Lid	19 ³ / ₄	12 ¹ / ₂		780310
Nest & Stack Box	20 ¹ / ₂	12 ⁷ / ₈	8	780400
Lid	20 ¹ / ₂	12 ⁷ / ₈		780410
Nest & Stack Box	24 ¹ / ₄	14 ³ / ₄	8	780500
Lid	24 ¹ / ₄	14 ³ / ₄		780510
Nest & Stack Box	25 ¹ / ₄	18	10	780600
Lid	25 ¹ / ₄	18		780610
Nest & Stack Box	27 ¹ / ₂	20	14 ¹ / ₈	780700
Lid	27 ¹ / ₂	20		780710
Nest & Stack Box	25 ¹ / ₄	18	6	780800

Custom Equipment Company
Tom McGovern, 866-333-0728
Sales: tom@custommhs.com
www.custommhs.com