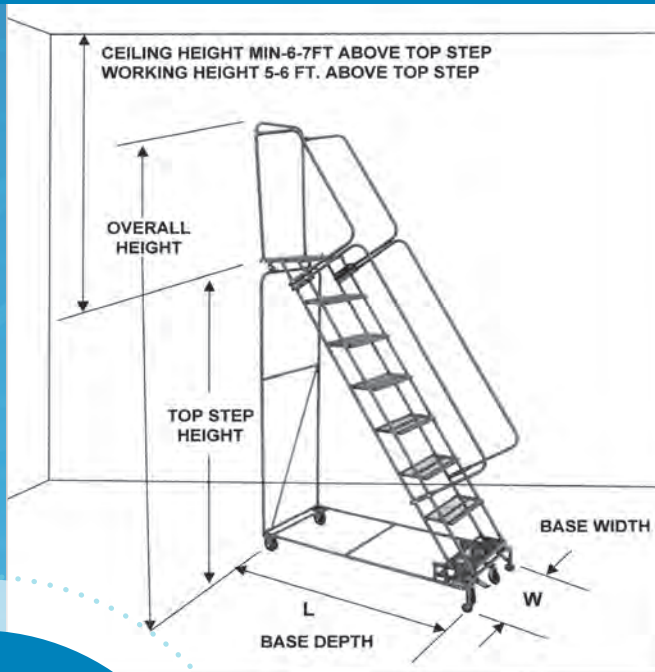




SELECTING THE RIGHT ROLLING LADDER

What to consider when selecting the proper ladder for your application.



Size Considerations

- Select Platform Height, also known as Top Step Height, based on operations to be performed.
- Platform Height is where the user generally stands. Make sure you have minimum clearance of 6 to 7 feet from the ceiling or any object suspended from the ceiling to insure the user has room to stand safely.
- Maintain maximum working height of 5 feet to 6 feet above the platform height.
- For larger ladders, choose a wide ladder over a narrow one if space permits. For bulky loads, consider a stairway slope ladder and/or deeper top step.

MORE SAVINGS

BALLYMORE'S PATENTED LADDER IN A BOX

- LOWERS SHIPPING COSTS
- MINIMIZES THE RISK OF FREIGHT DAMAGE
- BOXES STACK EASILY
allowing cost effective stocking of ladders



Patent No.:
US 7,828,115 B2



Weight Actuated Lockstep Ladder



Standard Lockstep Ladder



Spring Loaded Caster Ladder

Locking Mechanisms

- **Weight Actuated Lock Step:** This Patented state of the art lock step automatically actuates when 70 lbs. of weight is applied to the stair section. It is the safest and most durable lock step on the market today.
- **Standard Lock Step Ladder:** Ideal for applications 5 steps and above. These ladders are raised into the rolling position when the lock step is actuated. Releasing the lock step drops the ladder into the climbing position with the feet firmly on the floor.
- **Spring-loaded Casters:** Ideal for shorter ladders with 5 steps or less. On this style ladder, the wheels retract under the user's weight securing the ladder safely to the floor.

Climbing Position

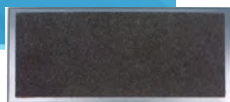
The rolling ladder is designed for the worker to face the steps when climbing or descending.

"Stairway Slope" ladders offer a more gradual 50 degree slope, which may be preferable when carrying heavy or bulky items up or down a ladder.

Material Type

- **Steel:** For all around general purpose.
- **Stainless:** For corrosive environment as well as outdoor use.
- **Aluminum:** Like Stainless they are corrosion resistant but approximately 1/3 the weight of steel or stainless.

TREAD SELECTION GUIDE



Abrasive Mat Tread (R): Provides non-slip footing for safe climbing. Perfect for clean retail or office environments.



Perforated Tread (P): Excellent slip resistance. Used extensively in retail and storeroom applications.



Expanded Metal Tread (X): This aggressive self-cleaning tread is ideal for the warehouse or retail floor & allows debris to fall through the tread



Serrated Tread (G): This most aggressive tread is ideal for the shop floor or any industrial application where maximum slip resistance is required.

STANDARD ROLLING LADDERS WITH SPRING LOADED CASTERS

- 500 lb. capacity • Working heights up to 12'
- Spring loaded swivel casters retract under user's weight
- 7" deep steps with 10" deep top step on 1 - 4 step models shown with (*) or (**) in the chart below
- 14" deep top step on 4 - 7 step FSH models
- **Specify tread type when ordering**
- 1 - 4 step ladders (*) & (**) ship unassembled in a box, and are eligible for UPS shipping
- 4 - 7 step FSH models ship unassembled
- Specify set-up (SU) if required***
- Available in all welded construction
- Gray powder coat finish
- Built to OSHA and ANSI standards
- CAL OSHA available



FSH526X

STEPS INCLUDING TOP STEP	HEIGHT INCHES		16" WIDE STEP			24" WIDE STEP		
	TOP STEP	OVER ALL	MODEL #	BASE W" x L"	WGT Lbs.	MODEL #	BASE W" x L"	WGT Lbs.
NO HANDRAILS								
1 STEP	12	12	118*	18 x 16	18	126*	26 x 16	20
2 STEP	19	19	218*	20 x 19	22	226*	30 x 19	28
3 STEP	28.5	28.5	318*	20 x 25	31	326*	30 x 25	36
4 STEP	38	38	418*	20 x 31	42	426*	30 x 31	51
WITH HANDRAILS								
2 STEP	19	49	*H218♦	20 x 19	36	*H226♦	30 x 19	42
3 STEP	28.5	58.5	*H318♦	20 x 25	45	*H326♦	30 x 25	50
4 STEP	38	68	*H418♦	20 x 31	56	*H426♦	30 x 31	65
4 STEP	40	73	FSH418	20 x 35	68	FSH426	30 x 35	80
5 STEP	50	83	FSH518	20 x 42	75	FSH526	30 x 42	87
6 STEP	60	93	FSH618	24 x 49	83	FSH626	30 x 49	98
7 STEP	70	103	FSH718	24 x 56	89	FSH726	30 x 56	108

*Eligible for UPS ♦ Handrails may ship in separate box

LOCK-N-STOCK AND NEW MODIFIED LOCK-N-STOCK

Both the Lock-N-Stock and new Modified Lock-N-Stock have a 58° slope and 7" Deep Steps. Our Standard Lock-N-Stock has 7" Deep Top Step where as our Modified Lock-N-Stock has a 10" Deep Top Step. Our Standard Lock-N-Stock has 22" high handles where as our Modified Lock-N-Stock has 30" handrails along with a rear guard rail.

MODEL NUMBER	STEPS INCLUDING TOP STEP	TOP STEP HEIGHT	WEIGHT LBS.	OPEN WIDTH & LENGTH	FOLDED SIZE	SHIPS UPS (Oversize)
LS2247	2 STEP	19"	31 lbs.	24 x 17	10 x 24 x 41	YES
LS3247	3 STEP	28.5"	37 lbs.	24 x 23	10 x 24 x 52	YES
LS4247	4 STEP	38"	44 lbs.	24 x 30	10 x 24 x 65	YES*
LS32410	3 STEP	28.5"	46 lbs.	24 x 28	14 x 24 x 62	YES*
LS42410	4 STEP	38"	52 lbs.	24 x 35	14 x 24 x 72	YES*

Now Available in Aluminum See Page 15 *Climb it, Roll it, Fold it & Store it!*



• Heavy duty rated for 350 lbs.

- Welded construction
- 16" wide perforated steps
- Standard Lock-n-Stock folds to approx. 10" deep, modified Lock-n-Stock folds to approx. 14" deep for easy storage
- Locks in the folded or climbing position
- Easy to maneuver in the open or closed positions
- Blue powder coat finish
- Built to ANSI standards



LS3247
LOCK-N-STOCK



LS42410
MODIFIED LOCK-N-STOCK



No Hinge to Break!