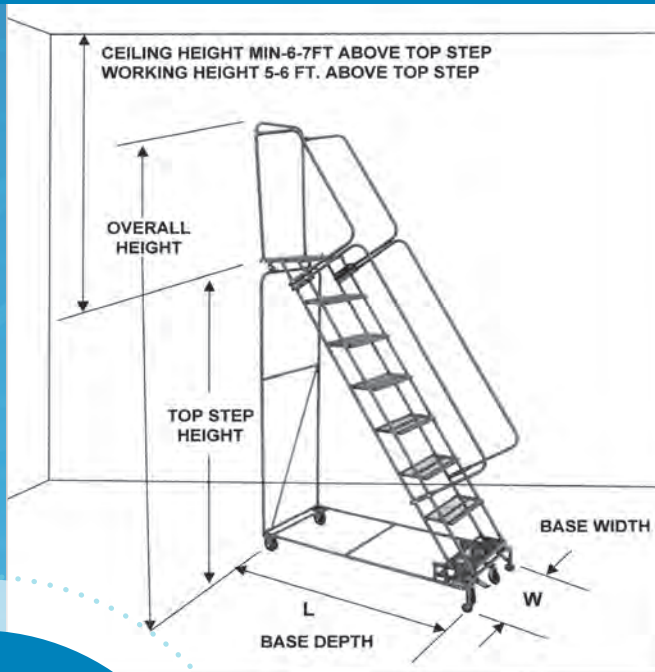




# SELECTING THE RIGHT ROLLING LADDER

What to consider when selecting the proper ladder for your application.



## Size Considerations

- Select Platform Height, also known as Top Step Height, based on operations to be performed.
- Platform Height is where the user generally stands. Make sure you have minimum clearance of 6 to 7 feet from the ceiling or any object suspended from the ceiling to insure the user has room to stand safely.
- Maintain maximum working height of 5 feet to 6 feet above the platform height.
- For larger ladders, choose a wide ladder over a narrow one if space permits. For bulky loads, consider a stairway slope ladder and/or deeper top step.

## MORE SAVINGS

BALLYMORE'S PATENTED LADDER IN A BOX

- LOWERS SHIPPING COSTS
- MINIMIZES THE RISK OF FREIGHT DAMAGE
- BOXES STACK EASILY  
*allowing cost effective stocking of ladders*



Patent No.:  
US 7,828,115 B2



Weight Actuated Lockstep Ladder



Standard Lockstep Ladder



Spring Loaded Caster Ladder

## Locking Mechanisms

- **Weight Actuated Lock Step:** This Patented state of the art lock step automatically actuates when 70 lbs. of weight is applied to the stair section. It is the safest and most durable lock step on the market today.
- **Standard Lock Step Ladder:** Ideal for applications 5 steps and above. These ladders are raised into the rolling position when the lock step is actuated. Releasing the lock step drops the ladder into the climbing position with the feet firmly on the floor.
- **Spring-loaded Casters:** Ideal for shorter ladders with 5 steps or less. On this style ladder, the wheels retract under the user's weight securing the ladder safely to the floor.

## Climbing Position

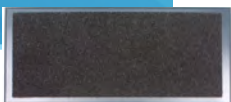
The rolling ladder is designed for the worker to face the steps when climbing or descending.

"Stairway Slope" ladders offer a more gradual 50 degree slope, which may be preferable when carrying heavy or bulky items up or down a ladder.

## Material Type

- **Steel:** For all around general purpose.
- **Stainless:** For corrosive environment as well as outdoor use.
- **Aluminum:** Like Stainless they are corrosion resistant but approximately 1/3 the weight of steel or stainless.

## TREAD SELECTION GUIDE



**Abrasive Mat Tread (R):** Provides non-slip footing for safe climbing. Perfect for clean retail or office environments.



**Perforated Tread (P):** Excellent slip resistance. Used extensively in retail and storeroom applications.



**Expanded Metal Tread (X):** This aggressive self-cleaning tread is ideal for the warehouse or retail floor & allows debris to fall through the tread



**Serrated Tread (G):** This most aggressive tread is ideal for the shop floor or any industrial application where maximum slip resistance is required.



# M-2000 SERIES ROLLING SAFETY LADDERS

- 450 LB. CAPACITY
- Easy to use foot-pedal activated lockstep
- High quality casters with bearing and dust cover
- 14" deep top step
- Ships unassembled for freight savings
- Available fully assembled, specify (SU) set-up
- Specify tread type when ordering
- Rigid 1" OD tubing
- 30" high handrails
- 21" & 28" deep top step available (see below)
- Available with rear guardrail removed for walk through
- Gray powder coat finish
- Built to OSHA and ANSI standards
- CAL OSHA available



14" DEEP TOP STEP

**Ballymore's Component Design with Replaceable Parts!**

**EXTEND LADDER LIFE AND UTILITY. LOCKSTEPS, HANDRAILS, BASE FRAMES AND REAR VERTICALS CAN BE REPLACED.**

POWDER COATED TOUGH™

# OF STEPS INCLUDING TOP STEP	HEIGHT INCHES		MODEL #	BASE W" x L"	WGT Lbs.
	TOP STEP	OVER ALL			
<b>16" WIDE STEP WITH 24" WIDE BASE</b>					
5 STEP	50"	83"	<b>052414</b>	24 x 43	91
6 STEP	60"	93"	<b>062414</b>	24 x 49	100
7 STEP	70"	103"	<b>072414</b>	24 x 55	109
8 STEP	80"	113"	<b>082414</b>	24 x 61	127
<b>24" WIDE STEP WITH 32" - 40" WIDE BASE</b>					
5 STEP	50"	83"	<b>053214</b>	32 x 43	110
6 STEP	60"	93"	<b>063214</b>	32 x 49	122
7 STEP	70"	103"	<b>073214</b>	32 x 55	143
8 STEP	80"	113"	<b>083214</b>	32 x 61	160
9 STEP	90"	123"	<b>093214</b>	32 x 68	175
10 STEP	100"	133"	<b>103214</b>	32 x 74	193
11 STEP	110"	143"	<b>113214</b>	32 x 80	205
12 STEP	120"	153"	<b>123214</b>	32 x 87	220
13 STEP*	130"	175"	<b>134014</b>	40 x 94	250
14 STEP*	140"	185"	<b>144014</b>	40 x 100	280
15 STEP*	150"	195"	<b>154014</b>	40 x 106	310

\*Must be skidded. See price sheet for skidding cost.

**Specify Tread Type when ordering**



Abrasive Mat Tread (R)



Perforated Tread (P)



Expanded Metal Tread (X)



Heavy Duty Serrated Grating (G)

For More Information: 866-333-0728

# M-2000 SERIES DEEP TOP STEP LADDERS

- 450 LB. CAPACITY
- All features of the standard M-2000 line with a 21" or 28" Deep Top Step to provide a larger and more comfortable work space
- Available with rear guardrail removed for walk through
- Side exit available on 28" deep top step models



21" or 28" DEEP TOP STEP

**Features choice of 21" or 28" deep top step**

POWDER COATED TOUGH™

# OF STEPS INCLUDING TOP STEP	HEIGHT INCHES		21" DEEP TOP STEP			28" DEEP TOP STEP		
	TOP STEP	OVER ALL	MODEL #	BASE W" x L"	WGT Lbs.	MODEL #	BASE W" x L"	WGT Lbs.
<b>16" WIDE STEP 24" WIDE BASE</b>								
5 STEP	50	83	<b>052421</b>	24 x 50	102	<b>052428</b>	24 x 57	113
6 STEP	60	93	<b>062421</b>	24 x 56	111	<b>062428</b>	24 x 63	122
7 STEP	70	103	<b>072421</b>	24 x 62	120	<b>072428</b>	24 x 69	131
8 STEP	80	113	<b>082421</b>	24 x 68	138	<b>082428</b>	24 x 75	149
<b>24" WIDE STEP 32" - 40" W BASE</b>								
5 STEP	50	83	<b>053221</b>	32 x 50	121	<b>053228</b>	32 x 57	132
6 STEP	60	93	<b>063221</b>	32 x 56	133	<b>063228</b>	32 x 63	144
7 STEP	70	103	<b>073221</b>	32 x 62	154	<b>073228</b>	32 x 69	165
8 STEP	80	113	<b>083221</b>	32 x 68	171	<b>083228</b>	32 x 75	182
9 STEP	90	123	<b>093221</b>	32 x 75	186	<b>093228</b>	32 x 82	197
10 STEP	100	133	<b>103221</b>	32 x 81	204	<b>103228</b>	32 x 88	215
11 STEP	110	143	<b>113221</b>	32 x 87	216	<b>113228</b>	32 x 94	227
12 STEP	120	153	<b>123221</b>	32 x 94	231	<b>123228</b>	32 x 101	242
13 STEP*	130	175	<b>134021</b>	40 x 101	261	<b>134028</b>	40 x 108	272
14 STEP*	140	185	<b>144021</b>	40 x 107	291	<b>144028</b>	40 x 115	302
15 STEP*	150	195	<b>154021</b>	40 x 113	321	<b>154028</b>	40 x 120	332