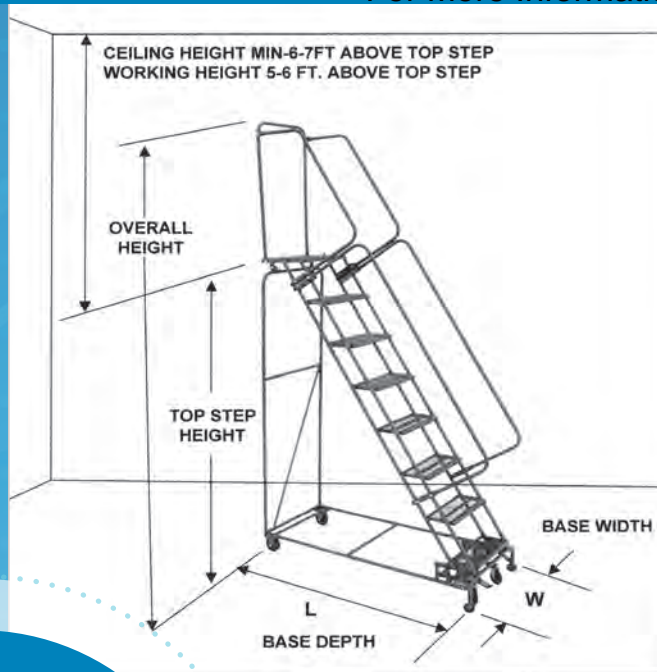




SELECTING THE RIGHT ROLLING LADDER

What to consider when selecting the proper ladder for your application.



Size Considerations

- Select Platform Height, also known as Top Step Height, based on operations to be performed.
- Platform Height is where the user generally stands. Make sure you have minimum clearance of 6 to 7 feet from the ceiling or any object suspended from the ceiling to insure the user has room to stand safely.
- Maintain maximum working height of 5 feet to 6 feet above the platform height.
- For larger ladders, choose a wide ladder over a narrow one if space permits. For bulky loads, consider a stairway slope ladder and/or deeper top step.

MORE SAVINGS

BALLYMORE'S PATENTED LADDER IN A BOX

- LOWERS SHIPPING COSTS
- MINIMIZES THE RISK OF FREIGHT DAMAGE
- BOXES STACK EASILY
allowing cost effective stocking of ladders



Patent No.:
US 7,828,115 B2



Weight Actuated Lockstep Ladder



Standard Lockstep Ladder



Spring Loaded Caster Ladder

Locking Mechanisms

- **Weight Actuated Lock Step:** This Patented state of the art lock step automatically actuates when 70 lbs. of weight is applied to the stair section. It is the safest and most durable lock step on the market today.
- **Standard Lock Step Ladder:** Ideal for applications 5 steps and above. These ladders are raised into the rolling position when the lock step is actuated. Releasing the lock step drops the ladder into the climbing position with the feet firmly on the floor.
- **Spring-loaded Casters:** Ideal for shorter ladders with 5 steps or less. On this style ladder, the wheels retract under the user's weight securing the ladder safely to the floor.

Climbing Position

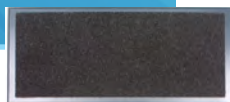
The rolling ladder is designed for the worker to face the steps when climbing or descending.

"Stairway Slope" ladders offer a more gradual 50 degree slope, which may be preferable when carrying heavy or bulky items up or down a ladder.

Material Type

- **Steel:** For all around general purpose.
- **Stainless:** For corrosive environment as well as outdoor use.
- **Aluminum:** Like Stainless they are corrosion resistant but approximately 1/3 the weight of steel or stainless.

TREAD SELECTION GUIDE



Abrasive Mat Tread (R): Provides non-slip footing for safe climbing. Perfect for clean retail or office environments.



Perforated Tread (P): Excellent slip resistance. Used extensively in retail and storeroom applications.



Expanded Metal Tread (X): This aggressive self-cleaning tread is ideal for the warehouse or retail floor & allows debris to fall through the tread



Serrated Tread (G): This most aggressive tread is ideal for the shop floor or any industrial application where maximum slip resistance is required.



50° SLOPE WALK DOWN LADDER

- 450 LB. CAPACITY
- 50° stairway slope allows easier climbing and descent
- Foot pedal activated lockstep
- 14" deep top step standard
- 21" and 28" deep top steps available
- Specify tread type when ordering
- Ships KD for freight savings
- Available fully assembled, specify (SU) set-up
- Available with rear guardrail removed for walk through
- Gray powder coat finish
- Meets OSHA & ANSI standards
- CAL OSHA available

HEAVY DUTY STAIRWAY SLOPE LADDER

- HEAVY DUTY - RUGGED 600 LBS. CAPACITY
- 50° stairway slope allows easier climbing and descent
- 14" deep Top Step for added comfort & safety
- 10" deep intermediate steps
- 21" and 28" deep top steps are available
- Easy operating lockstep secures ladder to the floor
- Gray powder coat finish
- All direction option available
- Available with rear guardrail removed for walk through
- Gray powder coat finish
- Meets OSHA & ANSI standards
- CAL OSHA available

LADDER REPLACEMENT PARTS & OPTIONS



14" DEEP TOP STEP



More Gradual Slope

Available with ALL DIRECTIONAL OPTION

Recommended on all 10, 11 & 12 step models

# OF STEPS INCLUDING TOP STEP	HEIGHT INCHES		MODEL #	BASE W" x L"	WGT Lbs.
	TOP STEP	OVER ALL			
16" WIDE STEP					
5 STEP	50"	83"	SW524	24 x 51	96
6 STEP	60"	93"	SW624	24 x 59	109
7 STEP	70"	103"	SW724	24 x 68	122
8 STEP	80"	113"	SW824	24 x 76	135
24" WIDE STEP					
5 STEP	50"	83"	SW532	32 x 51	115
6 STEP	60"	93"	SW632	32 x 59	120
7 STEP	70"	103"	SW732	32 x 68	139
8 STEP	80"	113"	SW832	32 x 76	165
9 STEP	90"	123"	SW932	32 x 84	180
10 STEP	100"	133"	SW1032	32 x 92	200
11 STEP	110"	143"	SW1132	32 x 101	210
12 STEP	120"	153"	SW1232	32 x 109	230

AVAILABLE TREAD TYPE OPTIONS:

- (P) Perforated (Standard) (R) Abrasive Mat
(G) Heavy Duty Serrated Grating (X) Expanded Metal



Base Frame & Rear Vertical Rugged 2" X 1" Tubing

21" or 28" DEEP TOP STEP



# OF STEPS INCLUDING TOP STEP	HEIGHT INCHES		MODEL #	BASE W" x L"	WGT Lbs.
	TOP STEP	OVER ALL			
5 STEP	50"	83"	HDS-5	32 x 50	132
6 STEP	60"	93"	HDS-6	32 x 58	152
7 STEP	70"	103"	HDS-7	32 x 66	178
8 STEP	80"	113"	HDS-8	32 x 74	204
9 STEP	90"	123"	HDS-9	32 x 82	227
10 STEP	100"	133"	HDS-10	32 x 90	245
11 STEP	110"	143"	HDS-11	32 x 98	278
12 STEP	120"	153"	HDS-12	32 x 106	297



AVAILABLE TREAD TYPES:

- (P) Perforated (Standard)
(G) Heavy Duty Serrated Grating
(R) Abrasive Mat
(X) Expanded Metal

PLEASE SPECIFY WHEN ORDERING

Optional Replaceable SKID PLATE FOR ROUGH SURFACES

Ladder Shelves & Trays

- Hanging Shelf
- Hanging Tray

PART #	DESCRIPTION	# PER SET
*PR-2	2" Replacement Casters Sets	4
*PR-3	3" Replacement Casters Sets	4
PS	Replacement Springs	4
PTHDS	Replacement Rubber Tips	4
SBR-4	4" Replacement Casters Sets	4
FW-2	10" Rubber Wheels	2
DONUTS	2.5" Donut Style Pads	2

Rear Exit or Side Exit Available

- 28" deep top step required for Side Exit
- Confirm freight classification & packing charge
- Not available on ladders with spring loaded casters
- See price list for cost

*Must specify # of steps and width (Set includes casters, springs, rubber tips and hardware)