

## Dunnage Racks -- 2000 Series

### APPLICATION:

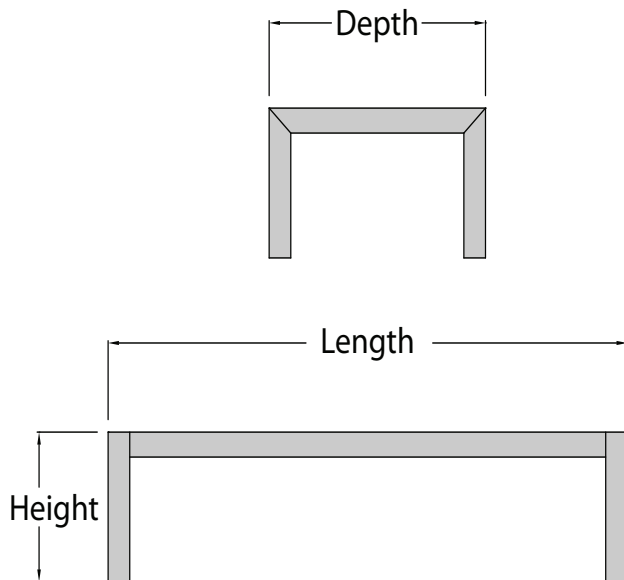
- These Dunnage Racks are a heavy-duty constructed rack.
- All welded aluminum design is great for keeping product organized and off the floor.

### MATERIAL:

- Framework is constructed of 1½" x 1¾" x .070" wall tubing.
- The legs are permanently sealed with welded aluminum caps.

### GUARANTEE:

- Five-Year Guarantee against material defects and workmanship.
- Lifetime Guarantee against rust and corrosion.



Model No.	Size D-H-L	Weight Capacity	# of Laterals	Ship Lbs.
2001	18" x 8" x 36"	3000 lbs.	4	9
2002	18" x 8" x 48"	2500 lbs.	4	11
2003	18" x 8" x 60"	2000 lbs.	4	13
2029	18" x 12" x 24"	3200 lbs.	4	7
2020	18" x 12" x 36"	3000 lbs.	4	10
2021	18" x 12" x 48"	2500 lbs.	4	14
2022	18" x 12" x 60"	2000 lbs.	4	17
2017	20" x 8" x 36"	3000 lbs.	4	9
2018	20" x 8" x 48"	2500 lbs.	4	12
2019	20" x 8" x 60"	2000 lbs.	4	13
2052	20" x 12" x 30"	3000 lbs.	4	10
2004	20" x 12" x 36"	3000 lbs.	4	11
2054	20" x 12" x 42"	3000 lbs.	4	13
2005	20" x 12" x 48"	2500 lbs.	4	15
2006	20" x 12" x 60"	2000 lbs.	4	18
2031	24" x 8" x 24"	3000 lbs.	5	9
2014	24" x 8" x 36"	2500 lbs.	5	11
2015	24" x 8" x 48"	2500 lbs.	5	14
2016	24" x 8" x 60"	2000 lbs.	5	17
2032*	24" x 8" x 72"	4000 lbs.	5	20
2013	24" x 12" x 24"	2500 lbs.	5	9
2062	24" x 12" x 30"	2500 lbs.	5	11
2008	24" x 12" x 36"	2500 lbs.	5	15
2064	24" x 12" x 42"	2500 lbs.	5	15
2009	24" x 12" x 48"	2500 lbs.	5	21
2033	24" x 12" x 54"	2000 lbs.	5	17
2010	24" x 12" x 60"	2000 lbs.	5	24
2012*	24" x 12" x 72"	4000 lbs.	5	27
2026	30" x 12" x 36"	3000 lbs.	6	14
2027	30" x 12" x 48"	3000 lbs.	6	19
2028	30" x 12" x 60"	2500 lbs.	6	20
2007*	30" x 12" x 72"	2500 lbs.	6	27

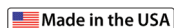
\* Models have 6 legs

### Options:

Removable Aluminum Cover — Call For Pricing

Custom Sizes Available — Call For Pricing

This information is for general sales and engineering use only. New Age Industrial reserves the right to modify or make changes at any time without notice to materials and specifications.



Distributed by: Custom Equipment Company  
 866-333-0728  
 sales@custommhs.com  
 www.custommhs.com