

EXTREME DUTY UTILITY CART

APPLICATION:

These two-tier units are ideal for use in coolers, freezers, and dry storage. The heavy-duty design will transport heavy loads up to 1500# per shelf or 2000# rolling capacity.

MATERIAL:

The framework on these carts is constructed out of 1 1/2"x1 1/2"x.070" wall tubing. Shelves are constructed of .080" thick aluminum sheet.

CASTERS:

These carts come equipped with four 6" platform type casters, two swivel and two rigid.

GUARANTEE:

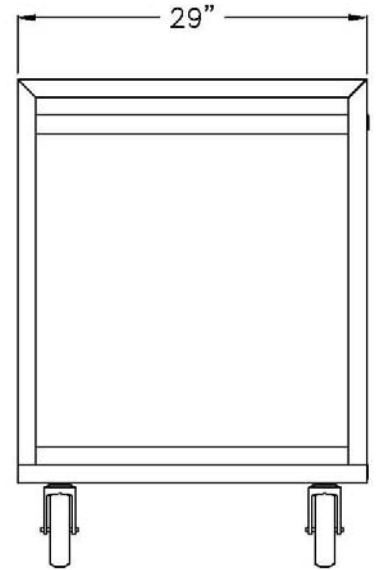
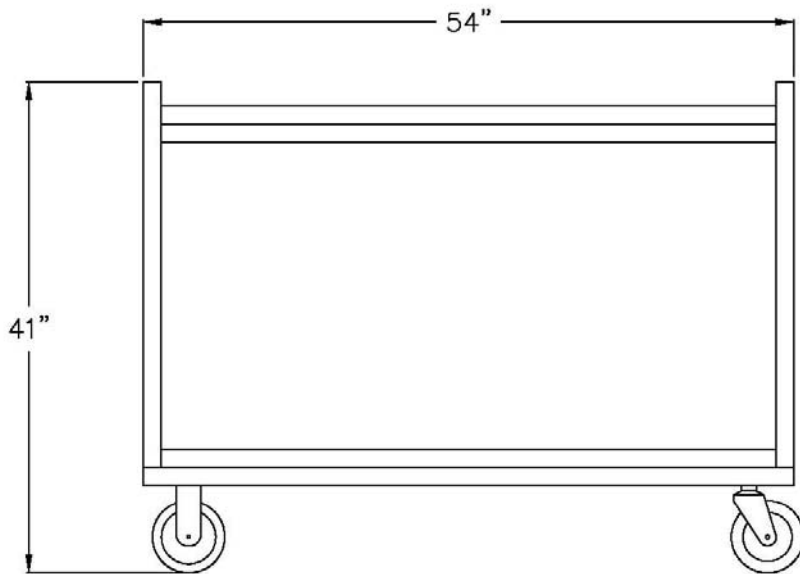
These carts carry a **Lifetime Guarantee** against rust and corrosion and also carry a **Five-Year Guarantee** against workmanship and material defects.



Model #97180



New Age Industrial reserves the right to modify or make changes at any time without notice to materials and specifications.



Model #97180

Model No.	Size-W	Size-H	Size-D	Shelf Size
97177	22"	41"	37"	21 3/4" X 33 5/8"
97178	22"	41"	54"	21 3/4" X 50 5/8"
97179	29"	41"	37"	28 3/4" X 33 5/8"
97180	29"	41"	54"	28 3/4" X 50 5/8"

Distributed by: Custom Equipment Company
 866-333-0728
 sales@custommhs.com
 www.custommhs.com



New Age Industrial reserves the right to modify or make changes at any time without notice to materials and specifications.