

## #50060 & #50061 - LADDER CARTS

- Shelf lips up on all sides to contain product.
- Extended push handle = Shin Saver!
- Continuous grip handle for ascending and descending.  
- Extended reach bar on top.
- Extra wide steps are welded and bolted in place.  
- Fitted with non-slip tape for safety.
- Spring loaded, full contact ladder stops.
- All welded, tubular base frame.
- Caster mounts are welded to the frame.
- Custom sizes available.
- Lifetime Guarantee against rust and corrosion.



Shelf lips up on all sides to contain product.



Extra wide steps are welded and bolted in place.  
- Fitted with non-slip tape for safety.

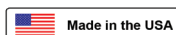


**MODEL #50060**



**MODEL #50061**

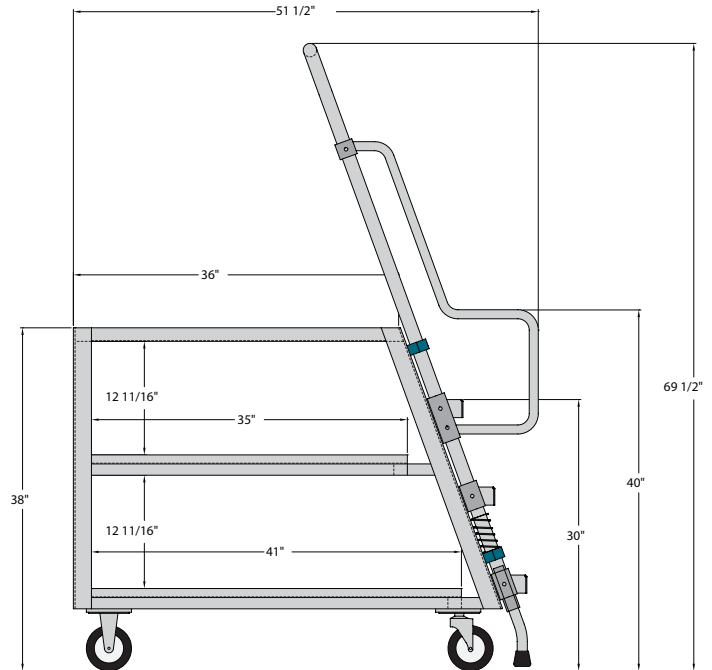
*This information is for general sales and engineering use only. New Age Industrial reserves the right to modify or make changes at any time without notice to materials and specifications.*



Distributed by:

## #50060 & #50061 - LADDER CARTS

- Sheet parts are constructed of 5052-H32 Alloy aluminum.
- Extrusion parts are constructed of 6063-T5 Alloy aluminum.
- Ladder consists of 1.49" O.D. pipe, .153" wall uprights, 1" O.D. pipe, .125" handle and steps are formed out of .125" thick sheet.
- Cart uprights are formed of  $\frac{3}{16}$ " sheet.
- Each shelf is constructed of 1- $\frac{1}{4}$ " square tube, .07" wall covered with .08" sheet.
- Lifetime Guarantee against rust and corrosion.

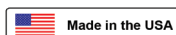


**MODEL #50061**

Model No	Size W-H-L	No. Of Shelves	Top Shelf Height	Shelf Spacing	Wt. Cap.	Ship Wt.
50060	22" x 69- $\frac{1}{2}$ " x 51- $\frac{1}{2}$ "	2	38"	27- $\frac{3}{8}$ "	800#	113#
50061	22" x 69- $\frac{1}{2}$ " x 51- $\frac{1}{2}$ "	3	38"	12- $\frac{9}{16}$ "	800#	120#

Four 5" platform type casters, two swivel (#C461) two rigid (#C463).

*This information is for general sales and engineering use only. New Age Industrial reserves the right to modify or make changes at any time without notice to materials and specifications.*



Distributed by: Custom Equipment Company  
 866-333-0728  
 sales@custommhs.com  
 www.custommhs.com