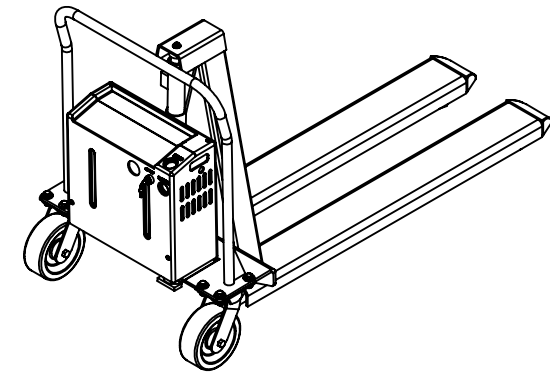
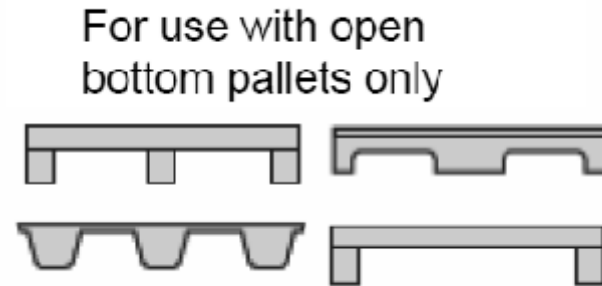
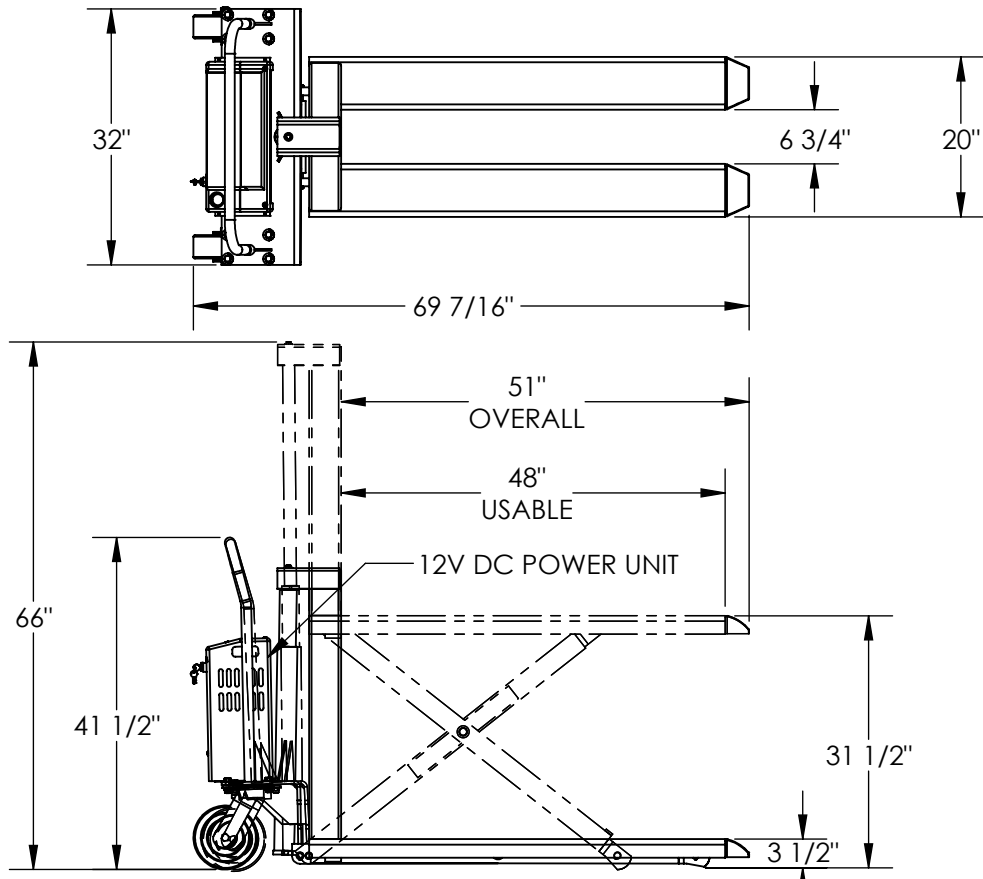


# HIGH RISE LIFT TRUCK - HIPM-2048-DC

APPROX WEIGHT: 501.82 lbs.  
DOES NOT INCLUDE WEIGHT OF POWER OR PACKAGING!!!

\*\*\* ANY ADDITIONS, DELETIONS, OR OMISSIONS MUST BE CORRECTED ON THIS DRAWING AS THIS DRAWING WILL BE CONSIDERED ALL INCLUSIVE \*\*\*

ALL GRAPHICS PROVIDED ARE FOR REFERENCE ONLY. IF CERTAIN DIMENSIONS ARE CRITICAL PLEASE VERIFY THOSE DIMENSIONS WITH YOUR SALESPERSON



DIMENSION TOLERANCE ± 1/4"

## STANDARD FEATURES

MODEL NUMBER IS HIPM-2048-DC  
 OVERALL WIDTH IS 32"  
 OVERALL LENGTH IS 69 7/16"  
 OVERALL LOWERED HEIGHT IS 41 1/2"  
 OVERALL RAISED HEIGHT IS 66"  
 FORK WIDTH IS 20"  
 USABLE FORK LENGTH IS 48"  
 LOWERED FORK HEIGHT IS 3 1/2"  
 RAISED FORK HEIGHT IS 31 1/2"  
 MAX CAPACITY IS 2500 LBS  
 FOR USE WITH OPEN BOTTOM SKIDS ONLY  
 POWER SPECIFICATIONS: DC 12V WITH HAND HELD PENDANT CONTROL. INCLUDES AN ON BOARD BATTERY CHARGER.

## SPECIAL FEATURES

NONE

APPROVAL

I, THE UNDERSIGNED, AGREE THAT THE PRODUCT AS REPRESENTED SATISFIES DESIGN AND DIMENSION REQUIREMENTS. I ALSO ACKNOWLEDGE MY DUTY TO CONFIRM PRODUCT AND INSTALLATION COMPLIANCE WITH ALL APPLICABLE FEDERAL, STATE AND LOCAL REGULATIONS AND STANDARDS.

**ANY MODIFIED UNITS ARE NON-RETURNABLE**

[ ] As drawn      [ ] As marked

Signed: \_\_\_\_\_ Date: \_\_\_\_\_

Printed Name: \_\_\_\_\_

LEAD TIME WILL START UPON RECEIPT OF SIGNED APPROVAL DRAWING

FOR INTERNAL USE ONLY PROJECT SIGN OFF	
SALES	
ENG.	
FAB.	
POWER	

DISTRIBUTOR'S NAME:		P.O.#
VESTIL MANUFACTURING		X
DRAWN BY: KGH		DATE: 7/27/2016
REFERENCE: X		SCALE: 1:24
QUOTED LEAD TIME: X		QUOTE #
		X
		FILE NAME:
		15-007-033