

260062

FOOT PUMP HYDRAULIC LIFT TABLES

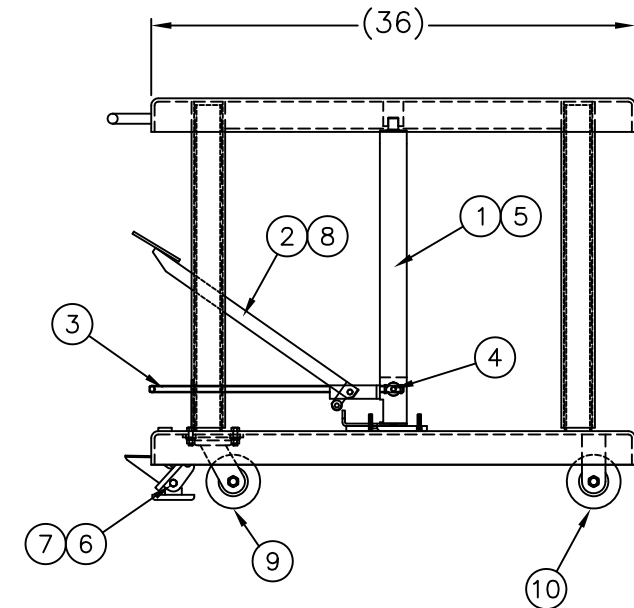
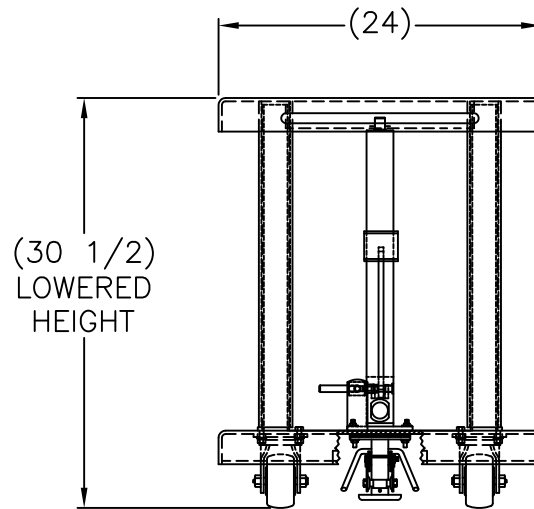
- Capacity ranges from 200 to 6,000 lbs.
- Solid steel top and base construction.
- Floor locks are standard on all 500+ lbs capacity tables.
- Casters provide easy mobility.

MEDIUM & HEAVY DUTY TABLES

- 2 rigid and 2 swivel 6" phenolic resin roller bearing casters.
- LTL models feature 4" casters and 3/8" lift per stroke.
- LT models feature 6" casters.
- Four support posts and push handle
- Foot operated floor lock.

P/N **260062**

Model: LTL-20-2436
 Weight: 225 lbs
 Table Size: 24" x 36"
 Lowered Height: 30.5"
 Raised Height: 47.5"
 Support Posts: Four
 Caster Size: 4"
 Capacity: 2,000 lbs



REPLACEMENT PARTS LIST			
ITEM	PART NO.	DESCRIPTION	QTY.
1	270259	KIT: JACK, LT-10/LTL-2436	1
2	050739	KIT: FOOT PEDAL ASS'Y (18")	1
3	050792	KIT: RELIEF HANDLE ASS'Y ('8")	1
4	050754	KIT: PUMPING RELEASE VALVE	1
*	052722	KIT: SEAL KIT (FOR UNITS AFTER 3/97)	1
6	150001	FLOOR LOCK	1
7	051397	SHIM : FLOOR LOCK	1
8	108316	PEDAL RETURN SPRING	1
9	054265	CASTER: SWIVEL	2
10	VERIFY	WHEEL 053770 OR CASTER 054271	2

*SEAL KIT FOR UNITS PRIOR 3/97 NOT AVAILABLE

THIS DRAWING IN ALL PARTICULARS IS WESCO INDUSTRIAL PRODUCTS INC. PROPERTY. ALL RIGHTS OF DESIGN, INVENTION OR USE OF ARE RESERVED.

PRINT ISSUED

OCT 23, 2006

WESCO MANUFACTURING
ENGINEERING DEPARTMENT

APP	WESCO INDUSTRIAL PRODUCTS INC.	
	NORTH WALES	PENNA. 19454
ECN & DATE	PART NAME	DRAWN:
	LTL-20-2436	CHECKED:
REVISIONS	TOLERANCE UNLESS OTHERWISE SPECIFIED	APP. ENGR.
	FRACTION 3 PLACE DECIMAL 2 PLACE DECIMAL	SCALE:
REV.	± 1/64 ± .005 ± .01	C-260062
	ANGULAR ± 1-1/2" SHEET 1 OF 1	REV
BREAK ALL SHARP EDGES AND REMOVE ALL BURRS		