



# Instruction Manual

## *Telescoping Manual High Lift Truck*

Part Number: 272754, 272755, 272975 & 272976



**Note: Operator MUST read and understand these operating instructions before using this Truck.**

### TABLE OF CONTENTS

1	General Information .....	2
1.1	Description.....	2
1.2	Specifications.....	2
2	Assembly & Adjustment.....	2
3	Trouble Shooting.....	4
4	Fork Frame Information.....	5
4.1	Fork Frame Parts Diagram.....	5
4.2	Fork Frame Parts List.....	6
5	Pump Assembly Information.....	7
5.1	Pump Assembly Parts Diagram.....	7
5.2	Pump Assembly Parts List.....	8
6	Handle Assembly Information.....	10
6.1	Handle Assembly Parts Diagram.....	10
6.2	Handle Assembly Parts List.....	11

## **1. GENERAL INFORMATION**

### **1.1 DESCRIPTION**

Thank you for purchasing a Wesco Telescoping Manual High Lift Truck. This pallet truck is designed for transporting and horizontal lifting. The trucks feature a 180° steering arc, loop handles with inside hand control and a 1 year pump warranty.

### **1.2 SPECIFICATIONS**

Model	<b>272754</b>	<b>272755</b>	<b>272975</b>	<b>272976</b>
Capacity	2,200 lbs	2,200 lbs	3,300 lbs	3,300 lbs
Weight	228 lbs	219 lbs	260 lbs	276 lbs
Fork Lowered Height	3.3"	3.6"	3.6"	3.6"
Fork Raised Height	31.5"	31.5"	31.5"	31.5"
Single Fork Width	6.5"	6.5"	6.5"	6.5"
Fork Length	44.5"	44.5"	43"	43"
Overall Width	27"	21"	20"	27"
Overall Length	63"	63"	63"	63"
Overall Height	48.5"	48.5"	48.5"	48.5"
Telescoping	Yes	Yes	Yes	Yes
Steering & Load Wheels	Polyurethane	Polyurethane	Polyurethane	Polyurethane

*Materials and specifications are subject to change without notice.*

## **2. ASSEMBLY & ADJUSTMENT**

- 1) Screw (Item 158)
  - To prevent oil-leaking from oil tank during transportation the air screw (Item 158) is replaced with oil-sealing screw in the factory. Upon reaching its destination and before operation the air screw must be inserted back in place. Screw out the Oil-sealing screw, then screw in the air screw which the pump housing (Item 160) is hung.
- 2) Handle
  - During transportation, the handle is disassembled from the truck and packed separately. It must be properly reassembled before operation of the unit.

ATTENTION: TO INSURE SAFE AND EASY USE OF YOUR WESCO HIGH LIFT TRUCK, READ THESE INSTRUCTIONS ENTIRELY BEFORE USING.

**2. ASSEMBLY & ADJUSTMENT**

Handle Installation

- Take 3 pieces of M10 Nut (Item 185) & Spring Washer from spare parts bag. Select handle to match the truck with the same fitting numbers.
- Assemble the handle on the Handle Base (Item 181) with 3 pieces of M10 Nut & Spring Washer tightly.
- Put the chain's Eye Bolt (Item 110) in the slot at the front end of Pendulum Arm (Item 112).

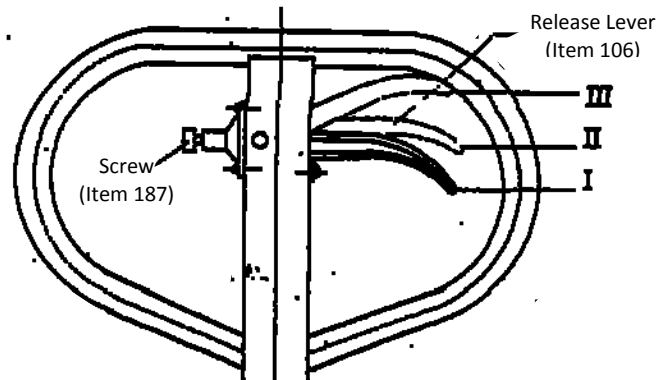
Handle Adjustment

- There are 3 different positions with different functions for the Release Lever (Item 106).

Position I: Rapid lifting of forks

Position II: Slow lifting of forks

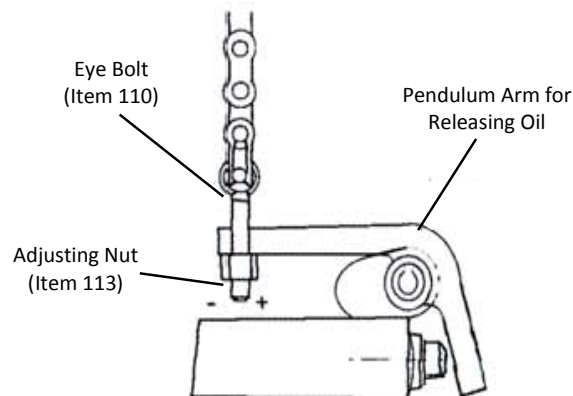
Position III: Descending of forks



**Figure 1**

- Test the functions of the unit by setting the Release Lever in each position. If it does not function properly, then make the following adjustment to the Lock Nut (Item 113) depending on the problem occurring:

Problem	Turning Direction of Lock Nut
Forks do not lift up	- (counter-clockwise)
Forks do no lower down	+ (clockwise)
Slow lifting function does not work	+ (clockwise)
Rapid lifting function does not work	- (counter-clockwise)



**Figure 2**

ATTENTION: TO INSURE SAFE AND EASY USE OF YOUR WESCO HIGH LIFT TRUCK, READ THESE INSTRUCTIONS ENTIRELY BEFORE USING.

**2. ASSEMBLY & ADJUSTMENT**

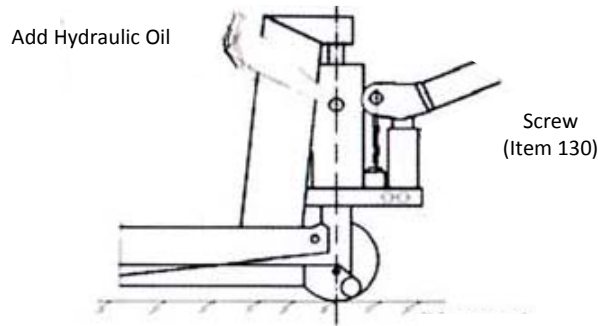
Handle Adjustment

- Function of Adjusting Screw for Release Lever (Shown In Figure 1).

The Adjusting Screw (item 187) is used to adjust the operating force required to set Release Lever (Item 106) into each position. To prevent accidental position switches of the lever, you can tighten the screw in the position I or II of the Release Lever.

Releasing Air from the Pump

When pushing the handle down, the fork cannot be lifted immediately. Loosen the Screw (item 130) on the pump while pushing the handle down slowly to expel air from the pump, and then retighten the screw.



**Figure 3**

When to Add Oil

If the forks cannot be pumped up to its maximum height, the truck may need to have hydraulic oil added into the oil tank. The hydraulic fluid added must have a quality of ISO VG22 or equivalent. The mixing of different fluid is prohibited.

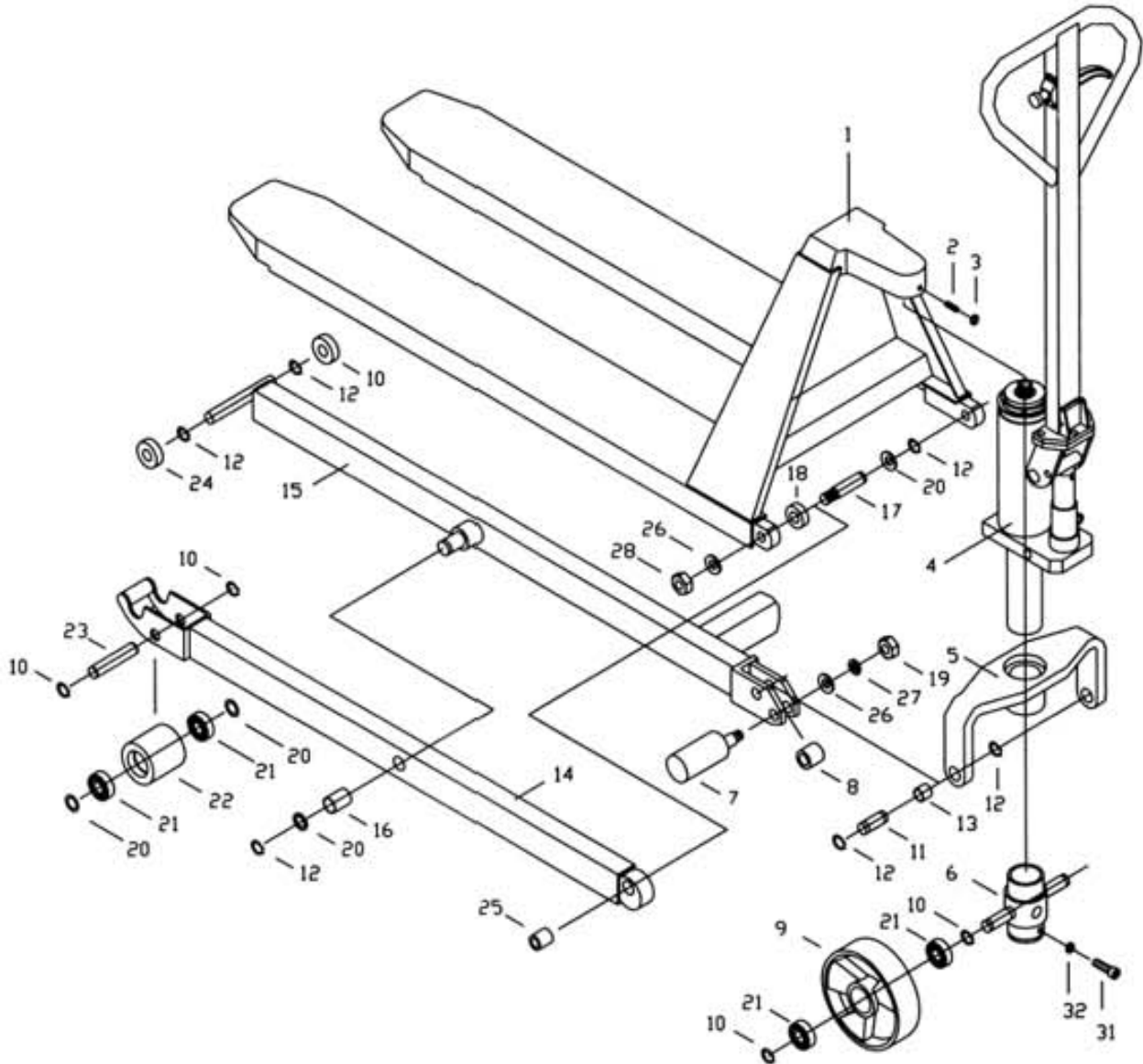
**3. TROUBLESHOOTING**

No	Problem	Causes	Solutions
1	Forks cannot be pumped up	<ol style="list-style-type: none"> <li>1. Low oil level in oil tank.</li> <li>2. Air is in the hydraulic system.</li> <li>3. Adjusting Nut is not adjusted properly.</li> </ol>	<ol style="list-style-type: none"> <li>1. Add proper hydraulic oil.</li> <li>2. Bleed the system by</li> <li>3. Adjust the Adjusting Nut (as shown in picture 2).</li> </ol>
2	Forks cannot be released down	<ol style="list-style-type: none"> <li>1. Forks blocked.</li> <li>2. Adjusting Nut is not adjusted properly.</li> </ol>	<ol style="list-style-type: none"> <li>1. Check and remove the blockage.</li> <li>2. Adjust the Adjusting Nut (as shown in picture 2).</li> </ol>
3	Forks do not lift to highest position	<ol style="list-style-type: none"> <li>1. Not enough oil.</li> </ol>	<ol style="list-style-type: none"> <li>1. Fill Oil.</li> </ol>
4	Fork lifting speeds of position I and II are the same	<ol style="list-style-type: none"> <li>1. Adjusting Nut is not adjusted properly.</li> </ol>	<ol style="list-style-type: none"> <li>1. Adjust the Adjusting Nut (as shown in picture 2).</li> </ol>

ATTENTION: TO INSURE SAFE AND EASY USE OF YOUR WESCO HIGH LIFT TRUCK, READ THESE INSTRUCTIONS ENTIRELY BEFORE USING.

**4. FORK FRAME INFORMATION**

**4.1 FORK FRAME DIAGRAM**



ATTENTION: TO INSURE SAFE AND EASY USE OF YOUR WESCO HIGH LIFT TRUCK, READ THESE INSTRUCTIONS ENTIRELY BEFORE USING.

#### **4. FORK FRAME INFORMATION**

##### **4.2 FORK FRAME PARTS LIST**

<b>WESCO Replacement P/N</b>	<b>No.</b>	<b>Description</b>	<b>Quantity</b>
	1	Fork	1
172250	2	Screw	2
172251	3	Nut	1
See #300	4	Power Unit	1
172249	5	Hold Yoke	1
172252	6	Wheel Yoke	1
172253	7	Centrifugal Axle	2
172254	8	Spacer	2
272752 (For 272754 & 272755 Units Only)	9	Steering Wheel (Aluminum)	2
272902 (For 272975 & 272976 Units Only)		Steering Wheel (Steel)	2
172255	10	Snap Ring	8
172256	11	Pin	2
172257	12	Snap Ring	12
172258	13	Bush	2
172259	14	Leg	2
172260	15	Leg	1
172261	16	Bush	2
172262	17	Pin	2
172263	18	Washer	2
172264	19	Nut	2
172265	20	Washer	8
172266	21	Ball bearing	8
272753	22	Front Wheel	2
172267	23	Wheel Axle	2
272756	24	Roller	4
172268	25	Bush	2
172269	26	Washer	4
172270	27	Spring Washer	2
	28	Nut	2
	31	Screw	1
	32	Nut	1
	30	Steering Wheel Assembly (Includes Items #6, 9, 10, 21, 31, 32)	1

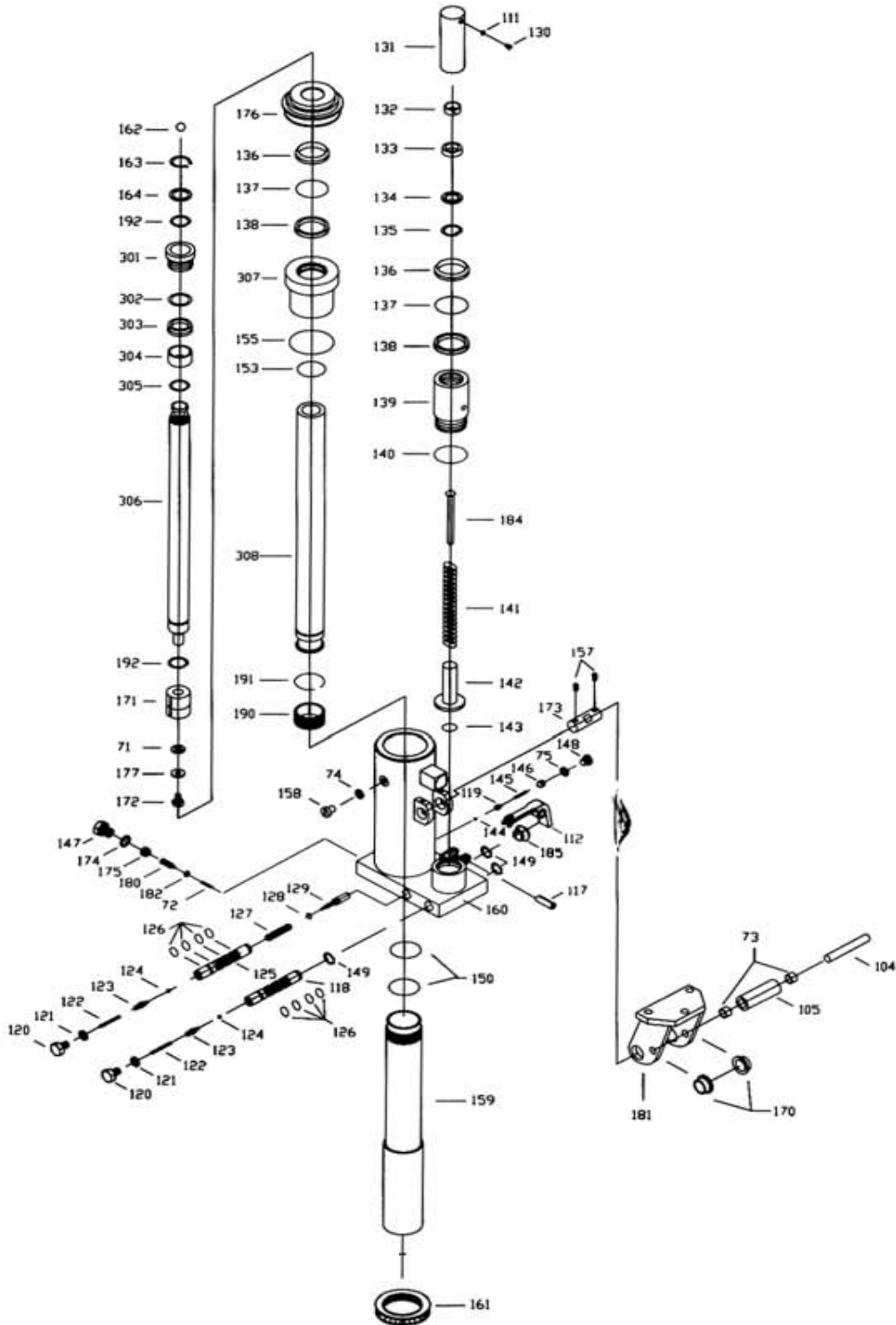
**NOTE:** Items within kits specify quantity included per kit



ATTENTION: TO INSURE SAFE AND EASY USE OF YOUR WESCO HIGH LIFT TRUCK, READ THESE INSTRUCTIONS ENTIRELY BEFORE USING.

**5. PUMP ASSEMBLY INFORMATION**

**5.1 PUMP ASSEMBLY DIAGRAM**



ATTENTION: TO INSURE SAFE AND EASY USE OF YOUR WESCO HIGH LIFT TRUCK, READ THESE INSTRUCTIONS ENTIRELY BEFORE USING.

## 5. PUMP ASSEMBLY INFORMATION

### 5.2 PUMP ASSEMBLY PARTS LIST

WESCO Replacement P/N	No.	Description	Quantity	
	71	Washer	1	
	72	Spring	1	
172336	73	Bushing	2	
272903	74	Washer	1	
	75	Gasket	1	
172273	104	Pin	1	
172274	105	Roller	1	
172280	111	Washer	1	
172281	112	Pendulum Arm	1	
172286	117	Pin	1	
172287	118	Valve Insert	1	
172288	119	Seat	1	
272848 Kit: Release Mechanism	172289	120	Screw	2
	172290	121	Gasket	2
	172291	122	Spring	2
	172292	123	Release Valve	2
	172293	124	Ball	2
	172294	125	Valve Insert	1
	172295	126	O-Ring	8
	172296	127	Spring	1
	172297	128	O-Ring	1
172298	129	Release Indicator	1	
172299	130	Screw	1	
CYL./PISTON KIT	131	Pump Piston	1	
SEAL KIT ONLY	132	Guide Ring	1	
SEAL KIT ONLY	133	Y-Ring	1	
270676	134	Washer	1	
270677	135	Snap Ring	1	
SEAL KIT ONLY	136	Scraper Ring	2	
SEAL KIT ONLY	137	O-Ring	2	
SEAL KIT ONLY	138	Y-Ring	2	
CYLINDER/PISTON KIT ONLY	139	Pump Cylinder	1	
SEAL KIT ONLY	140	O-Ring	1	
270471	141	Spring	1	
270679	142	Hi-Pressure Piston	1	
SEAL KIT ONLY	143	O-Ring	2	
	144	Ball	1	
	145	Spring	2	
	146	Adjusting Screw	2	

WESCO Replacement P/N	No.	Description	Quantity
	147	Sealing Screw	1
	148	Screw	1
	149	Snap Ring	1
SEAL KIT ONLY	150	O-Ring	2
SEAL KIT ONLY	153	O-Ring	1
SEAL KIT ONLY	155	O-Ring	1
	157	Screw	1
172302	158	Air Screw	1
	159	Cylinder	1
	160	Pump Housing	1
172303	161	Thrust Bearing	1
172304	162	Ball	1
172305	163	Snap ring	1
172306	164	Washer	1
172312	170	Bush	2
	171	Piston	1
172313	172	Screw	1
172314	173	Axle	1
172315	174	Gasket	1
172316	175	Lock Screw	1
172317	176	Rubber Sleeve	1
172318	177	Washer	1
172321	180	Adjusting Screw	1
172322	181	Handle Base	1
172323	182	Adjusting Washer	1
172324	183	Rubber Sleeve	1
172325	184	Spring Guide	1
	190	Copper Piston	1
172331	191	Snap Ring	1
172332	192	Snap Ring	2
SEE TABLE ON PAGE 9	300	Pump Unit	1
172450 (For 272749 Pump Only)	301	Bushing	1
SEAL KIT ONLY	302	Back-Up Ring	1
SEAL KIT ONLY	303	Y-Ring	1
172451 (For 272749 Pump Only)	304	Bushing	1
	305	Snap Ring	1
	306	Piston Rod	1
	307	Cylinder Head	1
	308	Lifting Ram	1

**NOTE:** Items within kits specify quantity included per kit



ATTENTION: TO INSURE SAFE AND EASY USE OF YOUR WESCO HIGH LIFT TRUCK, READ THESE INSTRUCTIONS ENTIRELY BEFORE USING.

**5. PUMP ASSEMBLY INFORMATION**

**5.2 PUMP ASSEMBLY PARTS LIST (CONTINUED)**

**Kits**

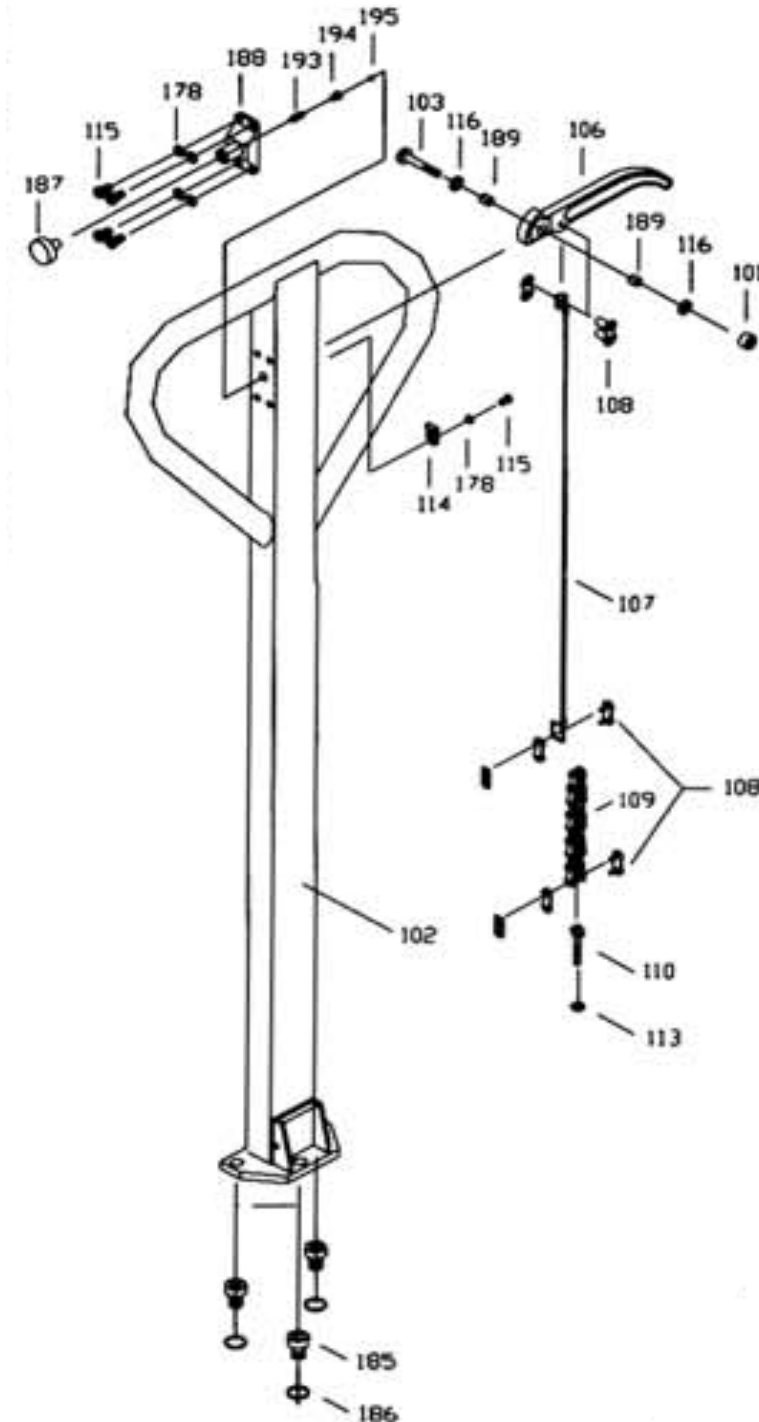
P/N	Description	Models Kit is Compatible With	Includes	Qty
272757	Seal Kit	272754/272755 Models From Before 2010 OR After 2014	Items 75, 126, 128, 132, 133, 136, 137, 138, 140, 143, 150, 153, 155, 302, 303	1
		ALL 272975/272976 Models		
270675	Cylinder/Piston Kit	ALL	Items 131 & 139	1
272848	Release Mechanism Kit	ALL	Items 120, 121, 122, 123, 124, 125, 126, 127, 128, 129	1
272745	Replacement Pump	272754/272755 Models From Between 2010-2014	300	1
272749	Replacement Pump	272754/272755 Models From Before 2010 OR After 2014	300	1
		ALL 272975/272976 Models		

**NOTE:** Items within kits specify quantity included per kit

ATTENTION: TO INSURE SAFE AND EASY USE OF YOUR WESCO HIGH LIFT TRUCK, READ THESE INSTRUCTIONS ENTIRELY BEFORE USING.

**6. HANDLE ASSEMBLY INFORMATION**

**6.1 HANDLE ASSEMBLY DIAGRAM**



ATTENTION: TO INSURE SAFE AND EASY USE OF YOUR WESCO HIGH LIFT TRUCK, READ THESE INSTRUCTIONS ENTIRELY BEFORE USING.

**6. HANDLE ASSEMBLY INFORMATION**

**6.2 HANDLE ASSEMBLY PARTS LIST**

WESCO Replacement P/N	No.	Description	Quantity
172271	101	Locknut	1
	102	Handle	1
172272	103	Screw	1
172275	106	Release Lever	1
172276	107	Release Rod	1
172277	108	Chain Connector	3
172278	109	Chain	1
172279	110	Eye Bolt	1
172282	113	Pendulum Arm	1
172283	114	Pendulum Arm Nut	1
172284	115	Screw	5
172285	116	Washer	2
172319	178	Washer	5
172326	185	Adjusting Screw	3
172327	186	Spring Washer	3
172328	187	Lock Screw for Release Lever	1
172329	188	Spring Socket	1
172330	189	Spacer	2
172333	193	Spring	1
172334	194	Pin	1
172335	195	Ball	1

**NOTE:** Items listed above for Models before 2010 or after 2014 only.

**Kits**

Description	P/N	Models Kit is Compatible With	Includes	Qty
Handle Release Assembly	272751	Models From Before 2010 OR After 2014	Items 101, 102, 103, 106, 107, 108, 109, 110, 113, 115, 116, 178, 187, 188, 189, 193, 194, 195	1
	273631	Models From Between 2010-2014		

**NOTE:** Items within kits specify quantity included per kit.