

**POWERED STACKER 1,000 LBS**

- Remote control, floor lock, and safety screen are standard on all models.
- With a minimally charged battery, unit can be used while recharging.
- Three light LED charge status indicator - No extra cost.
- Easy to read illuminated battery status voltmeter - No extra cost.

**COUNTER-BALANCED FORK MODELS**

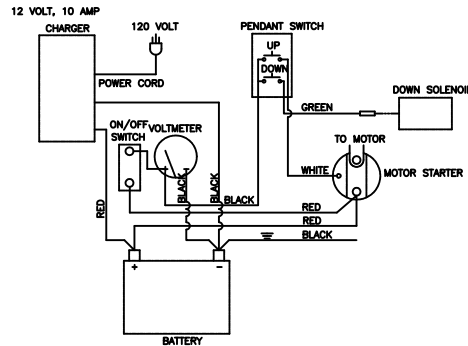
- Loading and unloading trucks.
- Positioning dies.
- Feeding material to presses.
- 25" long forks.
- Order enough weight kits for your planned load.
- AC models not available.

**P/N 261037**  
**Model: PCBFL-56-25**  
**Lift Height: 56"**  
**O.A.H 75"**  
**Weight: 522 lbs.**  
**Capacity: 1,000 lbs.**  
**Load Center: 13"**

\* Counterweights are not included and must be installed prior to use.  
 Order Required **Counterweight Kit** for your load.

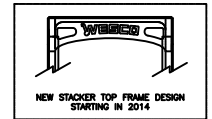
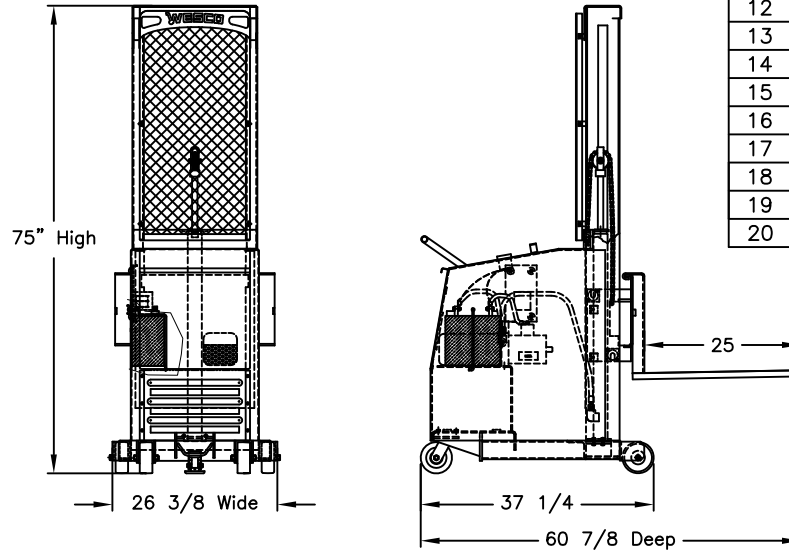
**P/N: 261041**  
**Stacker Load: 200 lbs.**  
**Capacity: 334 lbs.**

**WIRING DIAGRAM**



**REPLACEMENT PARTS LIST  
56"/60" LIFT**

ITEM	P/N	DESCRIPTION	QTY
1	051166	56/60" HYD. CYLINDER	1
2	109111	POWER UNIT	1
3	109102	BATTERY	1
4	109104	VOLTMETER	1
5	052769	BATTERY CABLE (NEG.)	1
6	052770	BATTERY CABLE (POS.)	1
7	109114	BOARD: INDICATOR LIGHT	1
8	052762	BATTERY CHARGER	1
9	125827	HYDRAULIC HOSE	1
10	052726	REMOTE CONTROL ASS'Y	1
11	109325	SWITCH	1
12	050771	LIFT CHAIN ASS'Y	1
13	260143	ROLLER CARRIER ASS'Y	1
14	150001	FLOOR LOCK	1
15	051397	SHIM: FLOOR LOCK	1
16	053769	WHEEL, 5x2 PHENOLIC	2
17	054267	CASTER, 5x2 PHENOLIC	2
18	109117	SOLENOID	1
19	108517	ROLLER: MAG PLATFORM	4
20	220170	SEAL KIT	1



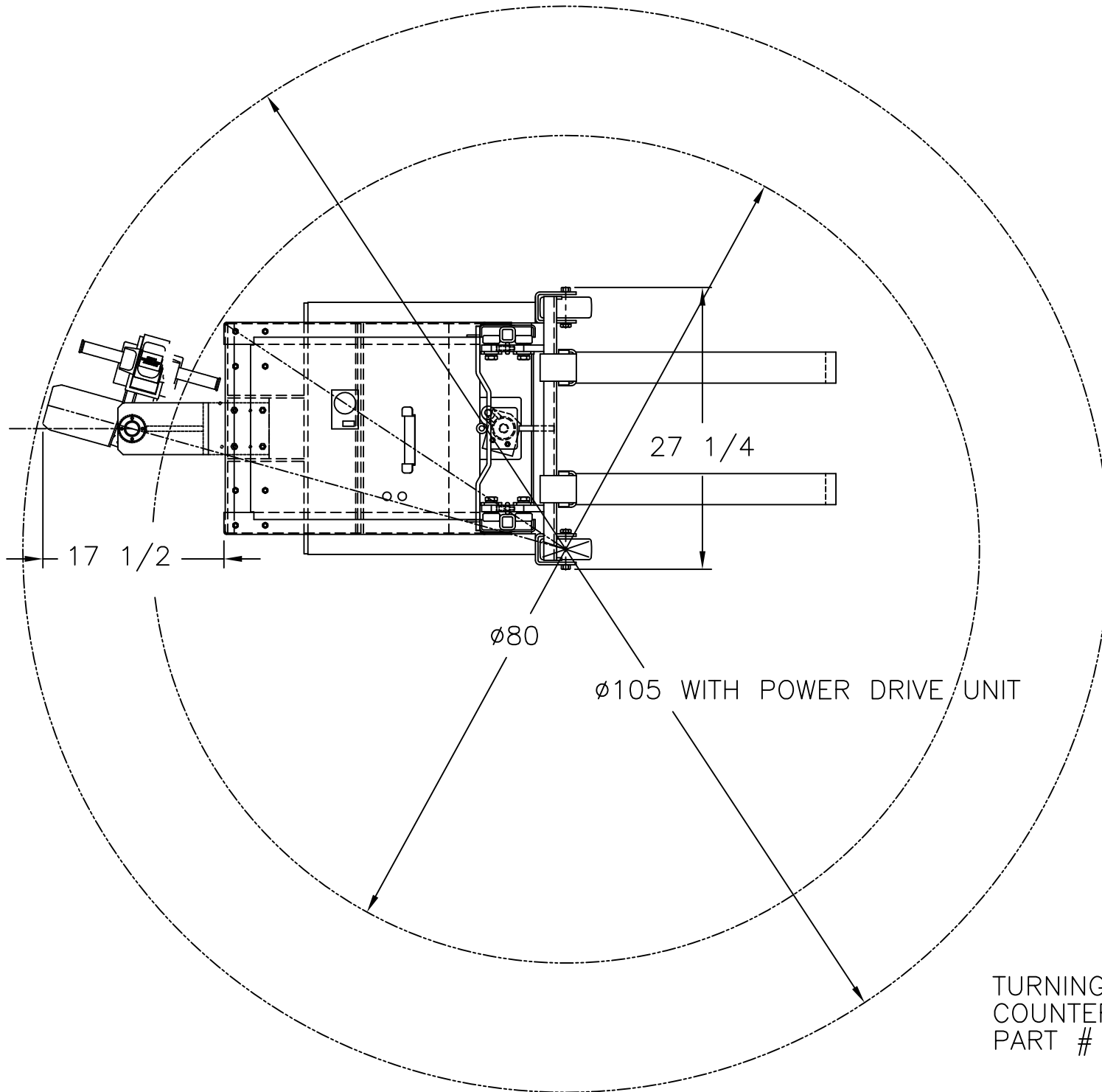
THIS DRAWING IN ALL PARTICULARS IS WESCO INDUSTRIAL PRODUCTS INC. PROPERTY. ALL RIGHTS OF DESIGN, INVENTION OR USE OF ARE RESERVED.

PRINT ISSUED

APR. 02, 2007

WESCO MANUFACTURING  
ENGINEERING DEPARTMENT

APP	<b>WESCO INDUSTRIAL PRODUCTS INC.</b>		
	NORTH WALES		PENNA. 19454
	PART NAME <b>PCBFL-56-25</b>		
	DRAWN:		
REV	CHECKED:		
	APP. ENGR.		
	SCALE: 1" = 20"		
	B- 261037		
REV	TOLERANCE UNLESS OTHERWISE SPECIFIED		
	FRACTION	3 PLACE DECIMAL	2 PLACE DECIMAL
	± 1/64	± .005	± .01
	ANGULAR ± 1-1/2'	SHEET 1 OF 1	
BREAK ALL SHARP EDGES AND REMOVE ALL BURRS			



TURNING CIRCLE  
COUNTER-BALANCE STACKERS  
PART # 261037/261039

P. SPENCER 09-16-2008