

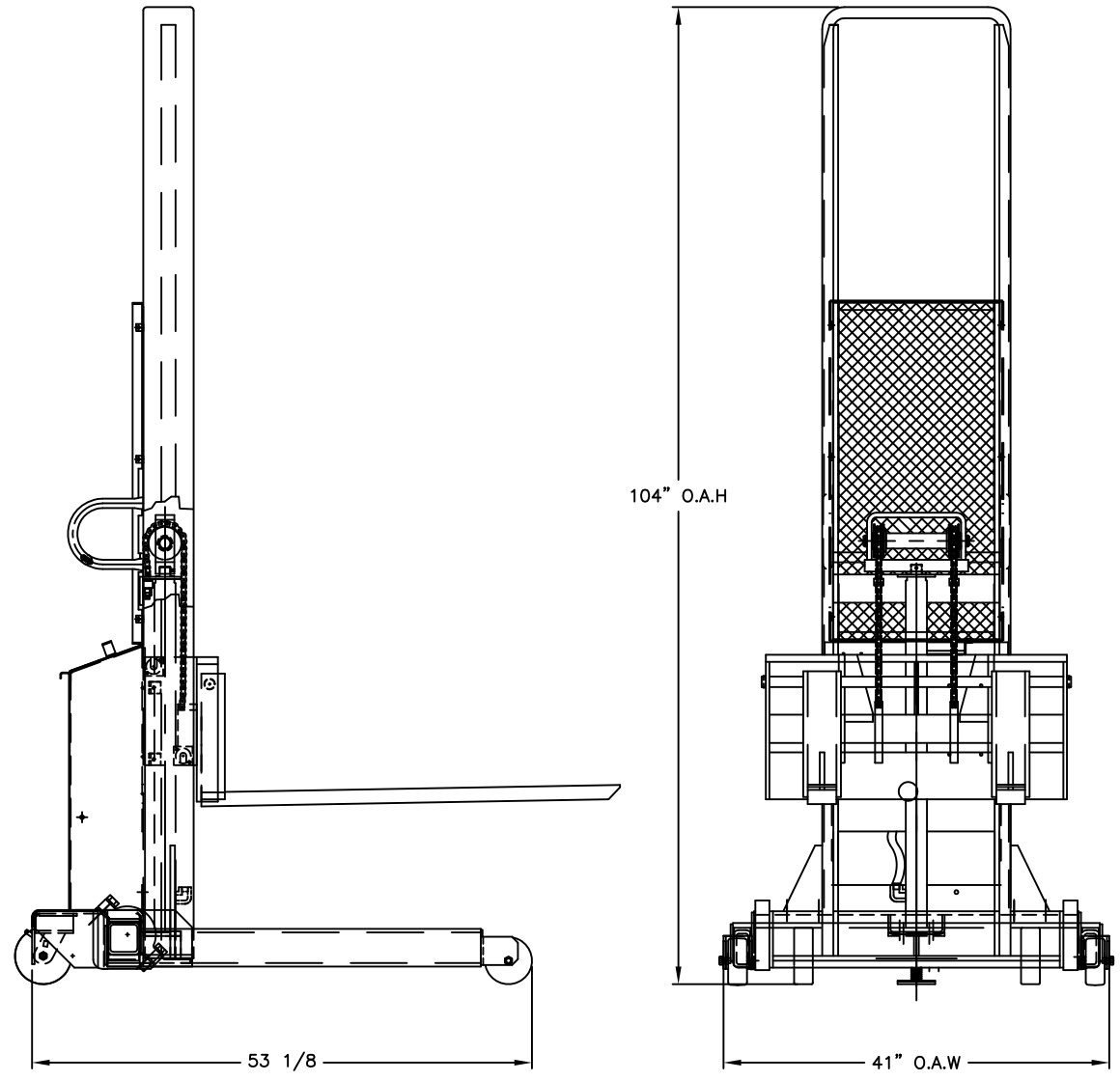
POWERED STACKERS

Features:

- Adjustable base legs available on fork models.
- Fixed platforms 24x24, 24x27, 30x32
- Reinforced frame and base.
- Double chain, lift support.
- Heavy-duty pump.
- Ergonomic "D" handles.
- 110V AC models available.

ADJUSTABLE FORK MODELS

Model: PASFL-86-42-3550S-1.5K
 Lift Height: 86"
 O.A.H: 104"
 Weight: 645
 Capacity: 1,500 lbs
 Load Center: 24"
 Fork W/L: 3"/42"
 Base Leg ID/OD: 35"-50" ID ADJ.

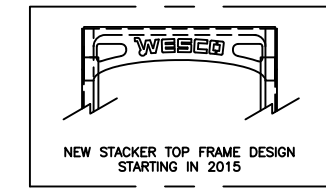


**1,500 LBS POWER STACKER PARTS LIST
86"/90" LIFT**

1	051181	HYDRAULIC CYLINDER	1
2	109101	POWER UNIT	1
3	109102	BATTERY	1
4	109104	VOLTMETER	1
5	052779	BATTERY CABLE (NEG.)	1
6	052780	BATTERY CABLE (POS.)	1
7	109114	BOARD: INDICATOR LIGHT	1
8	052762	BATTERY CHARGER	1
9	125824	HYDRAULIC HOSE	1
10	052726	REMOTE CONTROL ASS'Y	1
11	109116	SWITCH	1
12	050784	LIFT CHAIN ASS'Y	2
13	050776	ROLLER CARRIER ASS'Y	2
14	052010	FLOOR LOCK	1
15	053769	WHEEL	2
16	054267	CASTER	2
17	109117	SOLENOID	1
17A	109325	SWITCH	1

HYDRAULIC CYLINDER PARTS LIST

18	051190	CYLINDER	1
19	051138	PISTON	1
20	050006	CYLINDER CAP	1
21	050726	SEAL KIT	1



THIS DRAWING IN ALL PARTICULARS IS WESCO INDUSTRIAL PRODUCTS INC. PROPERTY. ALL RIGHTS OF DESIGN, INVENTION OR USE OF ARE RESERVED.

PRINT ISSUED

OTC. 16, 2006

WESCO MANUFACTURING
ENGINEERING DEPARTMENT

WESCO INDUSTRIAL PRODUCTS INC.
 LANSDALE PENNA. 19446

PART NAME: PASFL-86-42-3550S-1.5K
 DRAWN: KL 08-07-01
 CHECKED: PS 08-16-01
 APP. ENGR.

TOLERANCE UNLESS OTHERWISE SPECIFIED

FRACTION	3 PLACE DECIMAL	2 PLACE DECIMAL
± 1/64	± .005	± .01
ANGULAR ± 1-1/2'	SHEET 1 OF 2	SCALE: 1" = 20"

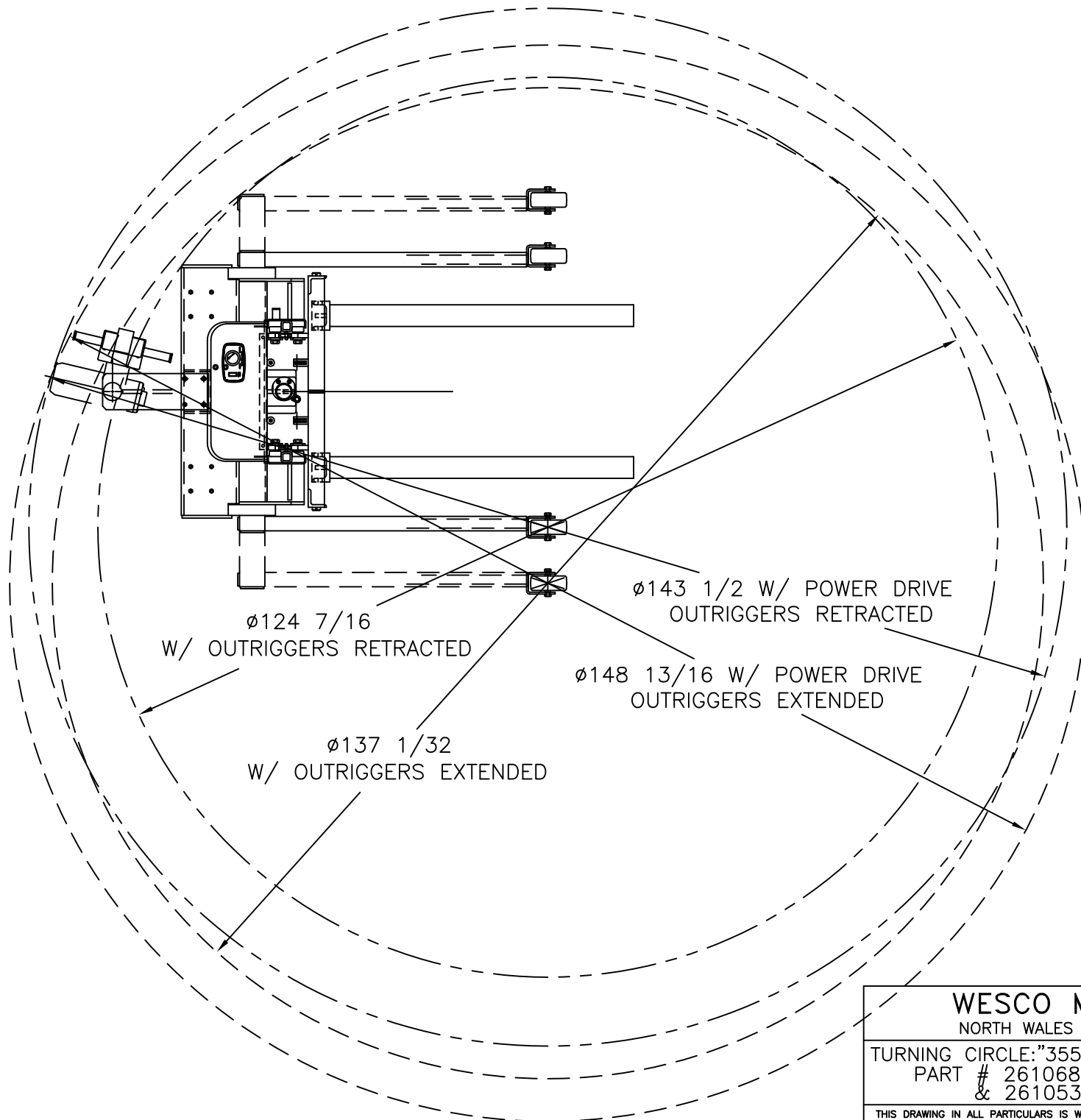
BREAK ALL SHARP EDGES AND REMOVE ALL BURRS

B-261070

APP
ECN & DATE
REV.

REVISIONS

REV



WESCO MANUFACTURING CO.

NORTH WALES

PENNA. 19446

TURNING CIRCLE:"3550S" STACKERS
 PART # 261068/261070
 & 261053/261055

DRAWN: DR 12-02-14

SCALE: 1/4"=1"

THIS DRAWING IN ALL PARTICULARS IS WESCO MFR. CO. PROPERTY.
 ALL RIGHTS OF DESIGN, INVENTION OR USE OF ARE RESERVED.

A-SK-670 REV A