

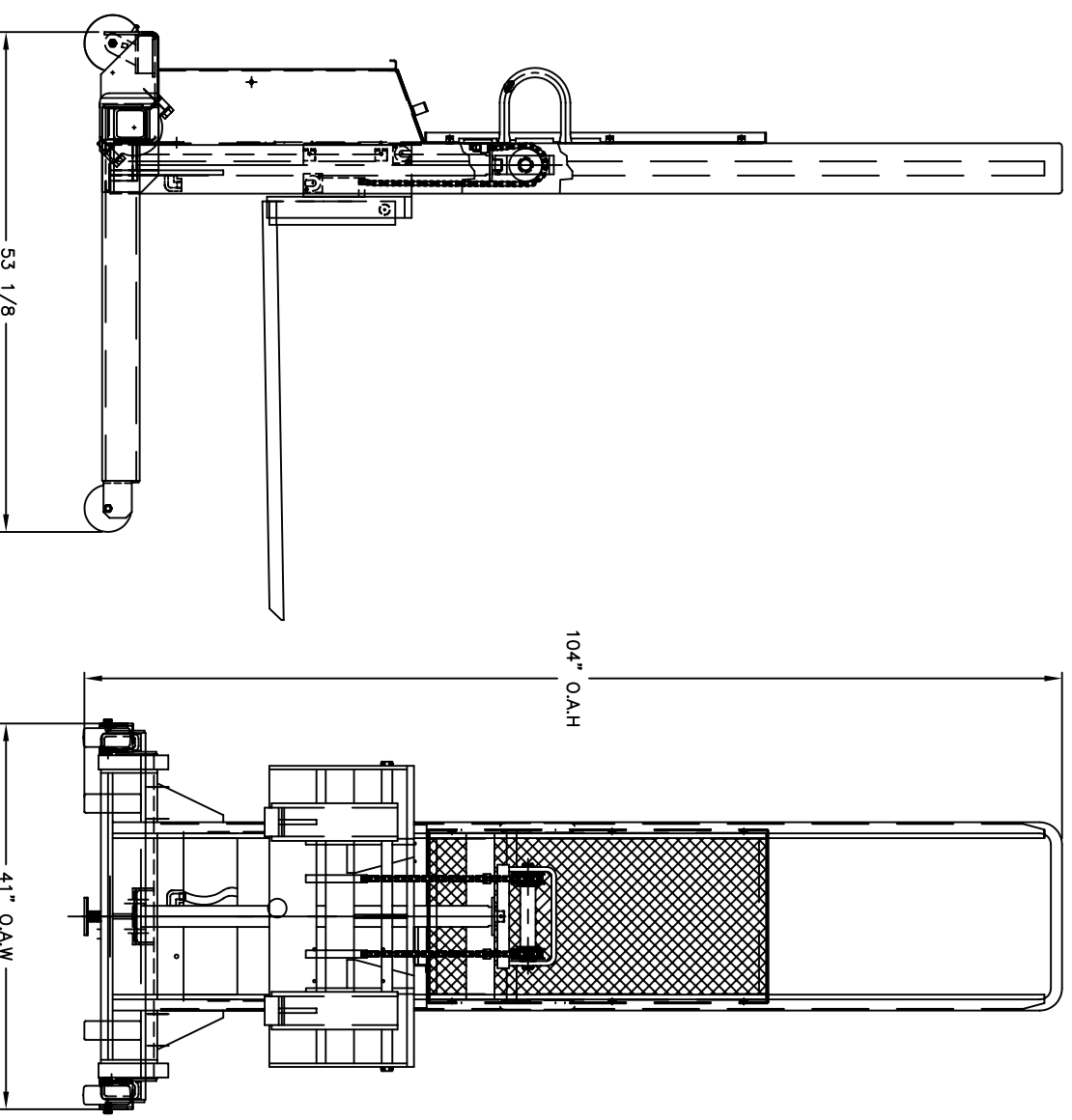
POWERED STACKERS

Features:

- Adjustable base legs available on fork models.
- Fixed platforms 24x24, 24x27, 30x32
- Reinforced frame and base.
- Double chain, lift support.
- Heavy-duty pump.
- Ergonomic "D" handles.
- 110V AC models available.

ADJUSTABLE FORK MODELS

Model: PASFL-86-42-3550S-2K
 Lift Height: 86"
 O.A.H: 104"
 Weight: 650
 Capacity: 2000 lbs
 Load Center: 24"
 Fork W/L: 3"/42"
 Base Leg ID/OD: 35"-50" ID ADJ.



FOR UNITS MANUFACTURED UP TO AUGUST 28, 2007
 FOR UNITS MANUFACTURED AFTER TO AUGUST 28, 2007

2,000 LBS POWER STACKER PARTS LIST
 86"/90" LIFT

1	051181	HYDRAULIC CYLINDER	1
2	109101	POWER UNIT	1
3	109099	BATTERY	1
4	109104	VOLTMETER	1
5	052779	BATTERY CABLE (NEG.)	1
6	052780	BATTERY CABLE (POS.)	1
7	109114	BOARD: INDICATOR LIGHT	1
8	052762	BATTERY CHARGER	1
8	109150	BATTERY CHARGER	1
9	125824	HYDRAULIC HOSE	1
10	052726	REMOTE CONTROL ASS'Y	1
11	109116	SWITCH	1
12	050784	LIFT CHAIN ASS'Y	2
13	050776	ROLLER CARRIER ASS'Y	2
14	052010	FLOOR LOCK	1
15	053769	WHEEL	2
16	054267	CASTER	2
17	109117	SOLENOID	1
17A	109325	SWITCH	1

HYDRAULIC CYLINDER PARTS LIST

18	051190	CYLINDER	1
19	051138	PISTON	1
20	050006	CYLINDER CAP	1
21	050726	SEAL KIT	1

THIS DRAWING IN ALL PARTICULARS IS WESCO INDUSTRIAL PRODUCTS INC. PROPERTY. ALL RIGHTS OF DESIGN, INVENTION OR USE OF ARE RESERVED.

PRINT ISSUED

June 02, 2008

WESCO MANUFACTURING
 ENGINEERING DEPARTMENT

WESCO INDUSTRIAL PRODUCTS INC.
 LANSDALE PENNA. 19446

PART NAME
 PASFL-86-42-3550S-2K

REVISIONS

REV.	ECN & DATE	APP

TOLERANCE UNLESS OTHERWISE SPECIFIED

FRACTION	3 PLACE DECIMAL	2 PLACE DECIMAL
± 1/64	± .005	± .01
ANGULAR ± 1-1/2'	SHEET 1	OF 2
BREAK ALL SHARP EDGES AND REMOVE ALL BURRS		

DRAWN: KL 08-07-01
CHECKED: PS 08-16-01
APP. ENGR.

SCALE: 1" = 20"

B-261055