

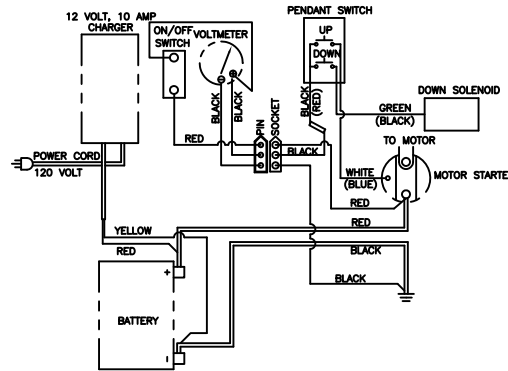
POWERED STACKERS

Features:

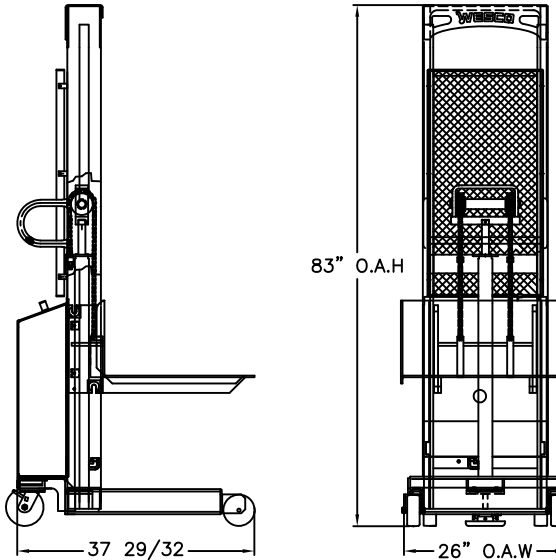
- Adjustable base legs available on fork models.
- Fixed platforms 24x24, 24x27, 30x32
- Reinforced frame and base.
- Double chain, lift support.
- Heavy-duty pump.
- Ergonomic "D" handles.
- 110V AC models available.

FIXED PLATFORM MODELS

Model: **PSPL-68-2427-20S-2K**
 Lift Height: 68"
 O.A.H: 83"
 Weight: 441
 Capacity: 2000 lbs
 Load Center: 15"
 Platform LxW: 24" x 27"
 Base Leg ID/OD: 20"/26"



WIRING DIAGRAM

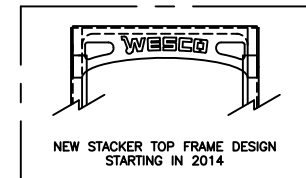


**2,000 LBS POWER STACKER PARTS LIST
64"/68" LIFT**

| | | | |
|-----|--------|------------------------|---|
| 1 | 051180 | HYDRAULIC CYLINDER | 1 |
| 2 | 109101 | POWER UNIT | 1 |
| 3 | 109099 | BATTERY | 1 |
| 4 | 109104 | VOLTMETER | 1 |
| 5 | 052779 | BATTERY CABLE (NEG.) | 1 |
| 6 | 052780 | BATTERY CABLE (POS.) | 1 |
| 7 | 109114 | BOARD: INDICATOR LIGHT | 1 |
| 8 | 109103 | BATTERY CHARGER | 1 |
| 9 | 125824 | HYDRAULIC HOSE | 1 |
| 10 | 052726 | REMOTE CONTROL ASS'Y | 1 |
| 11 | 109116 | SWITCH | 1 |
| 12 | 050782 | LIFT CHAIN ASS'Y | 2 |
| 13 | 050776 | ROLLER CARRIER ASS'Y | 2 |
| 14 | 052010 | FLOOR LOCK | 1 |
| 15 | 053769 | WHEEL | 2 |
| 16 | 150024 | CASTER | 2 |
| 17 | 109117 | SOLENOID | 1 |
| 17A | 109325 | SWITCH | 1 |

HYDRAULIC CYLINDER PARTS LIST

| | | | |
|----|--------|--------------|---|
| 18 | 051193 | CYLINDER | 1 |
| 19 | 051044 | PISTON | 1 |
| 20 | 050006 | CYLINDER CAP | 1 |
| 21 | 220171 | SEAL KIT | 1 |



THIS DRAWING IN ALL PARTICULARS IS WESCO INDUSTRIAL PRODUCTS INC. PROPERTY. ALL RIGHTS OF DESIGN, INVENTION OR USE OF ARE RESERVED.

PRINT ISSUED

OCT. 16, 2006

WESCO MANUFACTURING
ENGINEERING DEPARTMENT

| | | | | |
|--|---------------------------------------|------------------|--------------------------|--------------|
| REV. ECN & DATE | WESCO INDUSTRIAL PRODUCTS INC. | | NORTH WALES PENNA. 19454 | |
| | PART NAME | | DRAWN: KL 08-07-01 | |
| | PSPL-68-2427-20S-2K | | CHECKED: PS 08-16-01 | |
| | TOLERANCE UNLESS OTHERWISE SPECIFIED | | APP. ENGR. | |
| FRACTION 3 PLACE DECIMAL 2 PLACE DECIMAL | | SCALE: 1" = 20" | | |
| ± 1/64 ± .005 ± .01 | | B- 261089 | | |
| ANGULAR ± 1-1/2" | | | | SHEET 1 OF 2 |
| BREAK ALL SHARP EDGES AND REMOVE ALL BURRS | | | | REV |