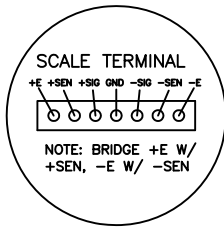
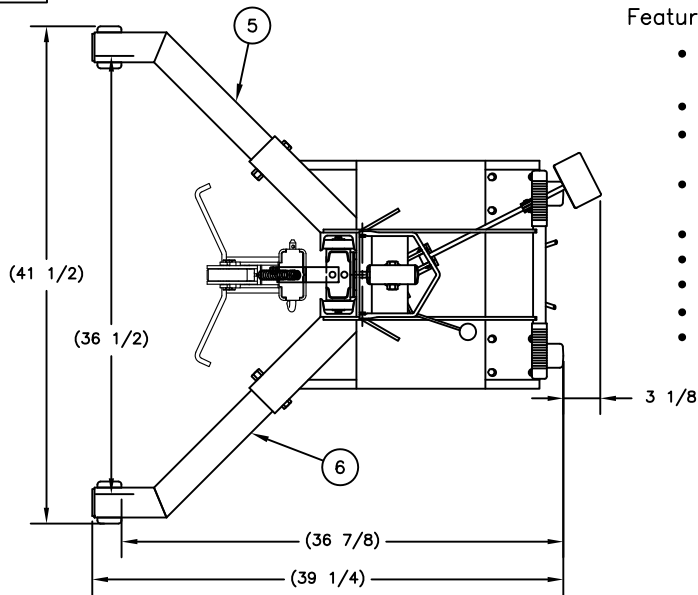
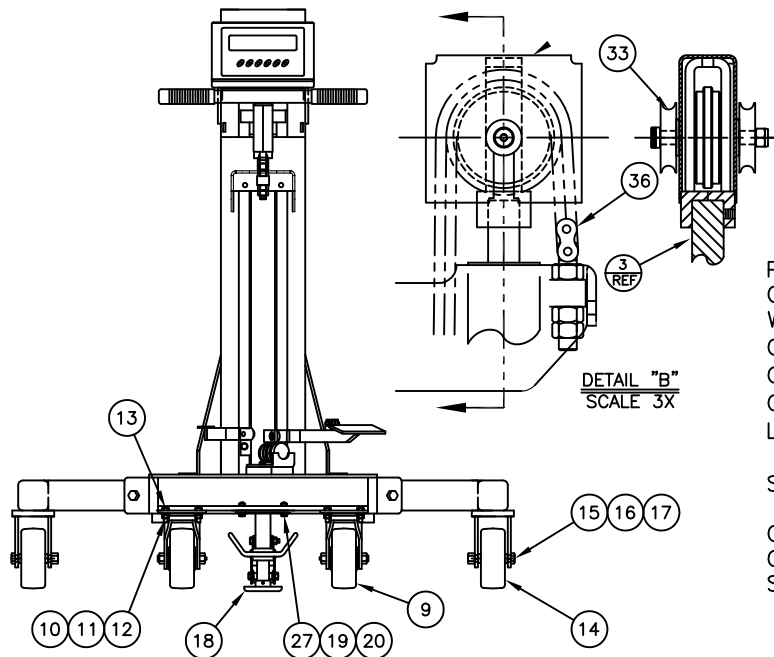
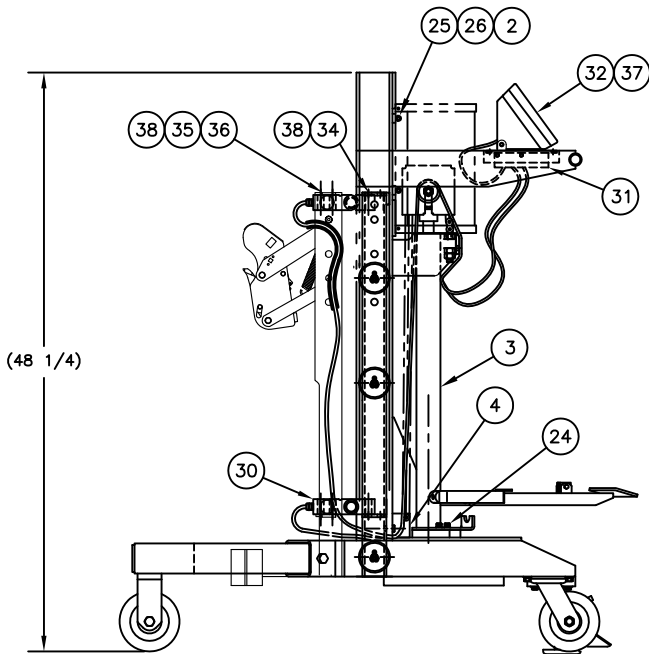
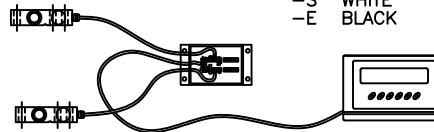


Features:

- Ergonomic solution for lifting, transporting, weighting and placing drums on spill or standard pallets.
- Spring-loaded clamp holds any 3/16" or higher drum rim.
- (2) wheel and (2) swivel casters, 5" X 2" phenolic, and floor lock
- Handles most 30, 55 or 85 gallon drums- Steel, Fiber and Poly
- Works with most drums with locking rings.
- Operator does not need to touch drums to operate.
- Exclusive auto grip lock will not drop a drum.
- Large 1-1/4" LCD scale display
- 120 volt AC or NiMH rechargeable battery operation.



COLOR CODE  
 +E RED  
 +S GREEN  
 GND SHIELD  
 -S WHITE  
 -E BLACK



REPLACEMENT PARTS LIST			
ITEM	PART NO.	DESCRIPTION	QTY.
1	055079	GATOR GRIP JAW ASSEMBLY	1
2	055090	GUARD ASSEMBLY	1
3	055016	HYDRAULIC JACK ASSEMBLY	1
4	055006	CHAIN ANCHOR ADAPTER WLDT	1
5	054932	WELDMENT: L.H. EXTENDED OUTRIGGER	1
6	054933	WELDMENT: R.H. EXTENDED OUTRIGGER	1
7	055286	SLIDE, GATOR GRIP	2
8	055063	ADJUSTMENT PIN	1
9	054267	SWIVEL CASTER ASSEMBLY	2
10	108175	HEX NUT (5/16-18)	8
11	100170	LOCKWASHER (5/16)	8
12	100069	FLAT WASHER (5/16 SAE)	8
13	108149	HEX HD CAP SCR (5/16-18 X 1")	8
14	053769	WHEEL ASSEMBLY	2
15	108174	LOCK HEX NUT (1/2-13 2 WAY REV)	4
16	105311	SPANNER BUSHING	2
17	108161	HEX HD CAP SCR (1/2-13 X 3 1/2)	4
18	492038	FLOOR LOCK ASSEMBLY	1
19	108427	FLAT WASHER (1/4 USS)	4
20	100169	1/4 LOCKWASHER	6
21	108973	CARRIAGE ROLLER	6
22	108941	FLAT WASHER (1 OD X 1/2 ID)	12
23	100457	RING: RETAINING 1/2",HVY. EXT.	6
24	100324	SOC HD CAP SCR (1/4-20 X 3/4)	2
25	104274	TRUS HD SCR (#10-32 X 1/2")	4
26	101221	KEPS NUT (#10-32)	4
27	108918	HEX HD CAP SCR (1/4-20 X 7/8")	4
28	159131	OIPM	1
29	159132	HYDRAULIC JACK OIPM	1
30	109347	LOAD CELL: 1000 KG CAP.	2
31	109348	BOX: JUNCTION LOAD CELL	1
32	270395	DISPLAY UNIT:#247-7	1
33	054942	PULLEY: MODIFIED, SCALE	2
34	109390	SCR: SCKT HD CAP M12X35MM	2
35	109393	SCR: SCKT HD CAP M12X60MM	4
36	109394	NUT: HEX(PLTD) M12 NYLOCK	4
37	272849	BATTERY: REPLACEMENT SCALE	1
38	109395	WASHER: FLAT M12 BLACK	6

P/N 240155  
 Capacity: 1100 lbs  
 Weight: 356 lbs  
 Overall Length: 39 1/4"  
 Overall Width: 41 1/2"  
 Overall Height: 48 1/4"  
 Lift Height: 54" Top of Drum  
 19" Bottom of Drum  
 Scale Accuracy: ±0.5% of Applied Load  
 or 1 lb Whichever is Greater.  
 Operating Temp: 14° F to 104° F  
 Operating Humidity: 10% to 85% Non-Condensing  
 Storage Temp: -4° F to +140° F

THIS DRAWING IS WESCO MFR. CO. PROPERTY. ALL RIGHTS OF DESIGN, INVENTION OR USE OF ARE RESERVED.

PRINT ISSUED

OCT 24 2012

WESCO MANUFACTURING  
 ENGINEERING DEPARTMENT

REV.	DATE	BY	DESCRIPTION
A	10-24-12	APP	DOCUMENTATION AND SPECIFICATION RELEASE

DR		APP	
WESCO MANUFACTURING CO.			
NORTH WALES		PENNA. 19454	
PART NAME		DRAWN: DPR 05-03-12	
DM-1100		CHECKED:	
DRUM MASTER (WESCO)		APP. ENGR.	
TOLERANCE UNLESS OTHERWISE SPECIFIED			
FRACTION		3 PLACE DECIMAL	
± 1/64		± .005	
ANGULAR ± 1-1/2°		SHEET 1 OF 1	
BREAK: ALL SHARP EDGES AND REMOVE ALL BURRS		SCALE: 1/8" = 1"	
C-240155		REV A	