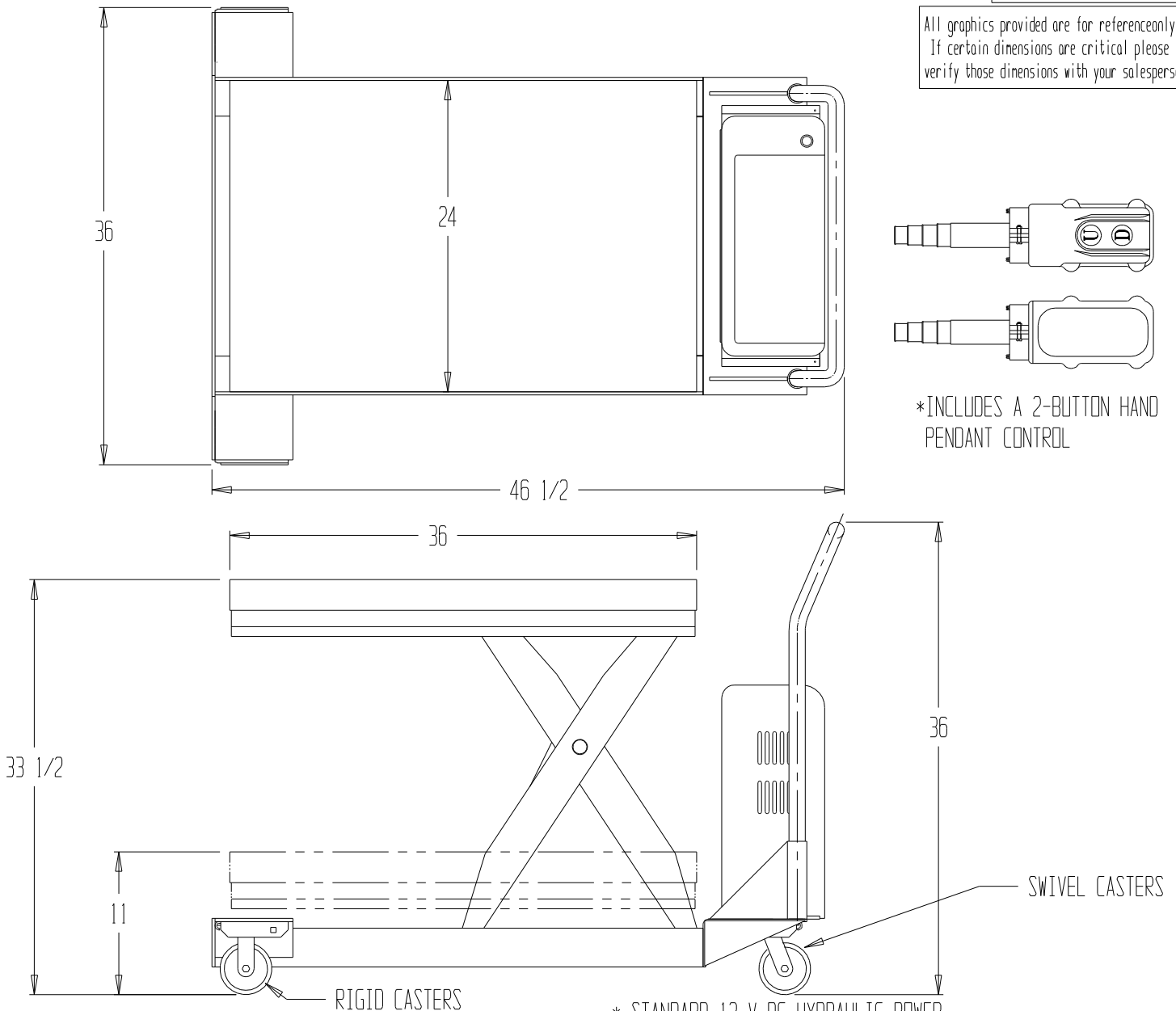


DC POWERED SCISSOR CART, CART-23-10-DC

Any additions, deletions or omissions must be corrected on this drawing, as this drawing will be considered all inclusive.

All graphics provided are for reference only. If certain dimensions are critical please verify those dimensions with your salesperson



STANDARD FEATURES

MODEL NUMBER: CART-23-10-DC
 CAPACITY: 1,000 LBS.
 PLATFORM WIDTH: 24"
 PLATFORM LENGTH: 36"
 PLATFORM LOWERED HEIGHT: 11"
 PLATFORM RAISED HEIGHT: 33 1/2"
 OVERALL WIDTH: 36"
 OVERALL LENGTH: 46 1/2"
 CASTERS: TWO 4 X 2 PHENOLIC SWIVEL
 TWO 4 X 2 PHENOLIC RIGID

PLEASE CIRCLE SPECIFICATIONS:

POWER	AC	DC (12V)	AIR/OIL
MOTOR VOLTAGE	115	208	230 460
DEDICATED CIRCUIT REQUIRED			
MOTOR PHASE	SINGLE	THREE	
CONTROL	HAND	*FOOT	
BATTERY CHRG.	REMOTE	ON-BOARD	
*CHRG. INDICATOR	YES	NO	

* STANDARD 12 V DC HYDRAULIC POWER
 RAISE & LOWER BUTTONS IN TOP OF POWER UNIT

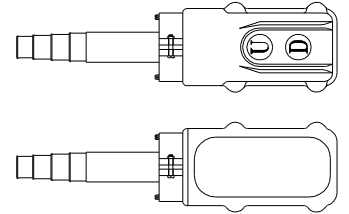
All graphics provided are for reference only. If certain dimensions are critical please verify those dimensions with your salesperson

SPECIAL FEATURES

NONE

**SPECIAL UNITS ARE NON-RETURNABLE
 *AVAILABLE AT ADDITIONAL COSTS

PRODUCTION WILL START UPON RECEIPT OF SIGNED APPROVAL DRAWING



*INCLUDES A 2-BUTTON HAND PENDANT CONTROL

FOR INTERNAL USE ONLY
 PROJECT SIGN OFF

SALES	
ENG	
FAB.	
POWER	

APPROVAL

I, THE UNDERSIGNED, AGREE THAT THE PRODUCT AS REPRESENTED SATISFIES DESIGN & DIMENSION REQUIREMENTS. I ALSO ACKNOWLEDGE MY DUTY TO CONFIRM PRODUCT & INSTALLATION COMPLIANCE WITH ALL APPLICABLE FEDERAL, STATE AND LOCAL REGULATIONS & STANDARDS.

ANY MODIFIED UNITS ARE NON-RETURNABLE

[] As drawn [] As marked

Signed: _____ Date: _____

Printed Name: _____

LEAD TIME WILL START UPON RECEIPT OF SIGNED APPROVAL DRAWING

DISTRIBUTOR'S NAME:

VESTIL MANUFACTURING

P.O.#: -

W.O.#: -

DRAWN BY: -

DATE: -

SALES: -

REFERENCE: -

SCALE: 1:40

DRWG./FILE NAME:

QUOTED LEADTIME: -

QUOTE #: -

CART-23-10-DC