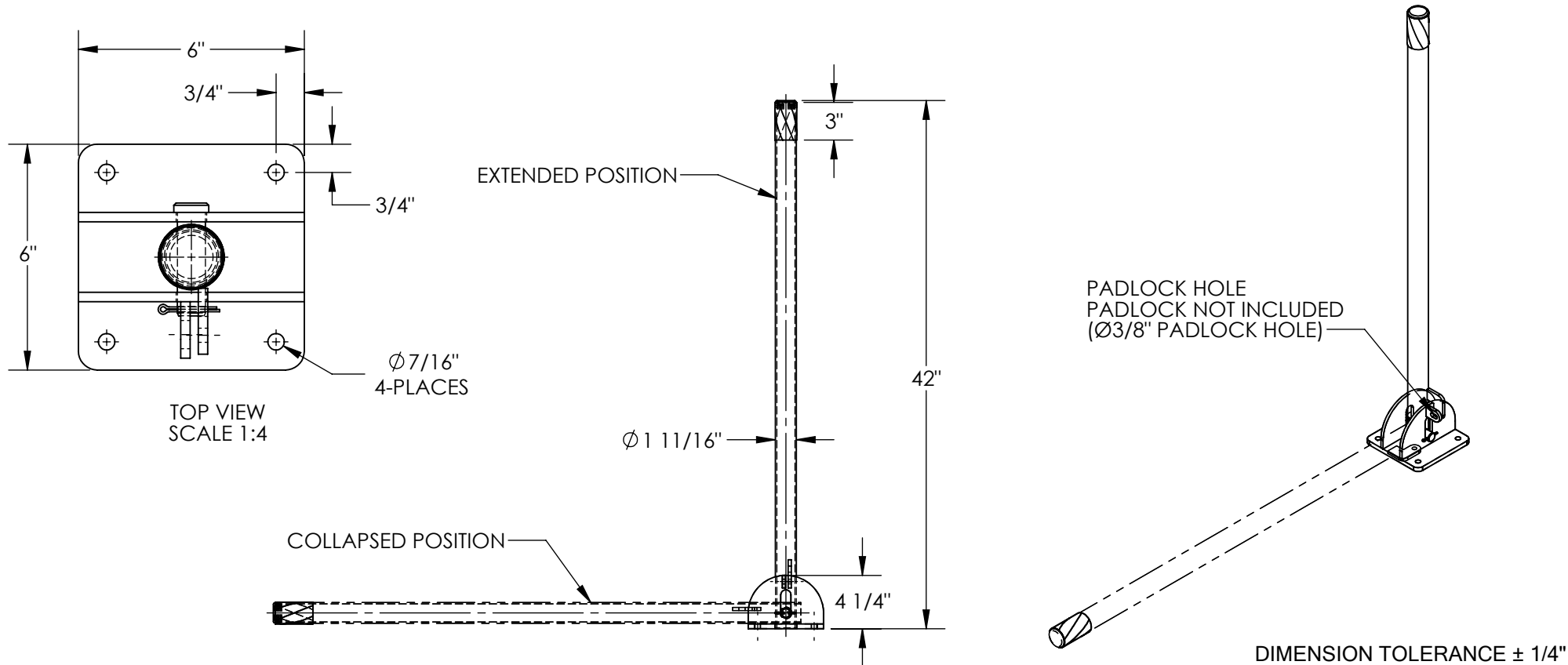


FOLDING BOLLARD - BOL-FD-36-Y

APPROX WEIGHT: 13.02 lbs.
 DOES NOT INCLUDE WEIGHT OF POWER OR PACKAGING!!!

*** ANY ADDITIONS, DELETIONS, OR OMISSIONS MUST BE CORRECTED ON THIS DRAWING AS THIS DRAWING WILL BE CONSIDERED ALL INCLUSIVE ***
 ALL GRAPHICS PROVIDED ARE FOR REFERENCE ONLY. IF CERTAIN DIMENSIONS ARE CRITICAL PLEASE VERIFY THOSE DIMENSIONS WITH YOUR SALESPERSON



DIMENSION TOLERANCE $\pm 1/4"$

STANDARD FEATURES

SPECIAL FEATURES

MODEL NUMBER IS BOL-FD-36-Y
 EXTENDED HEIGHT IS 42"
 COLLAPSED HEIGHT IS 4 1/4"
 BOLLARD DIAMETER IS $\phi 1 11/16"$
 LAG DOWN MOUNTING PLATE: 3/8" x 6" x 6"
 WITH $\phi 7/16"$ MOUNTING HOLES FOR $\phi 3/8"$ HARDWARE
INSTALLATION HARDWARE IS NOT INCLUDED
 BLACK & YELLOW SAFETY STRIPES
 TOUGH BAKED IN POWDER COATED YELLOW FINISH
 ALL STEEL CONSTRUCTION
 (ASTM A-36 MIN.) WITH
 WELDING TO MEET AWS
 WARNING: CHECK APPLICABLE STATE
 & LOCAL LAWS IN YOUR AREA

NONE

APPROVAL

I, THE UNDERSIGNED, AGREE THAT THE PRODUCT AS REPRESENTED SATISFIES DESIGN AND DIMENSION REQUIREMENTS. I ALSO ACKNOWLEDGE MY DUTY TO CONFIRM PRODUCT AND INSTALLATION COMPLIANCE WITH ALL APPLICABLE FEDERAL, STATE AND LOCAL REGULATIONS AND STANDARDS.

ANY MODIFIED UNITS ARE NON-RETURNABLE

As drawn As marked

Signed: _____ Date: _____

Printed Name: _____

LEAD TIME WILL START UPON RECEIPT OF SIGNED APPROVAL DRAWING

| FOR INTERNAL USE ONLY PROJECT SIGN OFF | |
|---|--|
| SALES | |
| ENG. | |
| FAB. | |
| POWER | |

| | | |
|----------------------|------------------|----------------|
| DISTRIBUTOR'S NAME: | | P.O.# |
| VESTIL MANUFACTURING | | X |
| DRAWN BY: ALH | DATE: 09/28/2011 | W.O.# |
| REFERENCE: X | SCALE: 1:12 | X |
| QUOTED LEAD TIME: X | QUOTE # | SALES: X |
| | X | FILE NAME: |
| | | 23-007-191-001 |