

Provides maximum protection against forklift accidents

Rated for 10,000lb impact at 4 mph

In stock for quick delivery

## HEAVY DUTY GUARD RAIL

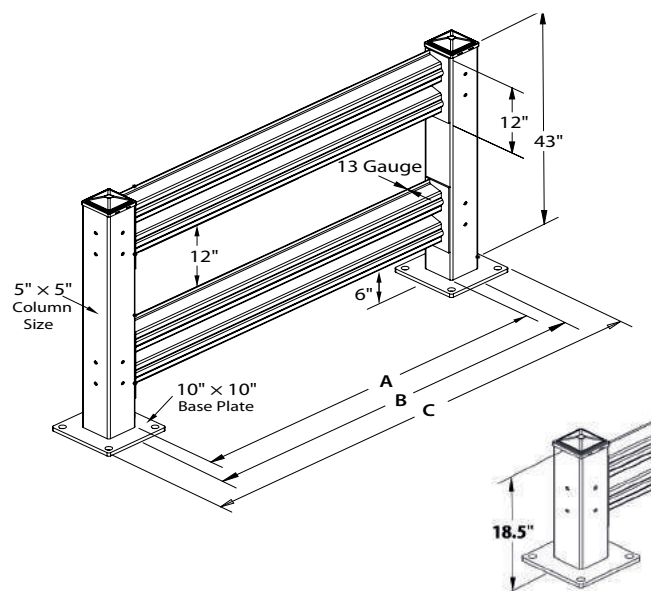
Handle-It® Safety Guard Rail is manufactured from 13 gauge high quality ASTM A1011 steel, making it a heavy duty solution for guarding from fork truck impacts. Guard Rail is designed to create a barrier around machinery, stock, workstations, in-plant offices, water mains, mezzanines, and pedestrian walkways.

### Features & Benefits

- Tested to withstand impacts of 10,000lbs at 4 mph
- Posts have pre-tapped holes on all four sides. Enables 90° turns without additional hardware or special posts
- Steel caps, floor anchors, and bolts included
- Columns are 4.75" x 4.75" square steel tube on 10" x 10" base plate. Center, offset, or corner footplates available
- Guard rail is powder coated for a durable finish
- 43" tall double rails or 18" tall single rails
- Standard product stocked, custom lengths avail.



Double Rail System



Single Rail System

### Guard Rail Dimensions

Part	A	B	C
	Rail Length	Center to Center of Columns	Outside to Outside of Base Plates
GR-10	115"	120"	130"
GR-9	103"	108"	118"
GR-8	91"	96"	106"
GR-7	79"	84"	94"
GR-6	67"	72"	82"
GR-5	55"	60"	70"
GR-4	43"	48"	58"
GR-3	31"	36"	46"
GR-2	19"	24"	34"

**Note:**

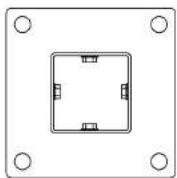
- Add 1" to overall dimension (B or C) if Lift Out Adapters or Down Guard Adapters are being used
- Add 1.5" to dimensions B or C if adding Hinge or Gate



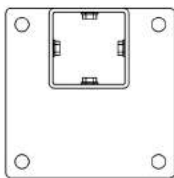
## Ordering Information

Model Number	Description	Weight (lbs.)	Rail Thickness	Rail Height
<b>Guard Rail</b>				
GR-10	10' Rail	52	13 Gauge	12"
GR-9	9' Rail	47	13 Gauge	12"
GR-8	8' Rail	43	13 Gauge	12"
GR-7	7' Rail	38	13 Gauge	12"
GR-6	6' Rail	33	13 Gauge	12"
GR-5	5' Rail	28	13 Gauge	12"
GR-4	4' Rail	23	13 Gauge	12"
GR-3	3' Rail	19	13 Gauge	12"
GR-2	2' Rail	14	13 Gauge	12"
<b>Standard Columns</b>				
CS-1	Single Rail Column	31		
CS-2	Double Rail Column	52		
CS-3	Triple Rail Column	52		
<b>Special Options</b>				
LOA	Lift-Out Adapter (Pair)	12		
DGA	Down Guard Adapter	13		
AA-45	Angle Adapter	12		
SG-3654A	Adj. Self Closing Ped. Gate	37		
CSC-1	Single Rail Corner Column	31		
CSO-1	Single Rail Offset Column	31		
CSC-2	Double Rail Corner Column	52		
CSO-2	Double Rail Offset Column	52		

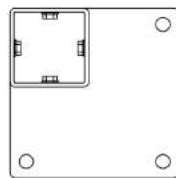
All assembly and 3/4" anchoring hardware and caps included. Bolt holes located on all four sides of the column.



Standard Column (CS)



Offset Column (CSO)



Corner Column (CSC)

## Guard Rail Special Options



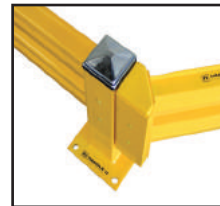
### Lift-Out Adapter

To access equipment or space behind the guard rail system, Lift-Out Adapters are available. These adapters use slot assemblies on the columns to allow the rails to be removed and then dropped back into place.



### Down Guard Adapter

Holds the bottom rail down to the column base plates and closes the gap between the bottom of the rail and the floor. Provides low-height protection that is easily removed.



### 45° Angle Adapter

Allows a guard rail system to closely follow the contour of what is being protected while maximizing floor space.



### Adj. Self-Closing Pedestrian Gate

Adjustable self closing pedestrian gate attaches to our guard rail columns. It has a width range of 36"-54" and is useful in walkways.

## Protection Equipment Specification

To ensure proper protection, consider the following:

- Measure the overall length of the area to be protected.
- Is there a protruding object or other unusual configuration to measure? (i.e. going around corners, etc.)
- Is this a single, double, or triple-high rail application?
- Placing protection equipment a minimum of 12" in front of what you're protecting is required to achieve the proper protection.

For More Information: 866-333-0728  
 Custom Equipment Company  
 Sales: sales@customMhs.com

www.customMhs.com