

Tool List

Tape Measure
Chalk Line
Masonry Drill
Masonry Drill Bits
Socket Set
Impact Wrench
Hammer
Level
Wrench Set

Hardware Kit List

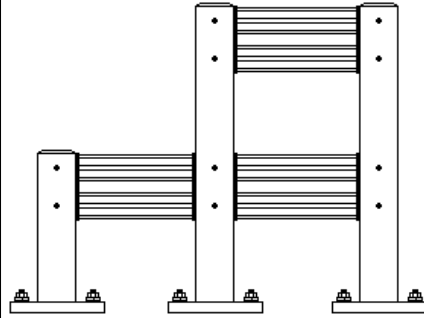
Included with each column:

Single Column

1 Post cover
4 Bolts
4 Lock Washers
4 Spacer Washers
4 Concrete Anchors
6 Hole Covers

Double Column

1 Post cover
8 Bolts
8 Lock Washers
8 Spacer Washers
4 Concrete Anchors
12 Hole Covers



Guard Rail Configuration

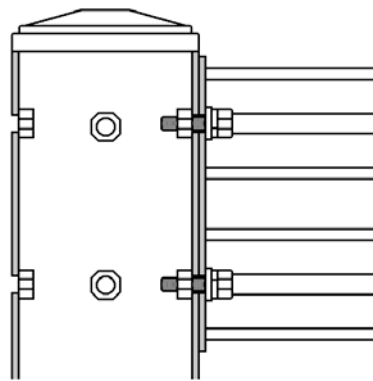


Figure 1 – Cut-Away View

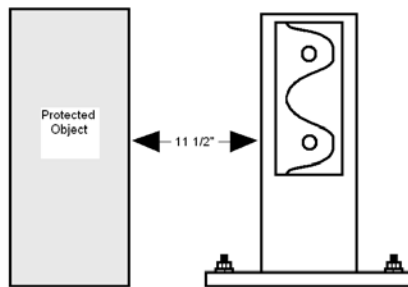


Figure 2 – Rail Placement

Instructions

Please read and understand these instructions before attempting to install Handle-It® guard rail. Handle-It® assumes no responsibility for improperly installed guard rail.

1. Be sure the area on which the guard rail will be installed is clean.
2. It is recommended that the items be laid out where they are to be installed prior to installation.
3. Strike a chalk line at least 9" from the area to be protected by the guard rail. This line will be where the back of the base plate will rest when installed. In this way, the back of the rail will be at least 12" away from the object being protected.
4. Place the column base plate back edges on the chalk line as described above. Do not anchor the columns at this time.
5. Using the provided hardware, bolt the rails into place on the columns as seen in Figure 1. The front of the rail with the Handle-It logo should face away from the protected object as seen in Figure 2. Please Note: When installing Lift Out Adaptor option, the included lock washers are not required.
6. Once the rails have been assembled, anchor the columns to the floor by drilling the holes to the proper depth. Be sure to blow the drill dust out of the holes before inserting the anchors. Drive the anchors through the holes in the column base until firmly seated. Tighten nut to the anchor to secure the column in place.