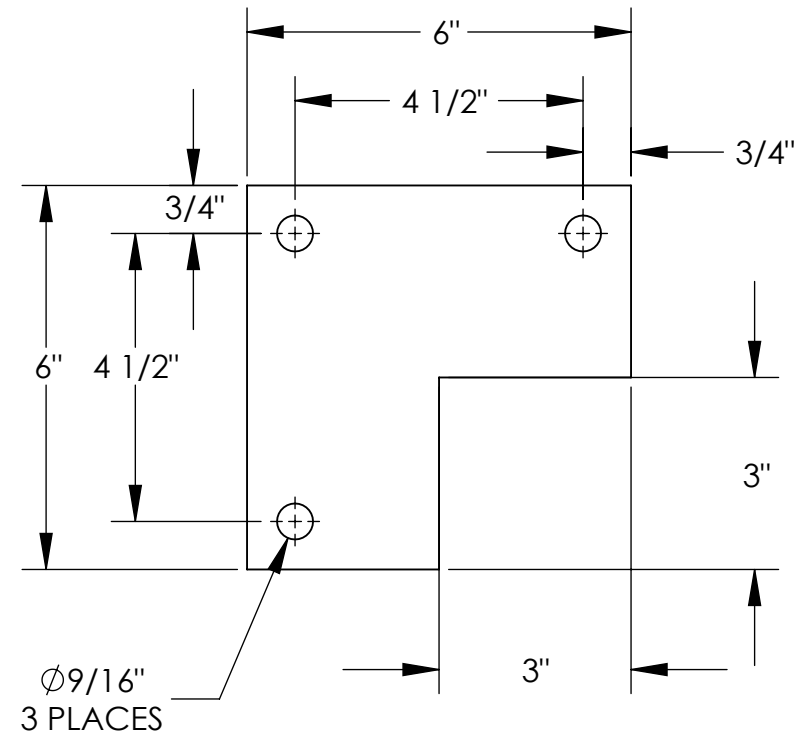
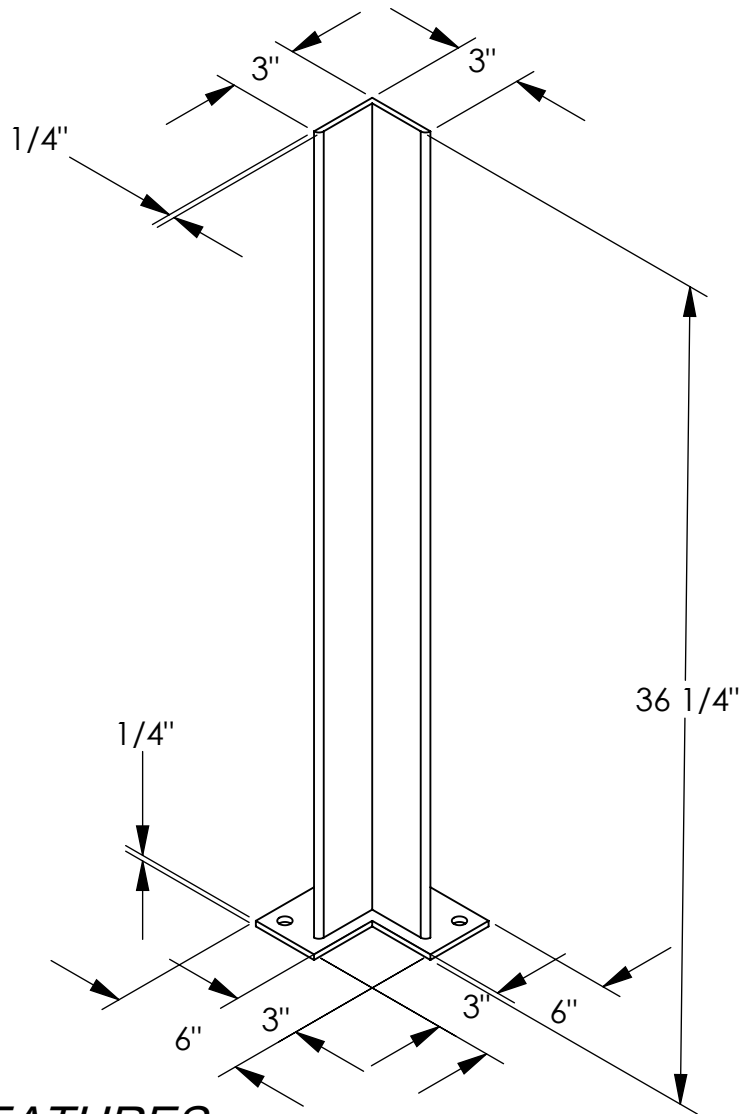


# OVERHEAD DOOR TRACK PROTECTOR, DSP-36

APPROXIMATE WEIGHT IS: 16.16 lbs.

\*\*\* ANY ADDITIONS, DELETIONS, OR OMISSIONS MUST BE CORRECTED ON THIS DRAWING AS THIS IS FOR REFERENCE ONLY. IF CERTAIN DIMENSIONS ARE CRITICAL PLEASE VERIFY THOSE DIMENSIONS



**ALL SPECIAL UNITS ARE NON-RETURNABLE**

**A  
P  
P  
R  
O  
V  
A  
L**

I, the undersigned, hereby approve this print.  
This includes my approval of design & dimensions

[ ] As drawn      [ ] As marked

Signed: \_\_\_\_\_ Date: \_\_\_\_\_

**LEAD TIME WILL START UPON RECEIPT OF SIGNED APPROVAL DRAWING**

## STANDARD FEATURES

- MODEL NUMBER IS DSP-36
- OVERALL WIDTH IS 6"
- OVERALL LENGTH IS 6"
- OVERALL HEIGHT IS 36 1/4"
- BASE PLATE: 1/4" X 6" X 6"
- MOUNTING HOLES: (3) - Ø9/16"
- GUARD ANGLE: 1/4" X 3" X 3" Hot Rolled Steel

DISTRIBUTOR'S NAME: <b>VESTIL MANUFACTURING</b>		P.O.# X
DRAWN BY: ND		W.O.# X
DATE: 11/7/05	SCALE: 1:7	SALES: X
REFERENCE: X	QUOTE # X	FILE NAME: 29-007-028