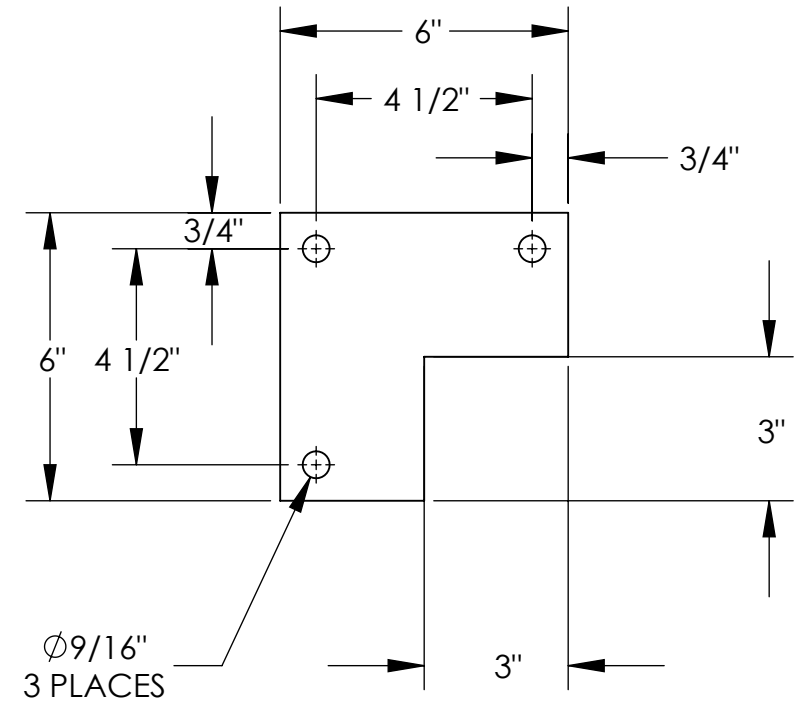
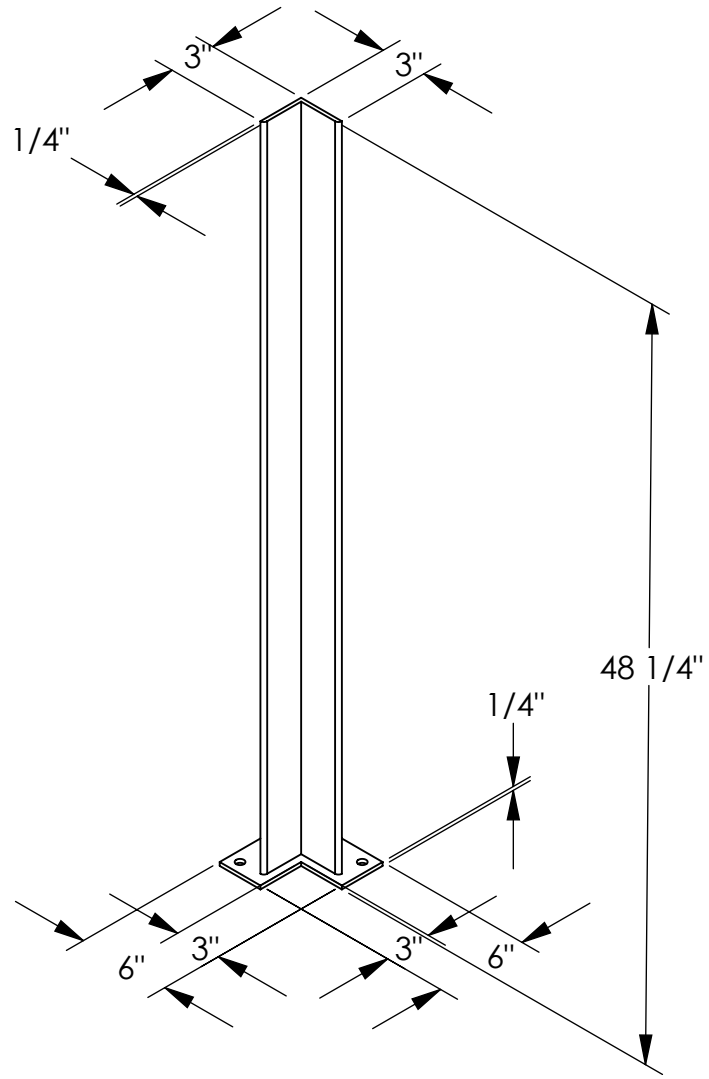


OVERHEAD DOOR TRACK PROTECTOR, DSP-48

APPROXIMATE WEIGHT IS: 20.93 lbs.

*** ANY ADDITIONS, DELETIONS, OR OMISSIONS MUST BE CORRECTED ON THIS DRAWING AS THIS DRAWING WILL BE CONSIDERED ALL INCLUSIVE ***

ALL GRAPHICS PROVIDED ARE FOR REFERENCE ONLY. IF CERTAIN DIMENSIONS ARE CRITICAL PLEASE VERIFY THOSE DIMENSIONS WITH YOUR SALESPERSON



ALL SPECIAL UNITS ARE NON-RETURNABLE

A P P R O V A L

I, the undersigned, hereby approve this print.
This includes my approval of design & dimensions

[] As drawn [] As marked

Signed: _____ Date: _____

LEAD TIME WILL START UPON RECEIPT OF SIGNED APPROVAL DRAWING

STANDARD FEATURES

- MODEL NUMBER IS DSP-48
- OVERALL WIDTH IS 6"
- OVERALL LENGTH IS 6"
- OVERALL HEIGHT IS 48 1/4"
- BASE PLATE: 1/4" X 6" X 6"
- MOUNTING HOLES: (3) - Ø9/16"
- GUARD ANGLE: 1/4" X 3" X 3" Hot Rolled Steel

DISTRIBUTOR'S NAME: VESTIL MANUFACTURING		P.O.# X
DRAWN BY: ND		W.O.# X
DATE: 11/7/05	SCALE: 1:10	SALES: X
REFERENCE: X	QUOTE # X	FILE NAME: 29-007-029