

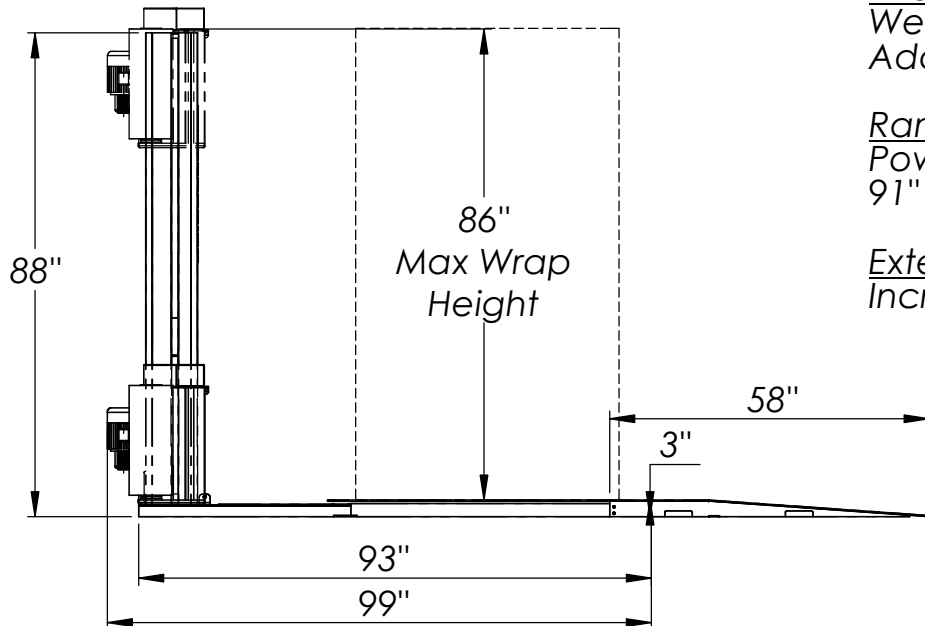
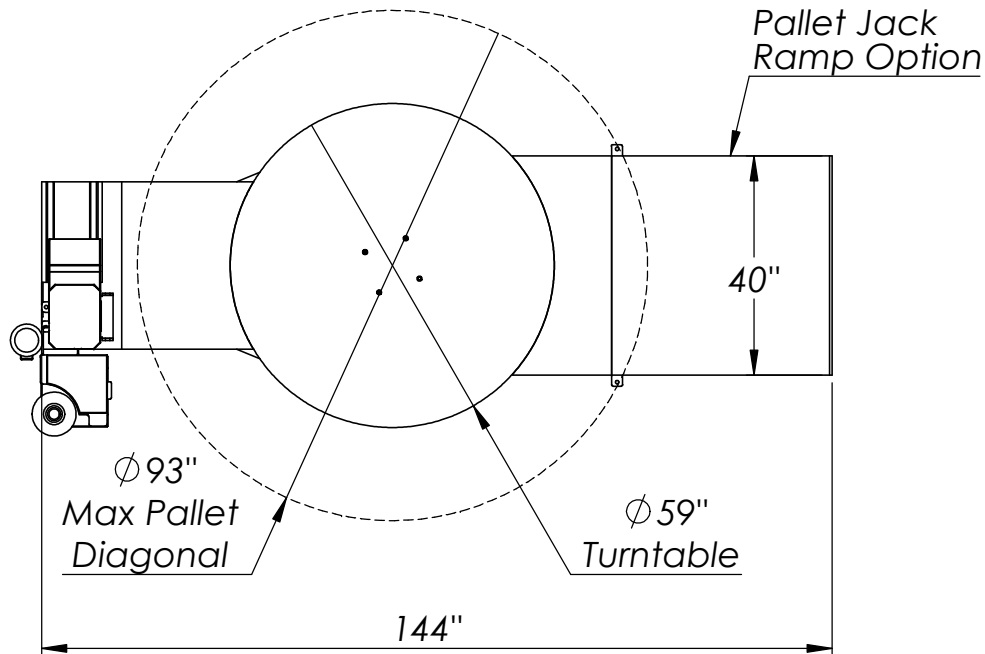
SWM-SA-0850PS

Max Capacity: 4400 lbs

Max Volume: 100 Pallets/Day

Weight: 600 lbs

Film Spec: 20" 70ga Machine Film
w/ 3" Core



Integrated Scale Option:
Weighs Pallet Loaded on Machine
Adds 2.75" To Overall Height

Ramp Extension Option:
Powered Pallet Jacks
91" Long

Extended Height Option:
Increases Wrap Height to 98"

