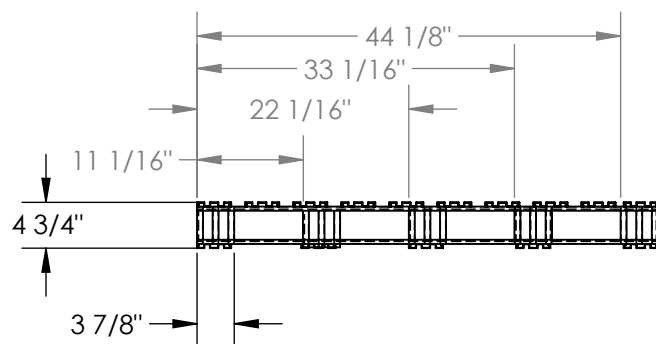
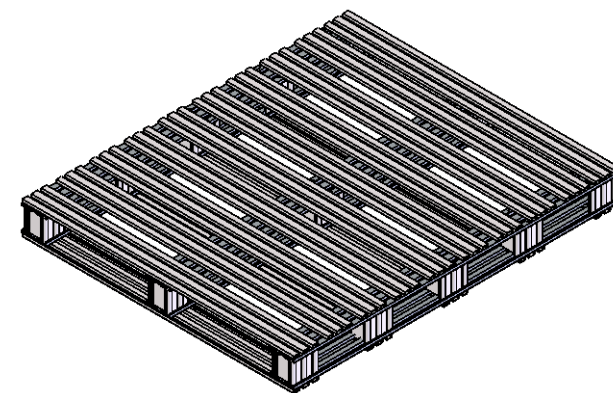
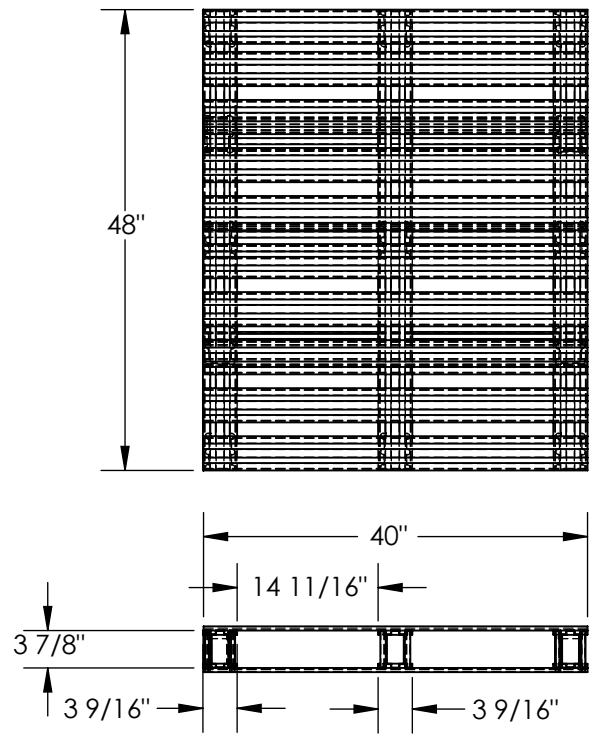


# STEEL PALLET WITH GALVANIZED FINISH - SPL-4048

\*\*\* ANY ADDITIONS, DELETIONS, OR OMISSIONS MUST BE CORRECTED ON THIS DRAWING AS THIS DRAWING WILL BE CONSIDERED ALL INCLUSIVE \*\*\*  
 ALL GRAPHICS PROVIDED ARE FOR REFERENCE ONLY. IF CERTAIN DIMENSIONS ARE CRITICAL PLEASE VERIFY THOSE DIMENSIONS WITH YOUR SALESPERSON



## STANDARD FEATURES

- MODEL NUMBER IS SPL-4048
- OVERALL WIDTH IS 40"
- OVERALL LENGTH IS 48"
- OVERALL HEIGHT IS 4 3/4"
- FLOOR (STATIC) WEIGHT CAPACITY: 8,000 LBS
- FORK (DYNAMIC) WEIGHT CAPACITY: 4,000 LBS
- UNSUPPORTED PALLET RACK WEIGHT CAPACITY: 2,200 LBS
- FORK OPENINGS (W X H): 14 11/16" X 3 7/8"
- GALVANIZED FINISH FOR RUST RESISTANCE
- MATERIAL THICKNESS IS 19 GA. (1 mm OR .042")

## SPECIAL FEATURES

NONE

DIMENSION TOLERANCE ± 1/2"

|  |  |             |
|--|--|-------------|
| A<br>P<br>P<br>R<br>O<br>V<br>A<br>L                         | I, THE UNDERSIGNED, AGREE THAT THE PRODUCT AS REPRESENTED SATISFIES DESIGN AND DIMENSION REQUIREMENTS. I ALSO ACKNOWLEDGE MY DUTY TO CONFIRM PRODUCT AND INSTALLATION COMPLIANCE WITH ALL APPLICABLE FEDERAL, STATE AND LOCAL REGULATIONS AND STANDARDS. |             |
|  | <b>ALL SPECIAL UNITS ARE NON-RETURNABLE</b>  |             |
|  | [ ] As drawn      [ ] As marked  |             |
| Signed: _____  |  | Date: _____ |
| LEAD TIME WILL START UPON RECEIPT OF SIGNED APPROVAL DRAWING |  |             |

|   |  |
|---|--|
| FOR INTERNAL USE ONLY<br>PROJECT SIGN OFF |  |
| SALES                                     |  |
| ENG.                                      |  |
| FAB.                                      |  |
| POWER                                     |  |

|                      |                |            |
|----------------------|----------------|------------|
| DISTRIBUTOR'S NAME:  |                | P.O.#      |
| VESTIL MANUFACTURING |                | X          |
| DRAWN BY: DY         | DATE: 12/29/10 | W.O.#      |
| REFERENCE: X         | SCALE: 1:24    | X          |
| QUOTED LEAD TIME: X  | QUOTE #        | FILE NAME: |
|                      | X              | 30-007-116 |