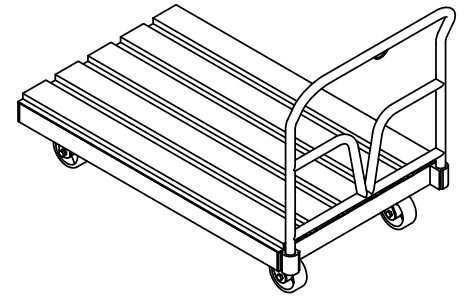
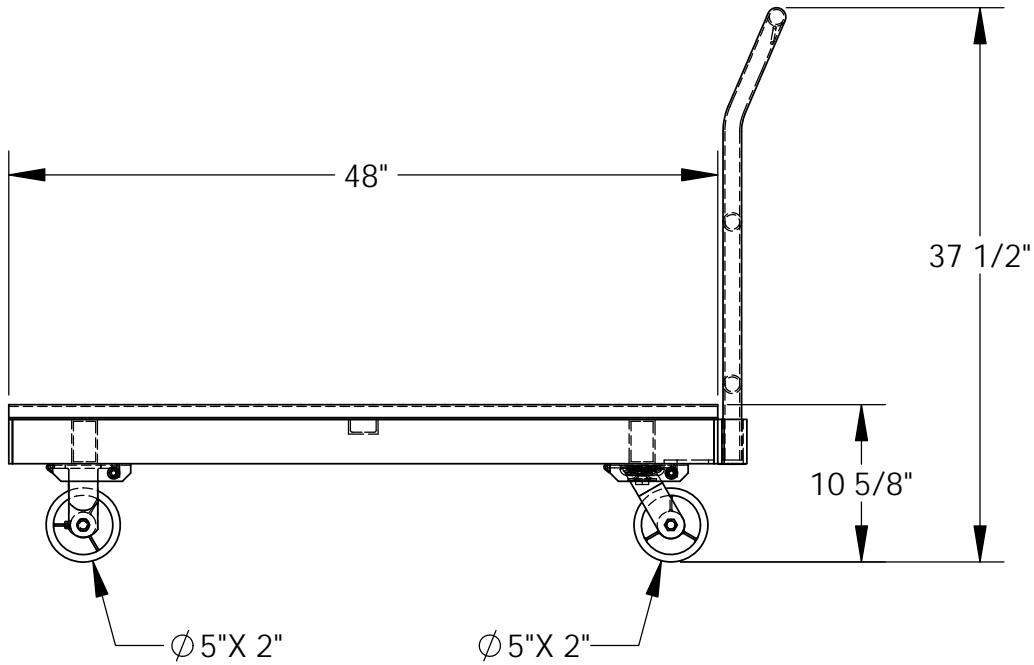
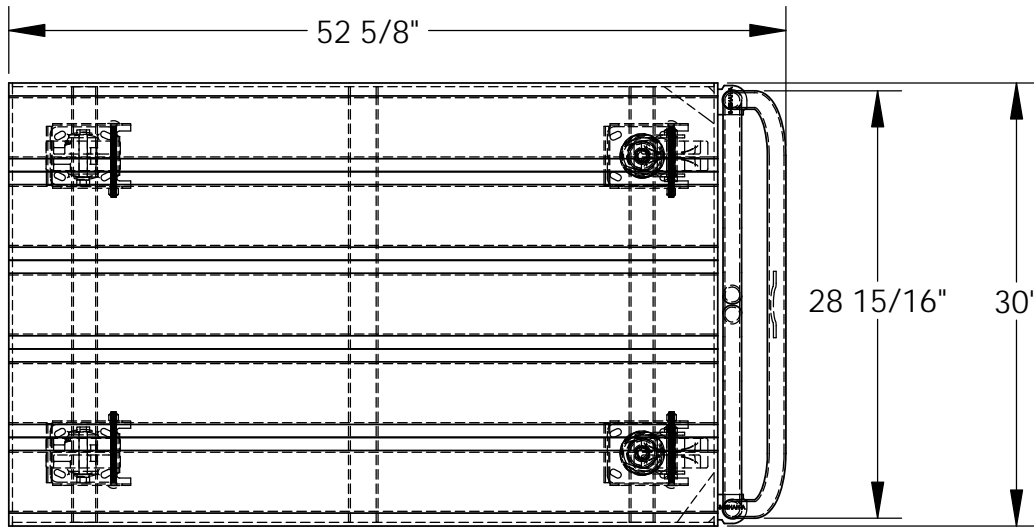


ALUMINUM CHANNEL PLATFORM TRUCK-SDD-3048

APPROX WEIGHT: 98.47 lbs.
DOES NOT INCLUDE WEIGHT OF POWER OR PACKAGING!!!

ANY ADDITIONS, DELETIONS, OR OMISSIONS MUST BE CORRECTED ON THIS DRAWING AS THIS DRAWING WILL BE CONSIDERED ALL INCLUSIVE



3D VIEW SHOWN FOR REFERENCE ONLY

FOR INTERNAL USE ONLY	
PROJECT SIGN OFF	
SALES	
ENG.	
FAB.	
POWER	

ALL GRAPHICS PROVIDED ARE FOR REFERENCE ONLY. IF CERTAIN DIMENSIONS ARE CRITICAL PLEASE VERIFY THOSE DIMENSIONS WITH YOUR SALESPERSON

STANDARD FEATURES

- MODEL NUMBER IS SDD-3048
- UNIFORM CAPACITY IS 3600 LBS.
- OVERALL WIDTH IS 30"
- USABLE WIDTH IS 30"
- OVERALL LENGTH IS 52 5/8"
- USABLE LENGTH IS 48"
- OVERALL HEIGHT IS 37 1/2"
- PLATFORM HEIGHT IS 10 5/8"
- (2) Ø5 X 2 POLY-ON-STEEL SWIVEL CASTERS
- (2) Ø5 X 2 POLY-ON-STEEL RIGID CASTERS
- HANDLE WIDTH IS 28 15/16"
- ALUMINUM CONSTRUCTION

SPECIAL FEATURES

NONE

APPROVAL	I, THE UNDERSIGNED, AGREE THAT THE PRODUCT AS REPRESENTED SATISFIES DESIGN AND DIMENSION REQUIREMENTS. I ALSO ACKNOWLEDGE MY DUTY TO CONFIRM PRODUCT AND INSTALLATION COMPLIANCE WITH ALL APPLICABLE FEDERAL, STATE AND LOCAL REGULATIONS AND STANDARDS.	
	ANY MODIFIED UNITS ARE NON-RETURNABLE	
	[] As drawn [] As marked	
	Signed: _____	Date: _____
	Printed Name: _____	
LEAD TIME WILL START UPON RECEIPT OF SIGNED APPROVAL DRAWING		

DISTRIBUTOR'S NAME:		P.O.#
VESTIL MANUFACTURING		X
		W.O.#
DRAWN BY: ND		X
DATE: 12/21/05		SALES: X
REFERENCE: X	SCALE: 1:13	FILE NAME:
QUOTED LEAD TIME: X	QUOTE # X	33-007-044