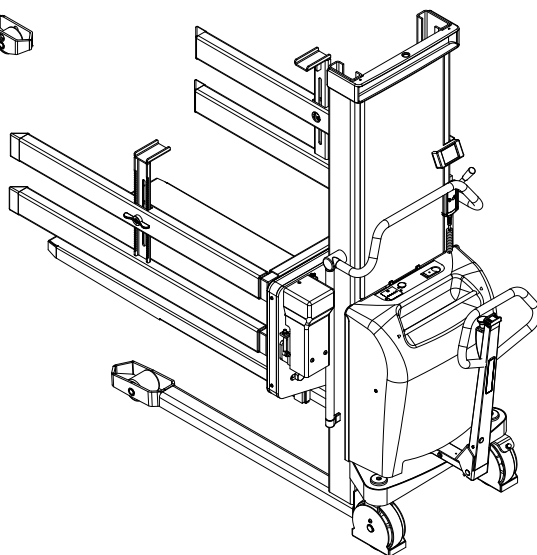
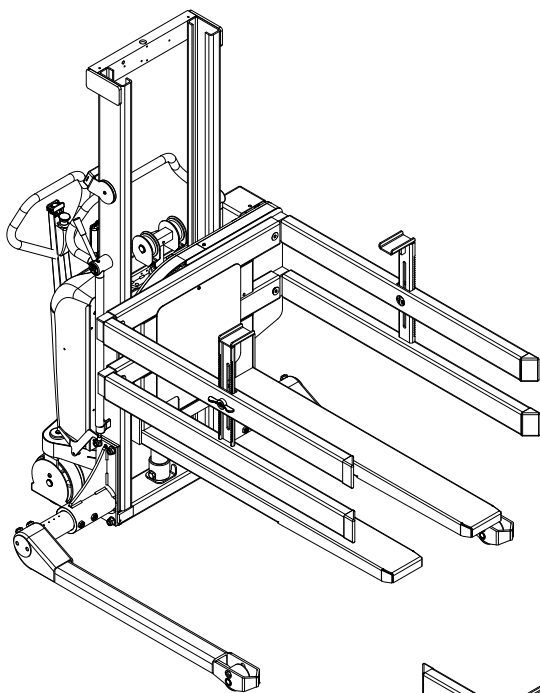


# ROTATOR- ELFR/ELFSR\_ELFR/ELFSRA







# Contents

<b>1.0 Before the first lift...</b>	4
<b>2.0 Functions and identifications</b>	5
2.1 Box holder	6
2.2 Box holders with clamps	7
2.3 Box holder - adjustable (ELFRA/ELFSRA)	7
<b>3.0 How to operate the Rotator</b>	8
3.1 Pallet handling	8
3.2 Use of the Rotator	9
3.3 Remote control MR-1 / Lifting-Lowering-Rotation	10
3.4 User-Interface LUI-1 Rotator	11
3.5 Setting up User-Interface LUI-1 Rotator	11
3.5.1 Home display	11
3.5.2 Display for Setup	12
3.5.3 Setting of rotation speed	12
3.5.4 Setting of stop position	13
3.5.5 Deleting stop positions	13
<b>4.0 Optimum safety</b>	14
4.1 Safety regulations	14
4.2 Avoid overloads	15
4.3 Avoid offset loads	16
4.4 Rotation range	16
4.5 Driving loaded	18
4.6 Rotation with load	18
4.7 Emergency braking and Emergency stop	19
<b>5.0 There must be a current supply...</b>	20
5.1 Fuses - replacement	20
5.2 Wiring connections	20
<b>6.0 Long live the Rotator</b>	21
6.1 Lubrication and hydraulic oil	21
6.2 Oil change	21
6.3 The hydraulic pump and the gear motor	22
6.4 Fork adjustment	22
6.5 Adjustment of lifting chain	23
6.6 Adjustment of steering wheel chains	23
6.7 Adjustment of side play	24
6.8 Adjusting the Rotator	25
6.9 Claning	27
<b>7.0 Fault location key</b>	28
<b>8.0 Good service after purchase</b>	30
8.1 Ordering spare parts	30
8.2 Warranty/Compensation	30
8.3 Service and repair	30
8.4 Warranty	30
8.5 Liability exemption	30



## 1.0 Before the first lift...

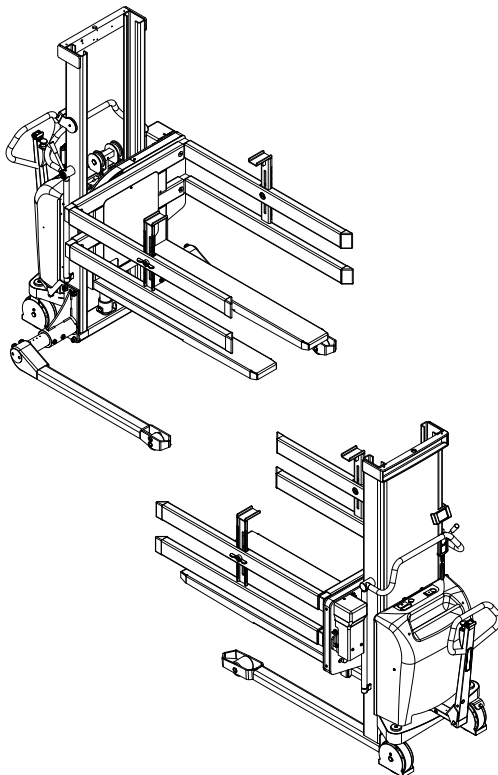
The Rotator is manufactured in accordance with safety directives.

Among other subjects dealt with in this Instruction Manual are:



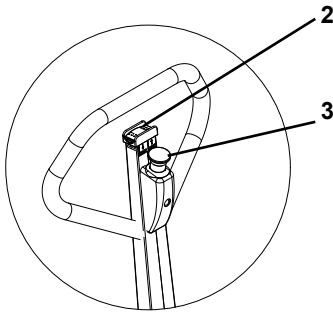
- Proper application
- Physical limitations of the product
- Risks with improper use

Therefore please read this Instruction Manual carefully!

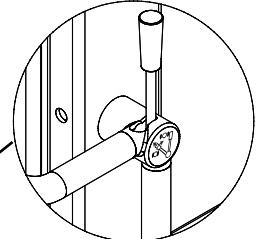




## 2.0 Functions and identifications



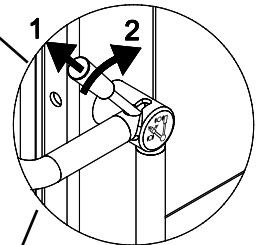
Released position



To release the brake:

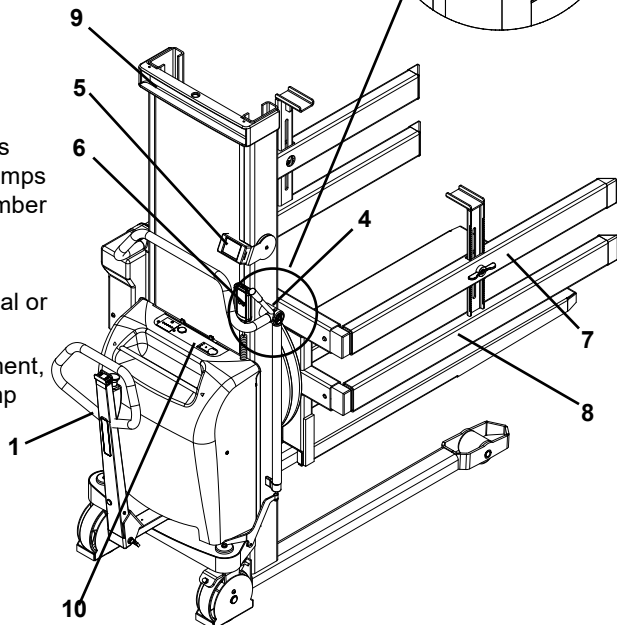
1. Pull
2. Push

Braked position



1. Handle
2. Lift/Lower
3. Emergency stop
4. Brake
5. User-Interface
6. Remote control
7. Box holder with clamps
8. Box holder without clamps
9. Name plate, serial number
10. Instrument board :

- Battery indicator
- Charging plug (internal or external charger)
- Plug for extra equipment, 12V maximum 15 Amp



## 2.0 Functions and identifications

---

### 2.1 Box holder

The Rotator can be equipped with one or two sets of box holders, adjusted for different box sizes. When loosening the screw (A), the box holder can be moved between the four different positions.

**NOTE!** The screw has to be tightened, before using the product.

#### Setting of distance between box holders

**Fork span 560 mm:** Distance between box holders of 840, 890, 1000 or 1040 mm, for box widths of 800, 850, 950 or 1000 mm.

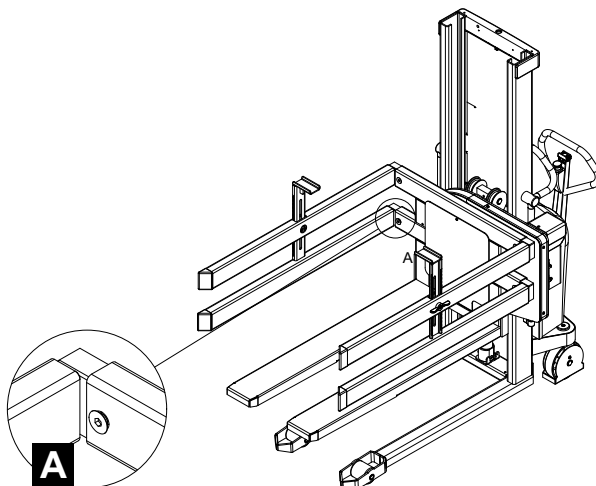
**Fork span 680 mm:** Distance between box holders of 1040, 1090, 1200 or 1240 mm, for box widths of 1000, 1050, 1150 or 1200 mm.

#### Setting of height

The box holders can be placed in two different heights:

- It is important that the box holders are placed approx. on the level of or above the load centre of the load.
- Use two box holders in each side:
  1. When the weight of the load is between 500 and 1000 kg.
  2. For high boxes or when the material of the box is unstable, e.g. cardboard

**NOTE!** If the box holders have no clamps, the load is not allowed to be tilted more than 60° to each side.



## 2.0 Functions and identifications

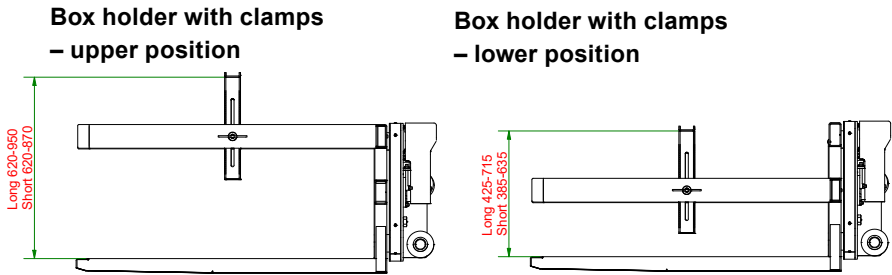
---

### 2.2 Box holders with clamps

If the box can fall off, or if it has to be tilted more than 60°, box holders with clamps have to be used.

Box holders with clamps can grip, hold and rotate boxes with different heights.

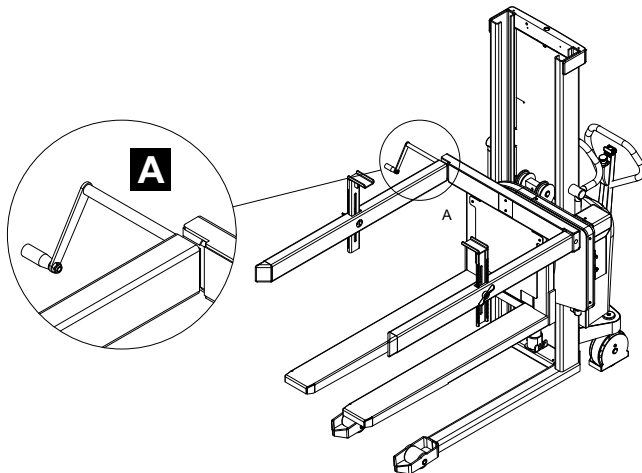
The clamps are to be tightened when the box is lifted from the floor.



### 2.3 Box holder - adjustable (ELFRA/ELFSRA)

If handling boxes with different widths, Rotator can be provided with adjustable box holders.

Using the handle (A), adjust the width of the box holders to fit different box widths (between 800 mm and 1200 mm).

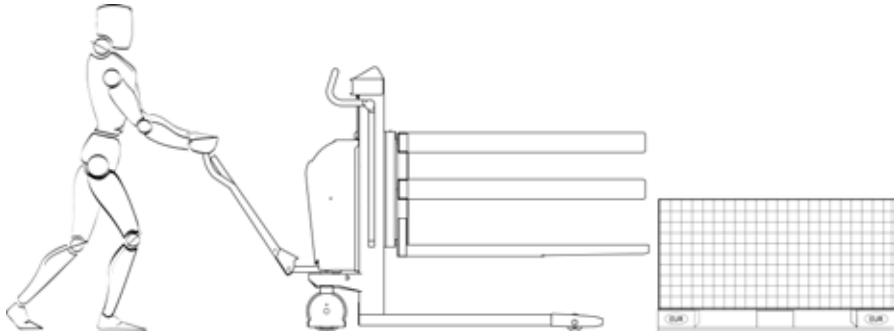




## 3.0 How to operate the Rotator

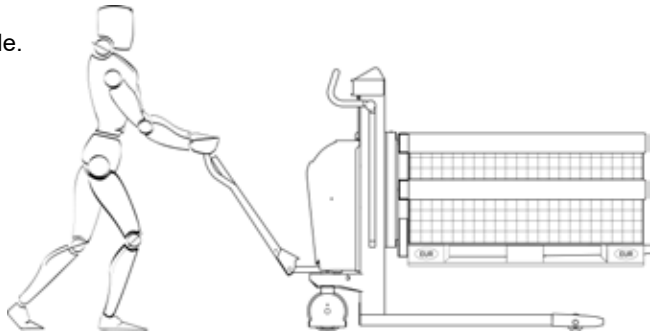
### 3.1 Pallet handling

The Rotator functions as an ordinary stacker, when the forks are placed in horizontal position.

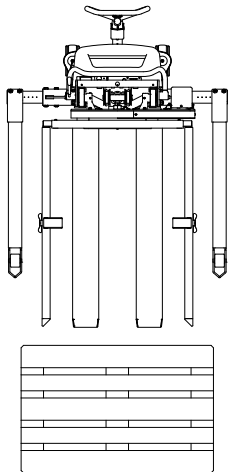


For proper operation,  
stand behind the handle.

Push/pull - lift/lower

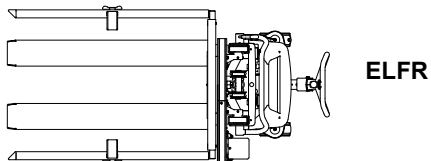


**ELFSR**



**When handling closed pallets**

- use the Rotator with straddle legs!



**ELFR**



## 3.0 How to operate the Rotator

---

### 3.2 Use of the Rotator

**Condition:** The upper edge of the forks is lifted between 400 and 900 mm.

The load can be rotated 360° with one adjustable stop in every side.

**Note!** To continue the tilt function from the horizontal position, the tilt switch has to be released and activated in the requested tilt direction.



**NOTE!**

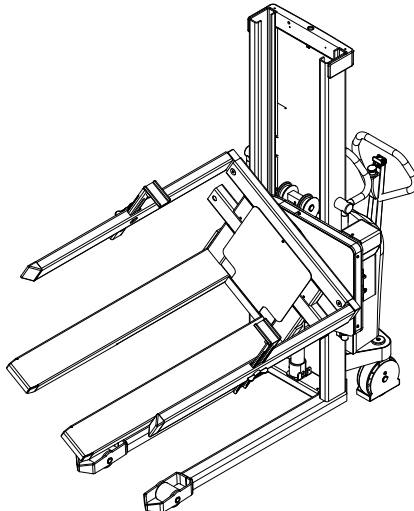
**The load has to be supported sideways before tilting.**

To lower the forks fully or to lift higher than 900 mm, the forks have to be placed in horizontal position.

#### **Soft acceleration / deceleration**

The Rotator has soft acceleration / deceleration with the following benefits:

- The rotation stops precisely
- The gear is protected, because sudden start / stop are minimised.



### 3.0 How to operate the Rotator

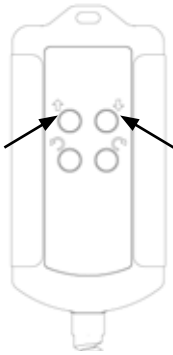
---

#### 3.3 Remote control MR-1 / Lifting-Lowering-Rotation

The remote control is used for:

- Lifting/lowering the forks/load
- Rotating the forks/load

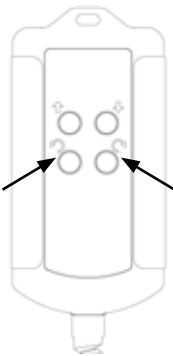
#### Lifting / Lowering



Press ↑ to lift.

Press ↓ to lower.

#### Rotation:



Press for rotation in the direction of the arrow.  
From the factory, the rotation is set to rotate continuously.

The forks can be rotated 360°

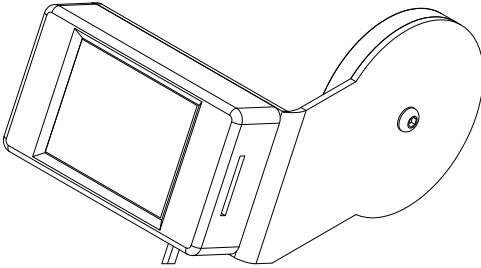
### 3.0 How to operate the Rotator

---

#### 3.4 User-Interface LUI-1 Rotator

User-Interface LUI-1 for:

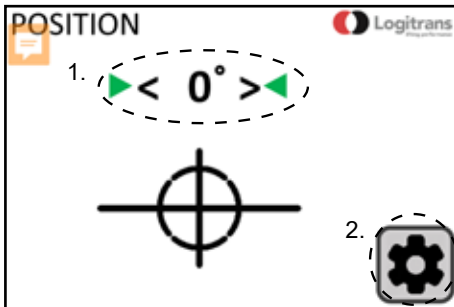
- Setting speed for rotation
- Setting up to three stop position/angles in both rotation directions



#### 3.5 Setting up User-Interface LUI-1 Rotator

##### 3.5.1 Home display

When starting the machine/deactivating the emergency stop in User-Interface LUI-1, home display is shown.



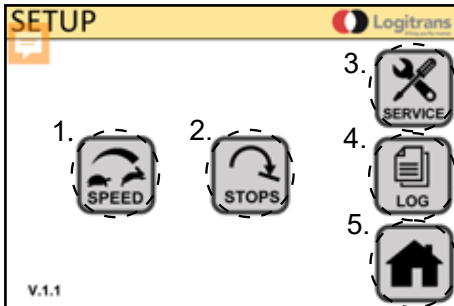
1. Fork position,
  - With green arrow - horizontal (0°)
  - With red arrow - programmed angle
2. Settings

### 3.0 How to operate the Rotator

---

#### 3.5.2 Display for Setup

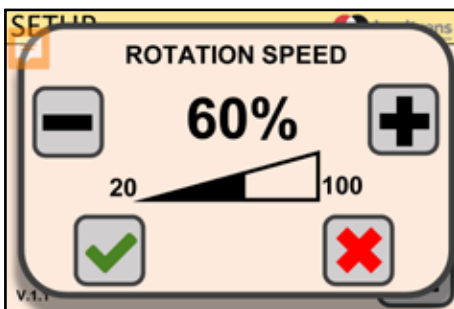
At home display, press Setup and the following is shown.



- 1.Speed (SPEED)
- 2.Angle stop (STOPS)
- 3.Service (SERVICE)
- 4.Output data (LOG)
- 5.Home display (HOME)

#### 3.5.3 Setting of rotation speed

At the Setup display, press “SPEED” and the following is shown.



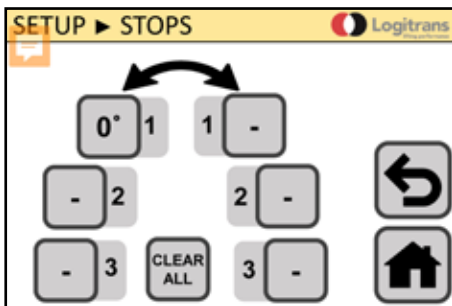
1. Use +/- to adjust the speed.
2. Use ✓/✗ to accept/cancel the choice and return to Setup display.

## 3.0 How to operate the Rotator

### 3.5.4 Setting of stop position

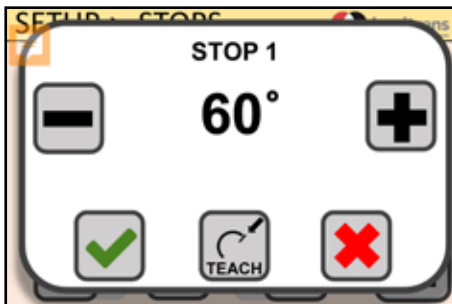
From the factory, the forks are set to rotate continuously. When the forks have rotated 360°, the machine stops rotating. If you want rotation to continue, it is necessary to release/press the rotation switch on the remote control again.

It is possible to set up to three stop positions/angles for rotation in both directions. If the machine is set with one or more stop positions/angles, the machine cannot rotate further than the last set stop position/angle.



At home display press Setup, and afterwards STOPS, and the following is shown.

At the Stops display, press on the first stop in the requested direction, and the following is shown.



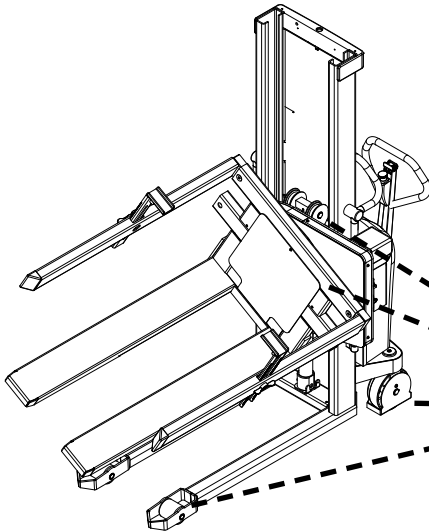
1. Use **+/-** to choose the size of the angle or use TEACH to choose actual position.
2. Use **✓/✗** to accept/cancel choice and return to Stops display.
3. At the Stops display choose the next stop position/angle and repeat the procedure.

### 3.5.5 Deleting stop positions

At the Stops display, press “CLEAR ALL” to delete all set stop positions/angles.



## 4.0 Optimum safety



### 4.1 Safety regulations

- Never walk under a raised load!
- Before lowering the forks, make certain that no foreign elements can hinder the free lowering of the forks
- The Rotator is designed for use on an even and level floor
- During transport the forks shall be raised as little as possible
- Transport with raised forks should be made over the shortest possible distances and at low speed
- Check that the chains lift equally. They shall be equally tight when the forks are loaded
- Chains and chain bolts must not be damaged. Chains that have become permanently stretched (max. 2 % of original length) must be scrapped.



## 4.0 Optimum safety

### 4.2 Avoid overloads

The maximum load must not be exceeded. **Remember**, that the Rotator is designed for evenly distributed load, - goods on pallets etc. If the forks are point-loaded on one side, there is a risk of bending.

**NOTE!** When driving with the truck, the forks should be placed in horizontal position.

Max. capacity of the Rotator/Multi-purpose carriage: 1000 kg / 700 Nm (see load diagram).

#### Load diagram

When the forks are tilted, the spatial position of the load changes. This means that the load capacity that can be tilted is reduced, the larger the distance is between load centre of the load and rotation centre.

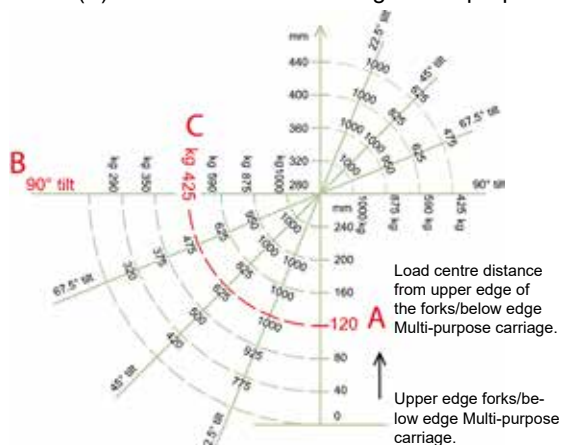
In order to use the load diagram, the following three facts have to be known:

- The distance from the upper edge of the forks/below edge of the Multi-purpose carriage to the load centre
- Requested tilt degree
- Weight of the load

*Example:*

- The load centre is placed 120 mm (A) over the forks/ below edge Multi-purpose carriage
- Tilt degree: 90° (B)
- Weight of the load: 400 kg

It appears from the load diagram that the maximum allowed load is 425 kg (C).



**NOTE!** If the load centre exceeds the allowed distance shown in the load diagram, there is a risk that the Rotator will turn over, when rotating.

## 4.0 Optimum safety

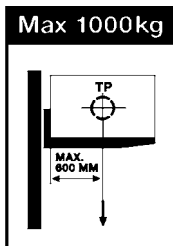
---

### 4.3 Avoid offset loads

The load must be evenly distributed. The maximum centre of gravity distance from the front of the fork mast (given on the truck) must not be exceeded. A greater distance reduces the level of safety and increases the risk of toppling.

Goods on pallets, etc. must be properly secured, so that they cannot fall off during transport, when the truck is lifted, or when the truck must remain lifted for a time.

#### Marking



The mast lifting capacity and the corresponding centre of gravity distance are given by the pictogram on the side of the mast.

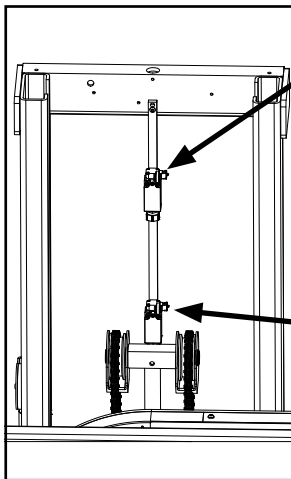
The lifting capacity of the mast is the same as the max. lifting capacity of the product.

Max. lifting capacity is set on the safety valve of the product.

### 4.4 Rotation range

#### Standard version

The load can be rotated, when the upper edge of the forks are lifted between 400 and 900 mm. Outside this range, the stacker functions as a standard stacker.



#### Top stop

Indicates that the forks are lifted 900 mm above the floor.

**NOTE!** Top stop is only placed on stackers with lifting heights, being higher than:  
920 mm SELFR  
890 mm SELFSR

#### Bottom stop

Indicates that the forks are lifted 400 mm above the floor.



## 4.0 Optimum safety

### Special version

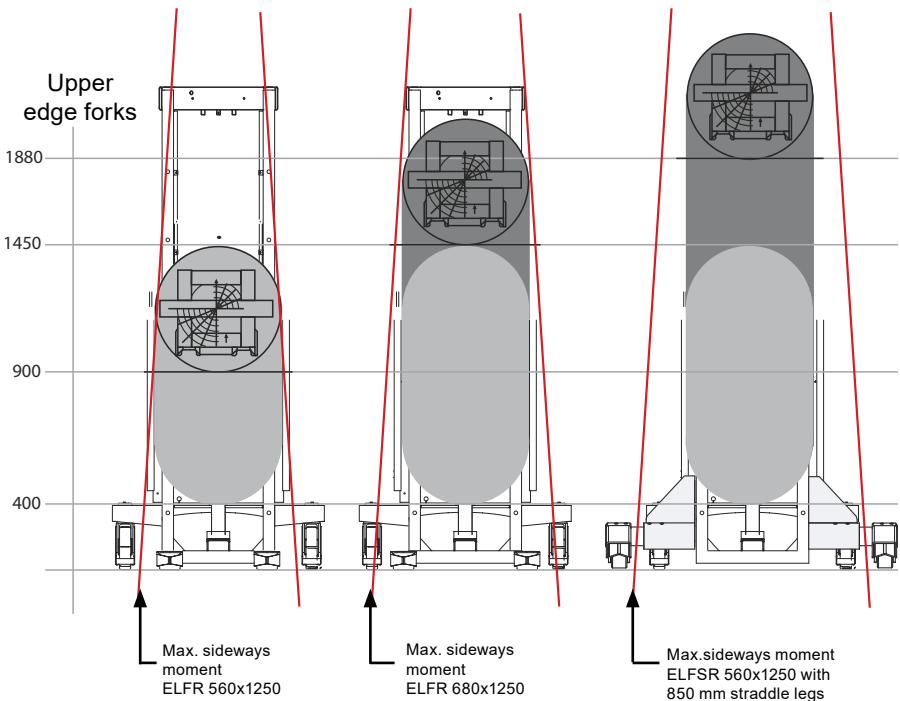
The top stop can be set to other intervals than between 400-900 mm.

The height of the top stop depends on the width of the Rotator, as a wide Rotator can manage a larger sideways movement.

**E.g.** On a Rotator with 850 mm straddle legs, the stop can be placed at a maximum fork height of 1880 mm.

Normal range for the maximum load 1000 kg /700Nm, fork height 400-900 mm.

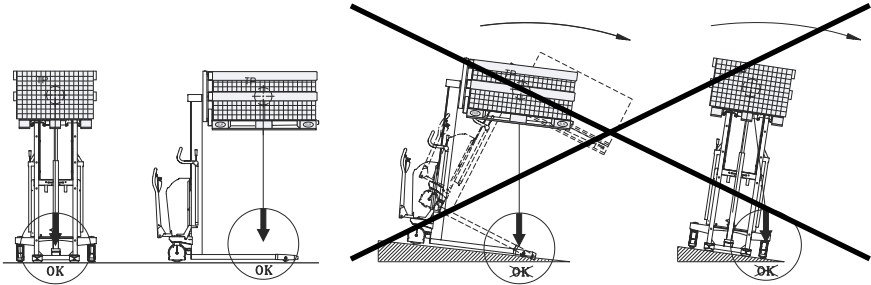
Range of maximum load 1000 kg /700Nm of Rotator in special version



## 4.0 Optimum safety

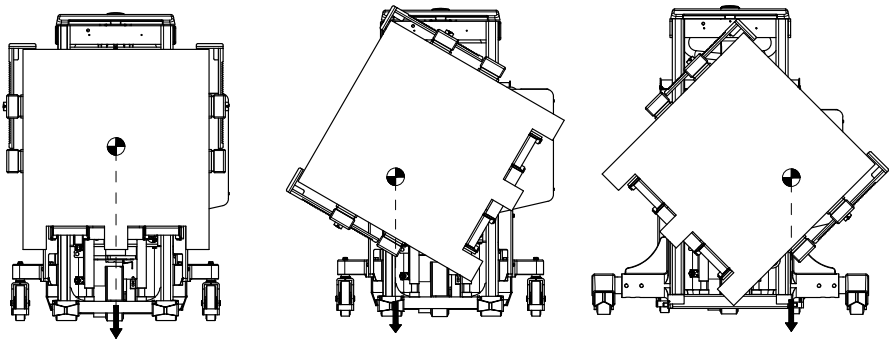
---

### 4.5 Driving loaded



The Rotator is designed for use on even and level floor. During transport the forks shall be raised as little as possible. Transport with raised forks should be made over the shortest possible distances and at low speed.

### 4.6 Rotation with load



The load centre is not allowed to be placed on the outside of the legs of the stacker, as this will cause a risk of turning over.

**NOTE!** Rotation is only allowed to take place, if the stacker is placed on an equal floor.

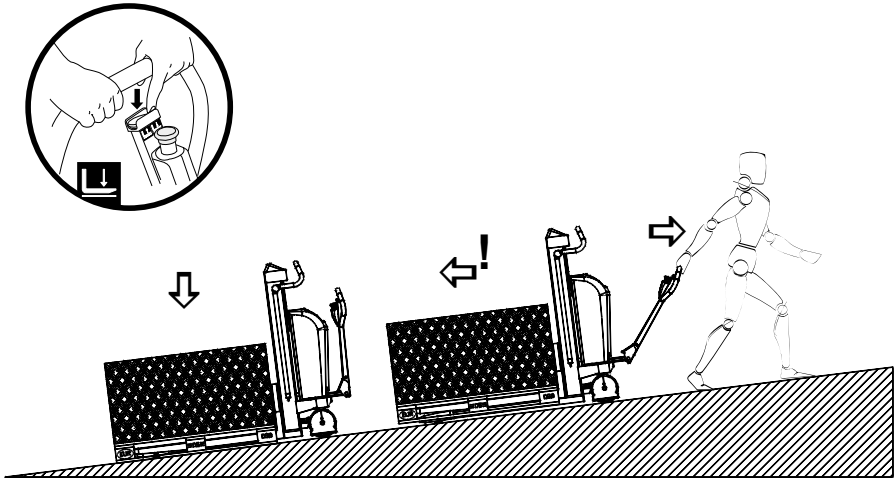
#### **BE CAREFUL!**

When rotating boxes, the operator needs a full overview of the whole working area, so that the rotation movement can be stopped before the box touches the floor, the items or persons in the working area.

## 4.0 Optimum safety

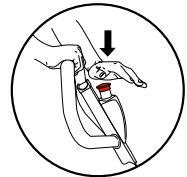
---

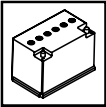
### 4.7 Emergency braking and Emergency stop



If it becomes necessary to use the load as a brake to prevent the Rotator from running away, activate the DOWN button quickly, until the load reaches the ground.

The product has an emergency stop. When activating the emergency stop, the main current supply is switched off. The movement of the forks stops immediately when activating the emergency stop.



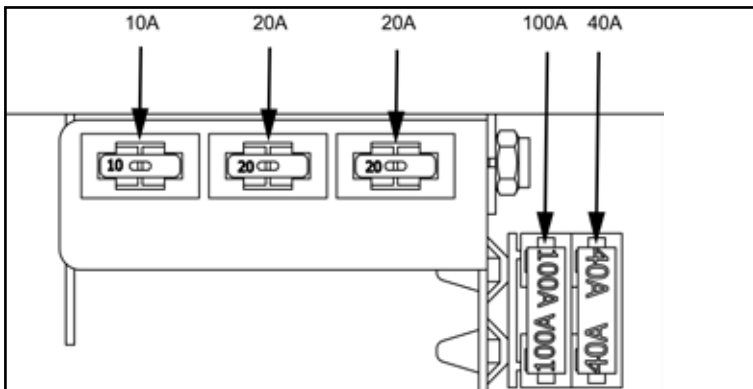


## 5.0 There must be a current supply...

### 5.1 Fuses - replacement

There are five fuses in the electrical circuit.

- 10 Amp fuse in the control current circuit
- 20 Amp fuse (plug for extra equipment on the instrument board)
- 20 Amp fuse for built-in charger
- 100 Amp fuse in the main supply from battery
- 40 Amp fuse for Rotator

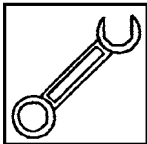


#### Replacement:

The old fuse is to be removed and replaced by a new one of the same size.

**Find out why the fuses blow!**

### 5.2 Wiring connections



**Many operational disturbances are caused by bad connections in the electrical circuit. Make sure that the connections are in order.**

Check connections regularly for damage at insulating caps or bad connections at plugs etc. Verdigris must be removed from cable plugs. Keep all screw/nut connections tight.



## 6.0 Long live the Rotator

Regular inspection and the replacement of worn or defective parts in good time will prolong the life of the Rotator. "Prevention is better than repair", therefore ensure:

- Check battery every 14 cycles
- Correct usage
- Regular cleaning
- Periodic safety and service inspection (see the back page)

Due to safety reasons, the below points have to be checked every 3 months:

- Loose screws and nuts have to be tightened up.
- Breaches, cracks or deformations are not allowed on the load-bearing parts.
- Wearing parts, such as brakes, wheels and bearings, are to be adjusted or changed continuously

### 6.1 Lubrication and hydraulic oil



Under normal operation conditions the Rotator requires no lubrication.

All ball bearings are sealed and lubricated for life, and moving parts have self-lubricating bearings or are treated with grease. The hydraulic system is filled with hydraulic oil of viscosity class ISO VG 15.

An additive is added to the oil. The concentrate reduces friction and wear and protects against corrosion. Pre-mixed hydraulic oil with

additive is available from the dealer. The oil is suitable for use in the temperature range -10 to +50° C. A thinner oil is recommended for temperatures lower than -10° C (if necessary, contact your dealer).

### 6.2 Oil change

#### Draining the oil:

1. Bring the unloaded forks down to the lowest position.
2. Most of the oil can be drained by loosening the hydraulic hose union and briefly activating the hydraulic pump with the switch.
3. The remaining oil can be drained from the oil tank by taking off the twelve clips on the pump and removing the tank.

#### Oil filling:

4. Fill oil through the filling hole on the tank.
5. Oil quantity:

ELFR 920 & ELFSR 890	approx. 1,5 liter
ELFR 1200 & ELFSR 1170	approx. 3 liter
ELFR 1400 & ELFSR 1370	approx. 3 liter
ELFR 1600 & ELFSR 1570	approx. 3 liter
ELFR 1910 & ELFSR 1880	approx. 4 liter

6. Refit the angular hose nipple and bleed the system (see. 6.3).

## 6.0 Long live the Rotator

---

### 6.3 The hydraulic pump and the gear motor

The hydraulic pump has a S3 “periodic intermittent duty” of 10%. This means that the pump in total is allowed to operate 1 minute for a period of 10 minutes. If the pump operates more than 10%, the motor will be damaged due to superheating.

#### Bleeding the hydraulic system

With a load of 50-100 kg, the forks must be raised and lowered to top and bottom position 2-3 times.

#### Gear motor of Rotator

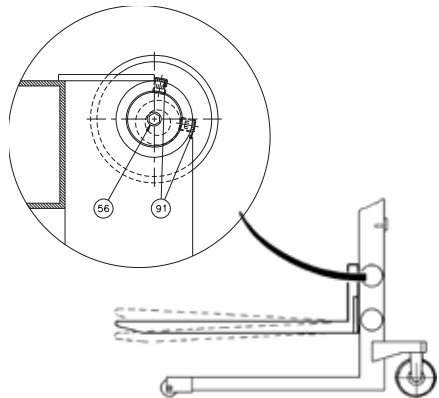
The gear motor has a “short time under constant load” of 10 minutes (S2=10 minutes). This means that the motor is allowed to operate with the maximum load for 10 minutes. Hereafter it has to be cooled down to normal temperature.

**NOTE!** The motor will be damaged by superheating, if it operates for a longer time or if it is not cooled down.

### 6.4 Fork adjustment

Two of the rollers on the fork bracket are mounted on eccentric pins, so that they can be adjusted. The adjustable rollers are at the top.

1. Loosen screw (pos. 91) (key width 5 mm).
2. Eccentric pins (pos. 56) (key width 8 mm) can now be turned to give the necessary fork adjustment.
3. Adjustment must be made on both sides to ensure uniform loading of the rollers.



## 6.0 Long live the Rotator

---

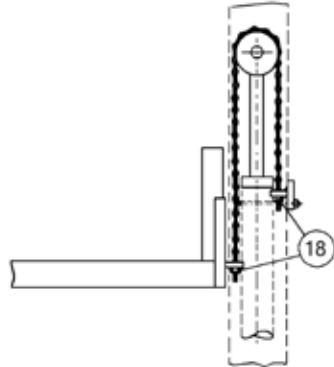
### 6.5 Adjustment of lifting chain

The chains shall be adjusted so that

- They lift equally
- They are equally tight
- The lifting movement has to stop in the cylinder, before the mast rolls touch the top stop.

After adjusting, please check:

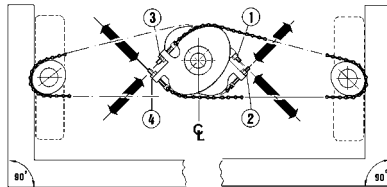
- a. Fork bracket: the forks have to be placed above the wheels
- b. Adjustable carriage: the forks are to be kept clear of the floor



The nuts (pos. 18) are to be adjusted (nut M12, key width 19 mm).

### 6.6 Adjustment of steering wheel chains

- Set the handle in its middle position.
- Adjust the nuts (1, 2, 3 and 4) and bring the wheels into parallel.

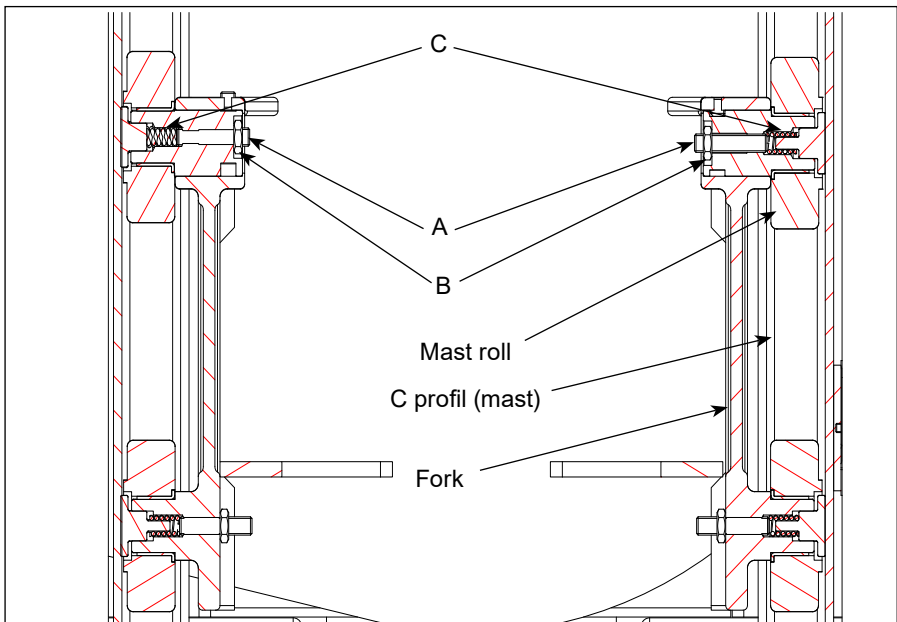


## 6.0 Long live the Rotator

---

### 6.7 Adjustment of side play

1. Screw (A) is loosened counter-clockwise, until resistance disappears.
2. Turn the screw clockwise, until resistance appears. The following 1.5 to 2.5 turns of the screw will be a tightening of the spring (C).
3. When a larger resistance appears, make 0.25 turn counter-clockwise, and the counter nut (B) will be tightened.
4. Pump the forks to its top position, and when lowering it has to slide to the bottom. If this is not the case, loosen screw A, make ca. 0.5 turn counter-clockwise and repeat point 4.





## 6.0 Long live the Rotator

### 6.8 Adjusting the Rotator

#### Tensioning the chains

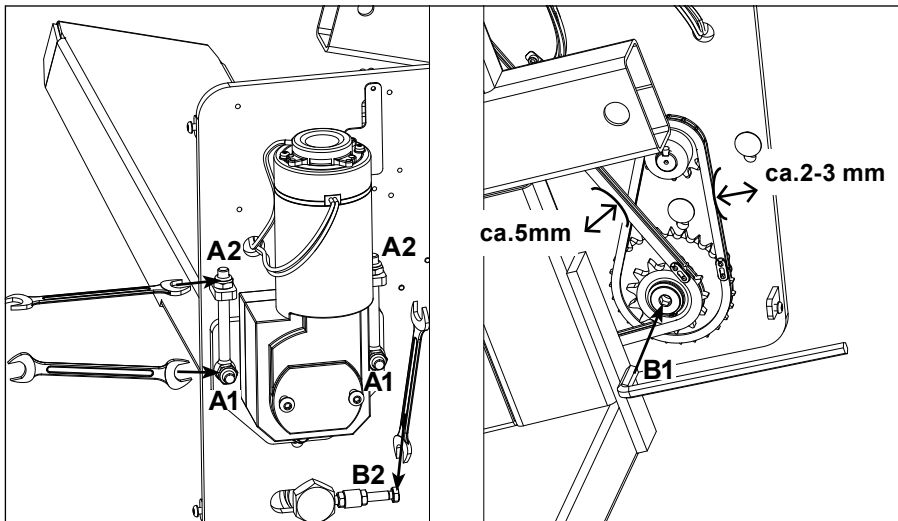
When the unloaded forks can be tilted manually approx. 5 cm, the chains should be tensioned.

This is done by:

1. Removing the cover from the tilt unit.
2. Loosening the gear motor (A1)
3. Loosening chain wheel (B1)
4. Turning the nut (B2), so that the fork chain is tensioned, until the slack is about 5 mm.
5. Tightening the chain wheel (B1)
6. Tightening the nuts for the gear motor (A2), so that the chain is tensioned, until the slack is about 2-3 mm. Tighten the nuts (A1) again.
7. Replace the cover.

#### NOTE!

Check that the fork chain is tightened correctly in the whole rotation area after adjusting the chains.



## 6.0 Long live the Rotator

---

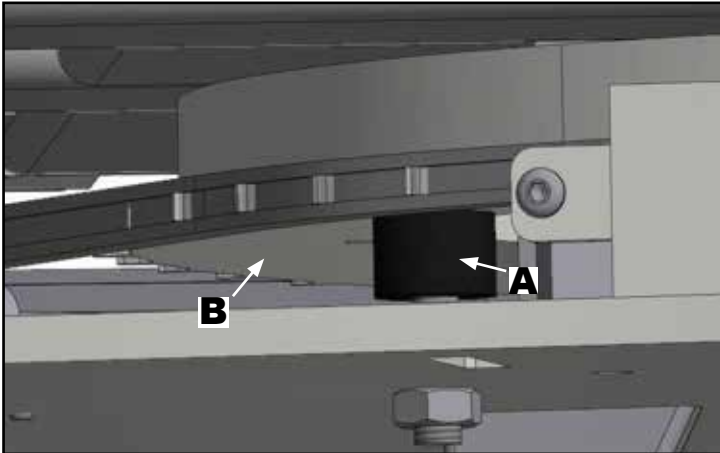
### Lubrication

#### Support block

To support the thrust ring, two support blocks are placed behind the ring. The blocks have to press on the ring, and the back of the ring has to be lubricated with grease, so that the blocks slide smoothly.

#### Chains

The chains of the Rotator have to be lubricated with grease twice a year.



## 6.0 Long live the Rotator

---

### 6.9 Claning



When cleaning the Rotator, do not direct the jet onto bearings and seals. Otherwise the grease will be washed out and the life of the equipment shortened.

#### **Cleaning of the plastic screen (polycarbonate)**

The screen is to be washed with slightly warm water added a neutral cleaning material, and afterwards washed with clean water.

Use a soft sponge, a woollen cloth or a wash leather.



**Never use sharp objects or solvent cleaners when cleaning.**



## 7.0 Fault location key

When the Rotator is used every day, adjustments and the replacement of worn parts might be necessary.

Adjustments and minor repair can easily be made on the spot. Major repairs should, however, be carried through by the dealer who has a well-trained staff and the necessary special tools.



**Before asking the dealer for assistance...  
...try the fault location key!**

### SYMPTOMS AND OBSERVATIONS

**A** Pump does not run when the UP button is pressed \_\_\_\_\_

**B** Truck does not lift when the UP button is pressed \_\_\_\_\_

**C** Truck does not lift to max. height \_\_\_\_\_

**D** Forks fall after being raised \_\_\_\_\_

**E** Forks do not sink when DOWN is pressed \_\_\_\_\_

**F** Forks cannot be lowered fully \_\_\_\_\_

**G** Truck is unable to lift the max. load \_\_\_\_\_

**H** Truck lifts slowly \_\_\_\_\_

**I** Forks do not lift horizontally \_\_\_\_\_

**J** Steering wheel does not drive evenly \_\_\_\_\_

**Cause**

**Mending**

	Oil deficiency	See point 6.1/6.2
	Battery discharged	See separate instruction
	Fuse blown 10 Amp or 100 Amp	See point 5.1
	Cables defective	See point 5.2
	Max. load exceeded	See point 4.2
	Air in hydraulic system	See point 6.3
	Pressure relief valve incorrectly adjusted	Contact the dealer
	Leakage in hydraulic system Visible oil leakage	Contact the dealer
	Fork bracket needs adjustment	See point 6.4/6.5/6.7/6.8
	Solenoid or check valve defective	Contact the dealer
	Defective valves in pump	Contact the dealer
	Steering wheel out of adjustment	See point 6.6
	Defective solenoid valve	Contact the dealer
<b>A</b>		
<b>B</b>		
<b>C</b>		
<b>D</b>		
<b>E</b>		
<b>F</b>		
<b>G</b>		
<b>H</b>		
<b>I</b>		
<b>J</b>		

**If the problem cannot be solved  
by using the fault location key...**

**...please contact  
your dealer!**



## **8.0 Good service after purchase**

### **8.1 Ordering spare parts**

The correct spare parts are obtainable from your dealer.

When ordering, please state:

- Serial number of the product
- Type and width/length of the product
- Spare part no. Please find spare part no. on [www.logitrans.com](http://www.logitrans.com)

### **8.2 Warranty/Compensation**

Spare parts delivered during the warranty period will be invoiced. A credit note will be sent immediately after we have received and tested the defective parts and found that the warranty conditions have been met.

### **8.3 Service and repair**

You should be able to make adjustments and perform minor repairs on the spot. However, major repairs should be left to the dealer who has well-trained personnel and the necessary special tools.

### **8.4 Warranty**

The warranty covers material and assembly defects which, subject to inspection by us or our representative, are deemed to be faults or deficiencies that prevent normal use of the parts concerned. Such affected parts shall be sent to your Logitrans dealer carriage paid within the warranty period in force at the time in question, together with a copy of the documentation for the service performed (B0284 - see the back page). The warranty does not cover normal wear and adjustments. The warranty period is based on singleshift working.

**The warranty shall no longer apply if:**

- the product has been used incorrectly,
- the product is used in environments for which it was not designed,
- the product has been overloaded,
- replacements of parts have been made incorrectly or original parts have not been used and consequential damages have arisen,
- if the product is changed or accessories, not being approved by Logitrans, are used.
- it can not be proved that a qualified technician has performed the service check according to the requirements stated in the instruction manual (see the back page).

### **8.5 Liability exemption**

The manufacturer accepts no responsibility for personal injury or material damage arising from deficiencies, defects or improper usage. The manufacturer accepts no responsibility for lost earnings, operating losses, lost time, lost profits or similar indirect losses incurred by the purchaser or a third party.



## **Periodic service and safety inspection**

Service check is required once each year.

Safety inspection should be performed by the dealer or other qualified persons at least once each year, unless local regulations state otherwise.

The safety inspection to be performed on the basis of form no. B0278 and proved on form no. B0284. Forms and instruction for the safety inspection are available at your dealer.

S 847

ELFR-L-EN  
20022020/2