



SELFRRRE

S996





Contents

1.0 Before the first lift...	4
2.0 Functions and identifications	5
3.0 How to operate Reel Rotator	6
3.1 Handling of reels	6
3.2 Use of the Reel Rotator	7
3.3 Handle functions	8
3.3.1 Multiflex-function	10
3.3.2 The safety switch	10
3.4 Remote control MR-1 / Lifting-Lowering-Rotation-Clamping	11
3.4.1 Remote control / Lift and lower	12
3.4.2 Remote control / Rotation	12
3.4.3 Remote control / Clamping-Releasing	13
3.5 Clamping of reels	14
3.6 User-Interface LUI-1 Reel Rotator	15
3.6.1 Home display	15
3.6.2 Clamp Pressure guard	16
3.6.3 Setup menu	18
3.6.4 Setting of rotation speed	18
3.6.5 Setting of stop position	19
3.6.6 Deleting stop positions	19
3.7 Battery Info display	20
3.7.1 BDI	20
3.7.2 Machine operating hours	20
3.7.3 Faults	21
3.7.4 State of operation LED's	21
4.0 Optimum safety	22
4.1 Safety regulations	22
4.2 Rotation range	23
4.3 Driving loaded	23
4.4 Rotation with load	24
4.5 Emergency stop	24
4.6 Personal safety	25
5.0 There must be a current supply...	26
5.1 Fuses - replacement	26
5.2 Wiring connections	26
6.0 Long live Reel Rotator	27
6.1 Lubrication and hydraulic oil	27
6.2 Oil change	28
6.3 The hydraulic pump and the gear motor	29
6.4 Reel carriage adjustment	29
6.5 Adjustment of lifting chain	30
6.6 Adjustment of side play	31
6.7 Adjusting the Reel Rotator	32
6.8 Cleaning	34
7.0 Fault codes/Fault location key	35
7.1 Fault codes - Battery info display	35
7.2 Fault location key	36
8.0 Good service after purchase	38
8.1 Ordering spare parts	38
8.2 Warranty/Compensation	38
8.3 Service and repair	38
8.4 Warranty	38
8.5 Liability exemption	38



1.0 Before the first lift...

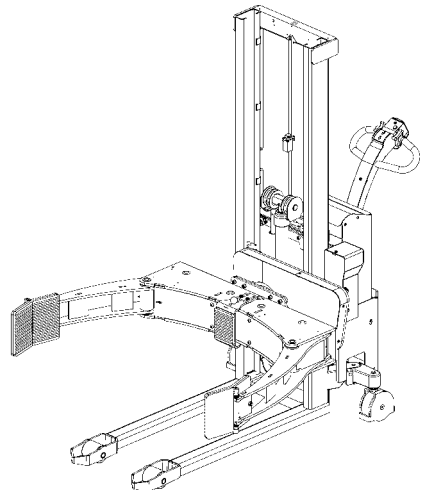
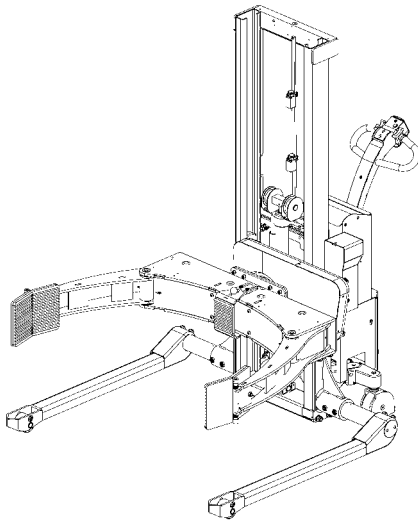
The **Reel Rotator** is manufactured in accordance with safety directives.

Among the subjects dealt with in this **Instruction Manual** are:



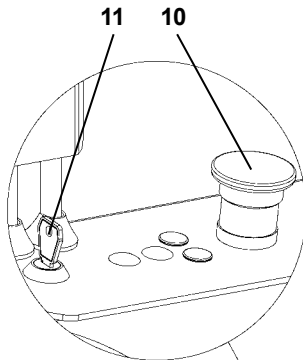
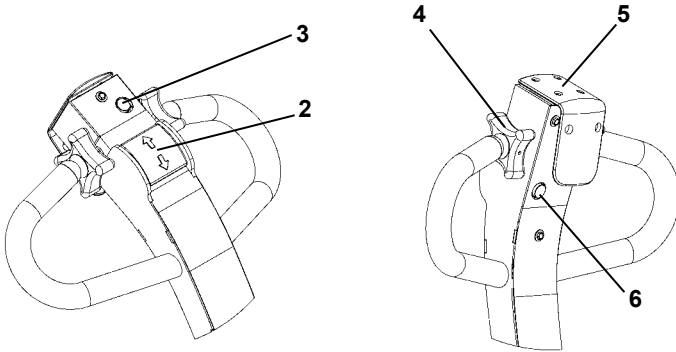
- **Proper application**
- **Physical limitations of the product**
- **Risks with improper use**

Therefore please read this Instruction Manual carefully!

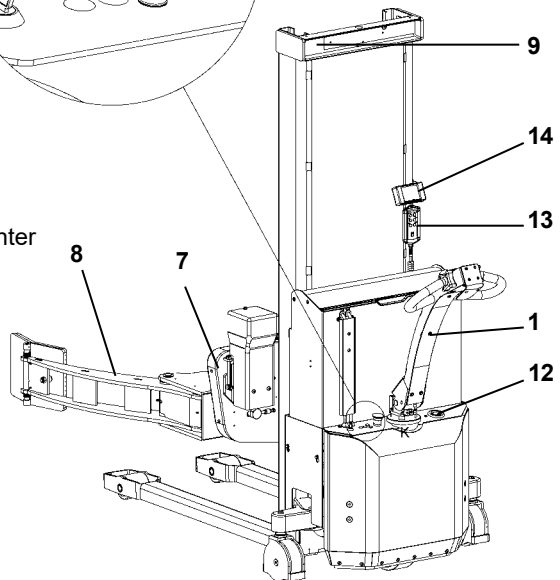




2.0 Functions and identifications



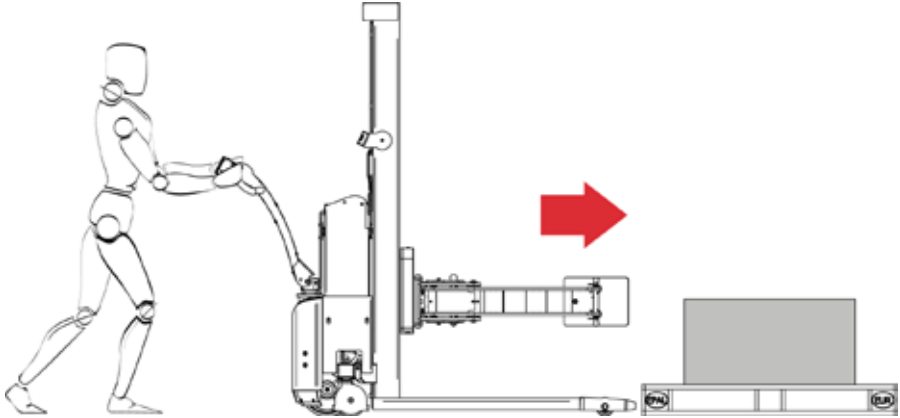
1. Handle
2. Lift/Lower
3. Horn
4. Forward/Reverse
5. Safety switch
6. Multiflex function
7. Reel Carriage
8. Gripping arm
9. Type plate, serial number
10. Emergency stop
11. Ignition key
12. Battery indicator/hour counter
13. Remote control
14. User-Interface





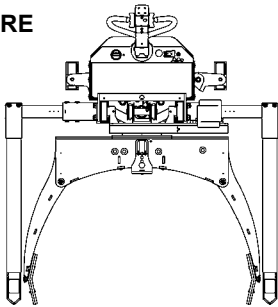
3.0 How to operate Reel Rotator

3.1 Handling of reels



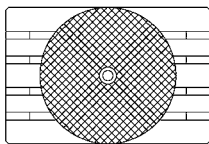
For proper operation, stand behind the handle!

SELSRRE

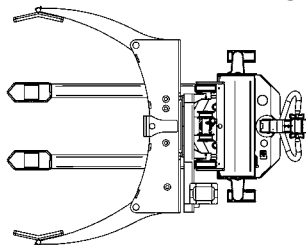


Handling of reels on closed pallets

- Use the Reel Rotator with straddle legs!



SELSFRE



3.0 How to operate Reel Rotator

3.2 Use of the Reel Rotator

Conditions for rotation: Center of the gripping arms is lifted at least:

SELFRR: 825 mm

SELSRRE: 750 mm

The load can be rotated 360° with one adjustable stop in every side.

Note: The rotation stops automatically, when the gripping arms are placed horizontally/in position 0°. To continue the rotation from 0°, the rotation switch has to be released and activated again in the requested rotation direction.

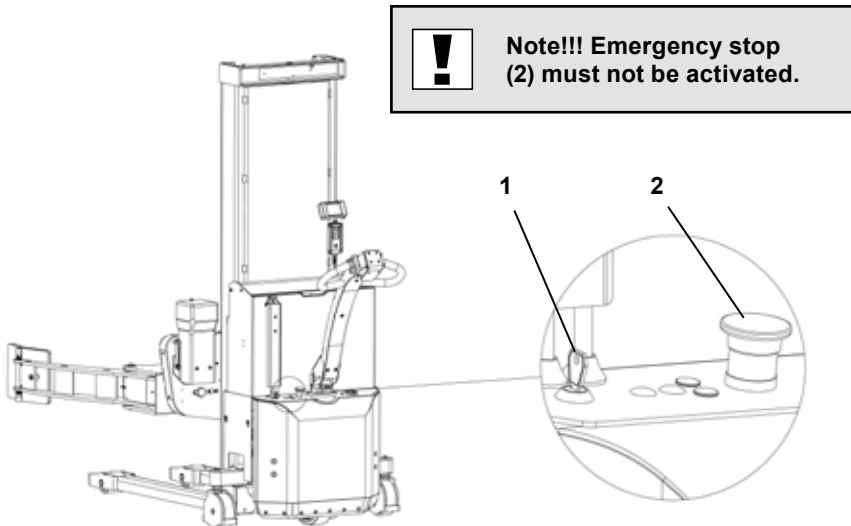
To lower the reel carriage fully, the reel carriage has to be placed in position 0°.

Soft acceleration / deceleration

The Reel Rotator has soft acceleration / deceleration with the following benefits:

- The reel rotation stops precisely.
- The gear is protected, because sudden start / stop are minimised.

Insert key (1) and turn clockwise to switch on control current ready for function activation.



3.0 How to operate Reel Rotator

3.3 Handle functions

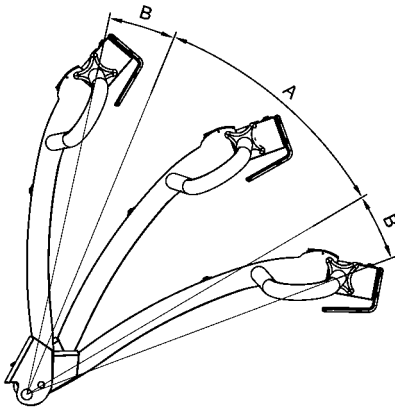
The control functions of the Reel Rotator are located in the handle. The functions are dependent on the positions of the handle!

Position A: Drive position

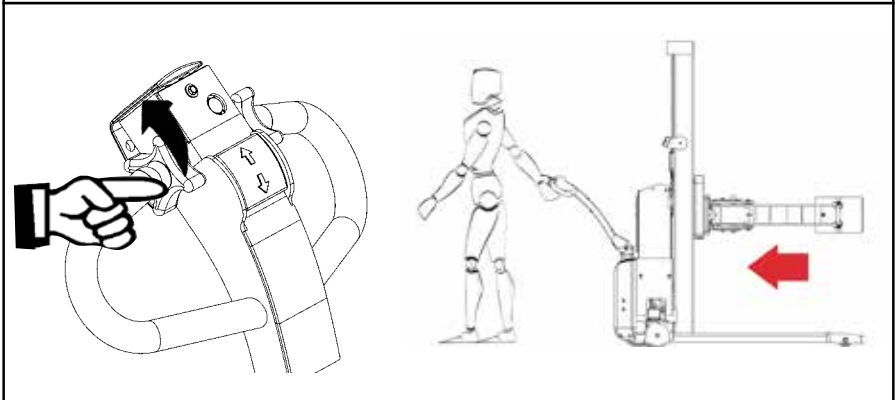
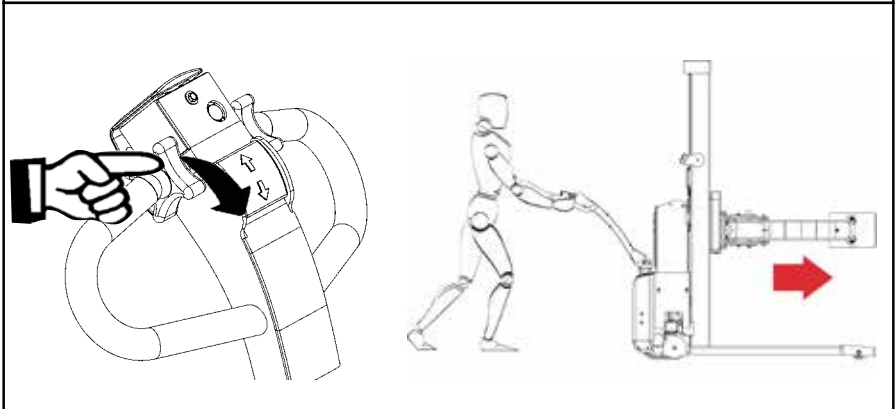
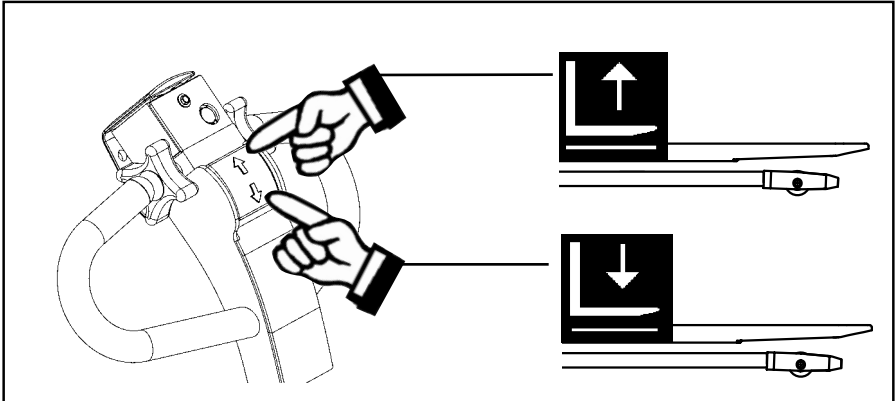
Drive current on
Brake deactivated

Position B: Stop/Brake/Emergency Stop

Drive current off
Brake activated

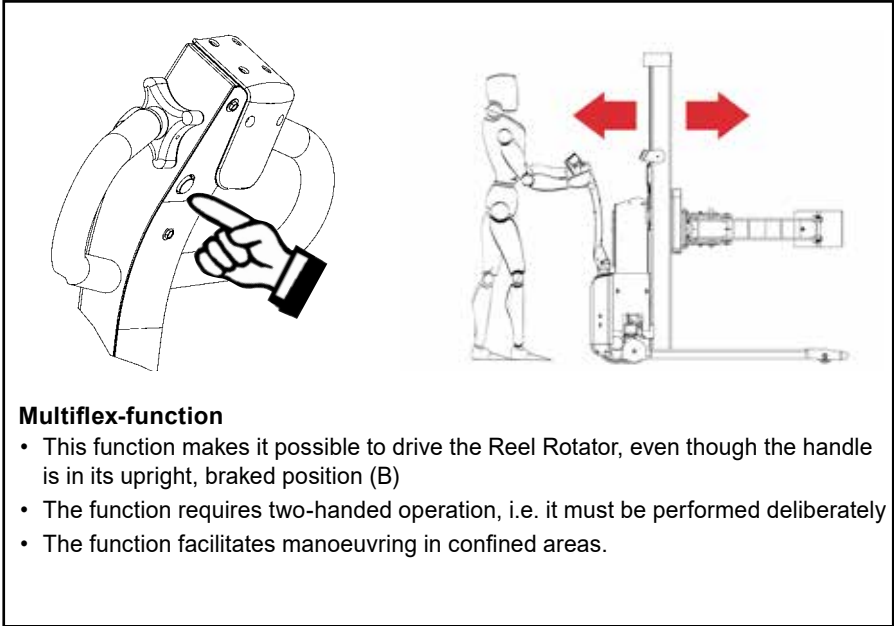


3.0 How to operate Reel Rotator



3.0 How to operate Reel Rotator

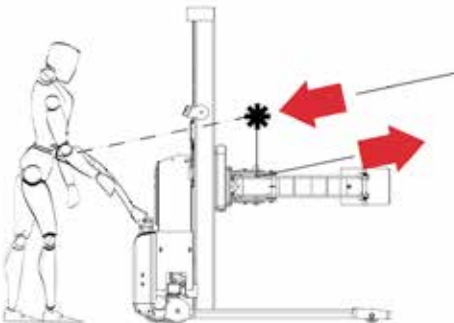
3.3.1 Multiflex-function



3.3.2 The safety switch

The safety switch on the end of the handle ensures that the operator cannot be trapped when the Reel Rotator is reversed.

When the safety switch is activated, the Reel Rotator will change direction and move forwards.

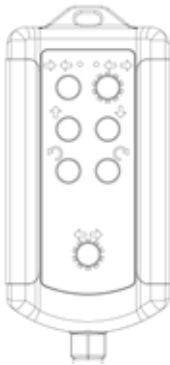


3.0 How to operate Reel Rotator

3.4 Remote control MR-1 / Lifting-Lowering-Rotation-Clamping

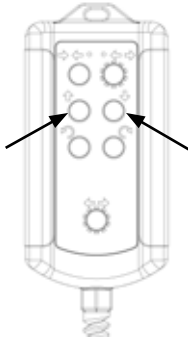
The remote control is used for:

- Lifting/lowering the reel carriage/reel
- Rotating the reel carriage/reel
- Clamping/fastening
- Opening/releasing



3.0 How to operate Reel Rotator

3.4.1 Remote control / Lift and lower



↑ Press to lift.

↓ Press to lower.

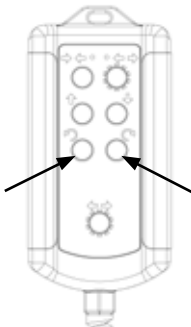


NOTE! The lowering height with remote control is set from factory - 400 mm to the middle of the gripping arms.



NOTE! Check that the load is placed in the load center and is properly locked before rotating.

3.4.2 Remote control / Rotation



Press to rotate in the direction of the arrow.
The rotation is set to rotate continuously from the factory.
The load can be rotated 360°.

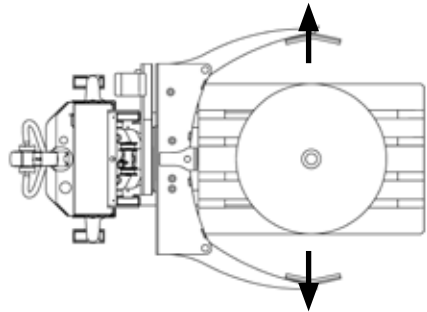
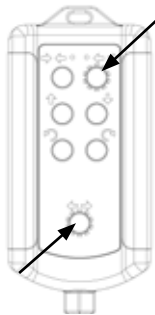
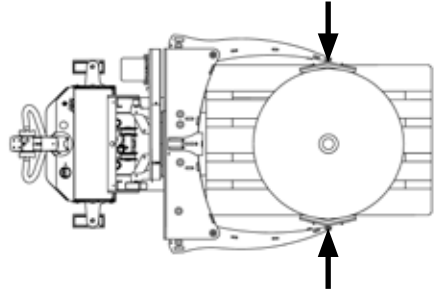
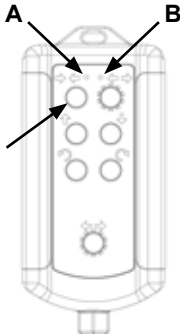
3.0 How to operate Reel Rotator

3.4.3 Remote control / Clamping-Releasing

Clamping

Press “Clamp” until the green lamp(A) is on.

When red lamp lightens (B), the clamping force is not sufficient.



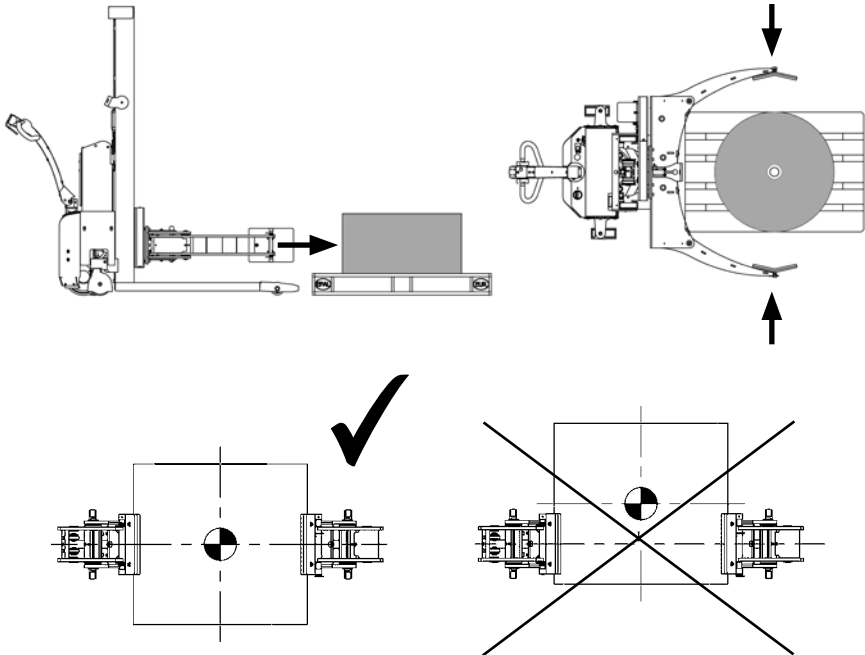
Releasing

Press both buttons at the same time to open the gripping arms.

Note: As a safety precaution, the gripping arms can only be opened, when the lifting system is without pressure.

3.0 How to operate Reel Rotator

3.5 Clamping of reels



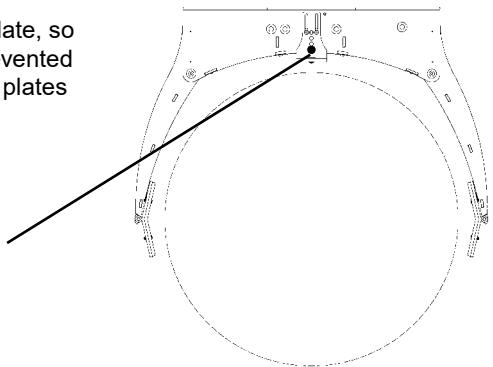
Extra support

For reels from $\varnothing 800\text{mm}$ to $\varnothing 1270\text{mm}$ it is possible to use three-points clamping.

By adjusting the shown supporting plate, so that it supports the reel, it can be prevented that the reel moves between the two plates that primarily fasten the reel.

The supporting plate can also be set as stop for a certain reel diameter.

Supporting plate

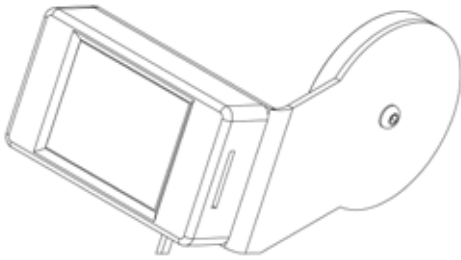


3.0 How to operate Reel Rotator

3.6 User-Interface LUI-1 Reel Rotator

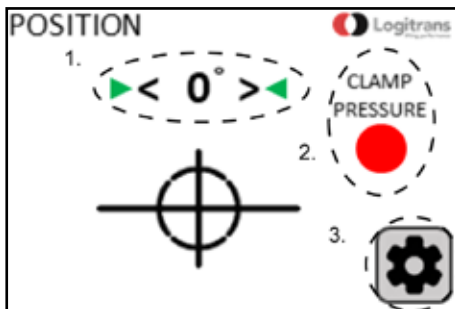
User-Interface LUI-1 for:

- Reading the angular position of the Gripping arms
- Setting speed for rotation
- Setting up to three stop position/angles in both rotation directions



3.6.1 Home display

When starting the machine/deactivating the emergency stop in User-Interface LUI-1, home display is shown.

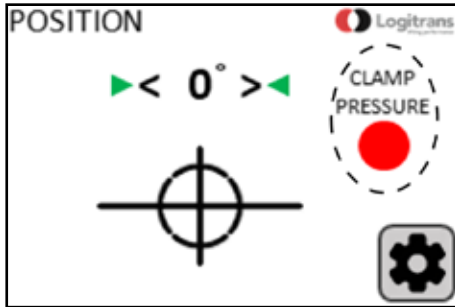


1. Position of the Gripping arms,
 - With green arrow - horizontal (0°)
 - With red arrow - programmed angle
2. Clamp pressure guard
 - Green - the clamping pressure **ok**
 - Red - the clamping pressure **low**
 - Flashing warning - The clamping pressure has dropped unintentionally
3. Settings

3.0 How to operate Reel Rotator

3.6.2 Clamp Pressure guard

The clamp pressure guard indicates whether the clamp is clamped fully to max pressure, or not.



Not clamped or pressure not sufficient. (RED)



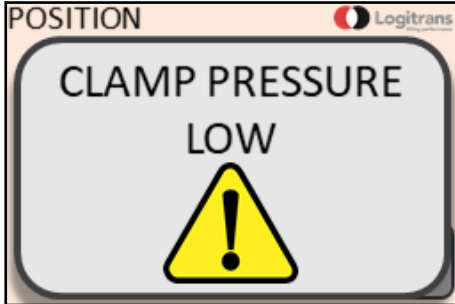
Full pressure. (GREEN)



Warning – the pressure has dropped unintentionally

3.0 How to operate Reel Rotator

In the event that the clamping pressure should drop while clamping a load/reel, the warning message will pop up along with an acoustic alarm.



By pressing the warning, the window can be closed and the acoustic alarm shuts off. The state of the pressure guard symbol is in Warning state.

This state is present until one of two actions have been taken:

1. The clamp pressure has been increased to full – by clamping again.
2. The load/reel has been placed or unloaded and clamp opened.



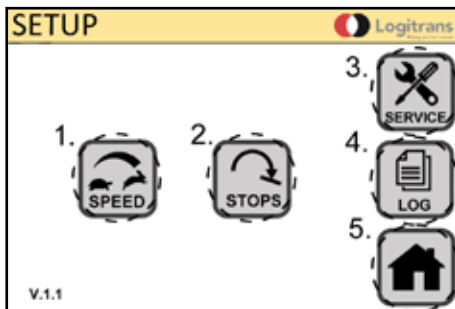
NOTE! If the clamp pressure drops, one of the two actions must be performed safely before further handling of the load/reel:

1. Check reel for deformation.
2. Check for oil leak - contact service partner.

3.0 How to operate Reel Rotator

3.6.3 Setup menu

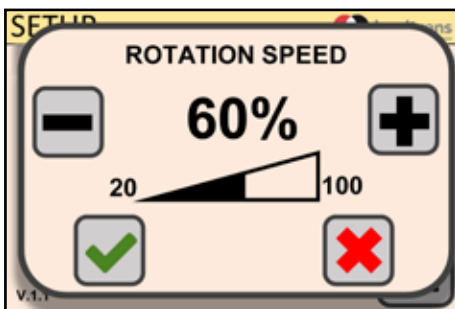
At home display, press Setup and the following is shown.



1. Rotation Speed adjustment (SPEED)
2. Angle stop (STOPS)
3. Service menu - only for service technician (SERVICE)
4. Usage data (LOG)
5. Return Home display (HOME)

3.6.4 Setting of rotation speed

At the Setup display, press "SPEED" and the following is shown.



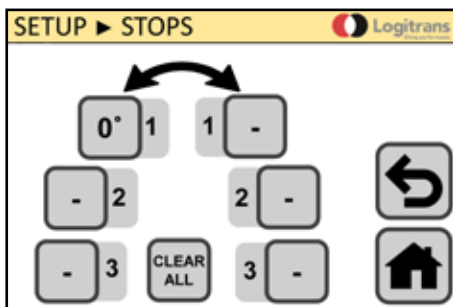
1. Use +/- to adjust the speed.
2. Use ✓/✗ to accept/cancel the choice and return to Setup display.

3.0 How to operate Reel Rotator

3.6.5 Setting of stop position

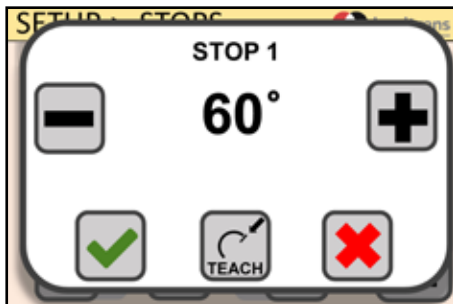
From the factory, the gripping arms are set to rotate continuously. When the gripping arms have rotated 360°, the machine stops rotating. If you want rotation to continue, it is necessary to release/press the rotation switch on the remote control again.

It is possible to set up to three stop positions/angles for rotation in both directions. If the machine is set with one or more stop positions/angles, the gripping arms cannot rotate further than the last set stop position/angle.



At Setup menu, press “STOPPS”, and the following is shown.

At the STOPPS menu, press on the first stop in the requested direction, and the following is shown.



1. Use $+$ / $-$ to choose the size of the angle or use “TEACH” to choose actual position.
2. Use \checkmark / \times to accept/cancel choice and return to Stops menu.
3. At the “STOPPS” menu choose the next stop position/angle and repeat the procedure.

3.6.6 Deleting stop positions

At the “STOPPS” menu, press “CLEAR ALL” to delete all set stop positions/angles.

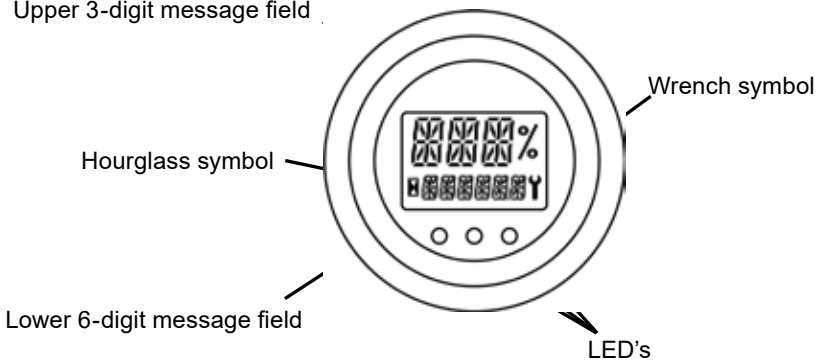
3.0 How to operate Reel Rotator

3.7 Battery Info display

The display can show the following information:

- The BDI or BOC – Battery state of charge
- Machine operating hours
- Fault codes/warnings
- State of operation LED's

Upper 3-digit message field



3.7.1 BDI

The remaining capacity of the battery or BDI is showed in the upper 3-digit field in percentage.

If the BDI is lower than 30% - a "LOBATT" warning will be showed in the lower 6-digit field.

3.7.2 Machine operating hours

3 different operating hours are being logged:

- "TOTAL/KEY ON" hours - the total hours with power on the truck.
- "TRACTION" hours - the hours the traction motor has been in operation.
- "PUMP" hours - the hours the hydraulic pump has been in operation.

Under normal operation the "TOTAL" hours are displayed in the lower 6-digit field. If the Forward/Reverse switch is activated shortly - the "TRAC" hours will be displayed. If the Lift/Lower switch is activated shortly - the "PUMP" hours will be displayed.

3.0 How to operate Reel Rotator

3.7.3 Faults

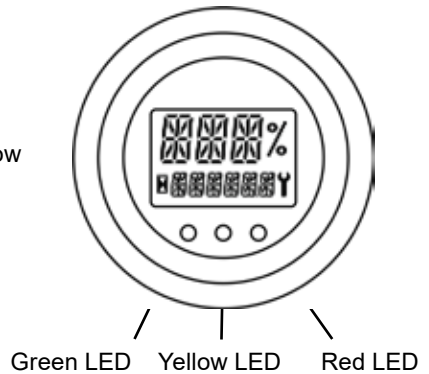
If a fault is present, the red LED, the message "FAULT" and the Wrench symbol will be flashing and the fault number is showed in the upper 3-digit field.

(See point 7.1 for Fault code description)

3.7.4 State of operation LED's

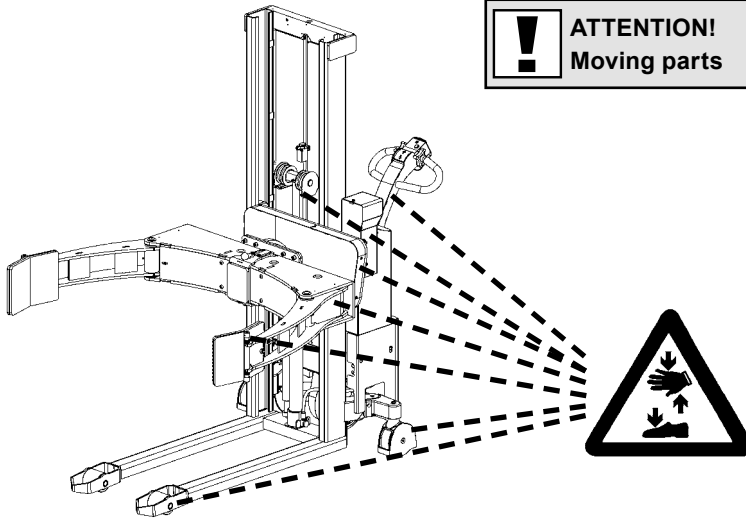
The LED's indicate the state of operation:

- Green - Normal operation
- Yellow - Warning state, low battery
- less than 30%
- Red - Warning state, low battery
- less than 15%
- Flashing Red - Fault/error state/battery too low





4.0 Optimum safety



4.1 Safety regulations

- Never walk under a raised load!
- Never stand between the gripping arms!
- Before lowering the reel carriage, make certain that no foreign elements can hinder the free lowering of the reel carriage
- The Reel Rotator is designed for use on an even and level floor
- During transport the reel carriage shall be raised as little as possible
- Transport with raised reel carriage should be made over the shortest possible distances and at low speed
- Do not exceed the permitted capacity of the product.
- Check that the chains lift equally. They shall be equally tight when the reel carriage is loaded
- Chains and chain bolts must not be damaged. Chains that have become permanently stretched (max. 2 % of original length) must be scrapped



4.0 Optimum safety

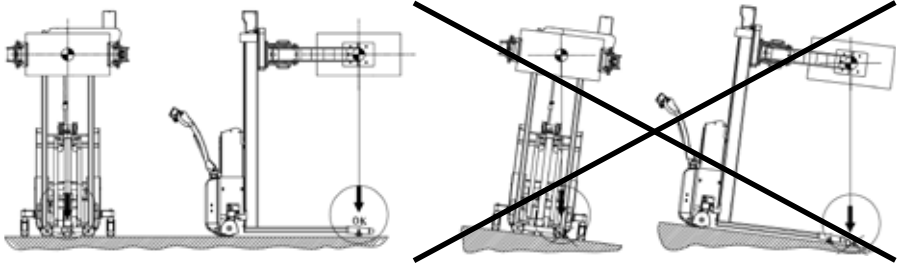
4.2 Rotation range

Standard version

The load can be rotated, when the turning point of the reel carriage is raised more than 750 mm (SELSRRE) and more than 825 mm (SELFRE). Below this range, it is only possible to raise/lower the reel carriage in position 0°.

4.3 Driving loaded

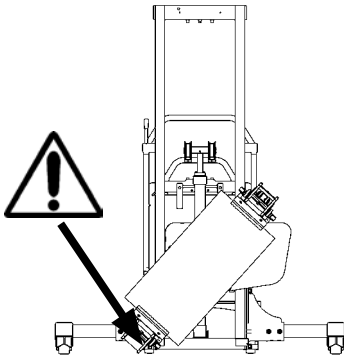
The load centre is never allowed to exceed the centre line of the wheels. The driving speed is reduced when lifting the carriage above 450 mm. During transport with load, the reel carriage shall be raised as little as possible.



4.0 Optimum safety

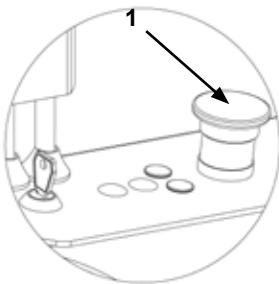
4.4 Rotation with load

NOTE! Rotation is only allowed to take place, if the Reel Rotater is placed on an equal floor. When rotating reels, the operator needs a full overview of the whole working area, so that the rotation movement can be stopped before the reel touches the floor, the items or persons in the working area.



4.5 Emergency stop

The product has an emergency stop (1). When activating the emergency stop, the main current supply is switched off.

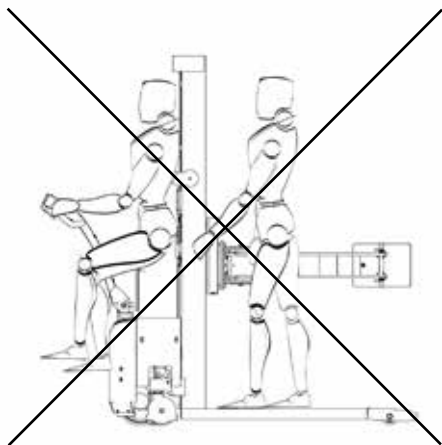


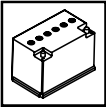
- The movement of the reel carriage stops immediately.
- Driving with the truck stops immediately.
- The emergency stop is deactivated by turning the switch to the right.

4.0 Optimum safety

4.6 Personal safety

Transporting or lifting persons by means of the stacker **is not allowed**.





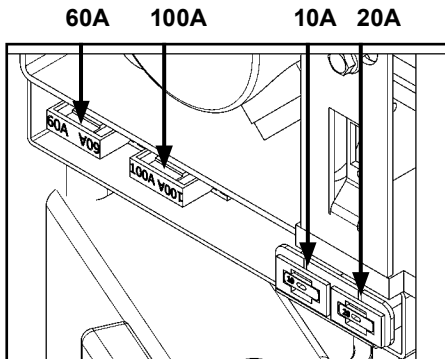
5.0 There must be a current supply...

5.1 Fuses - replacement

There are 4 fuses in the electrical circuit, located behind the plate with this pictogram.



- 60 Amp fuse for rotation
- 100 Amp fuse in the main supply from battery
- 10 Amp fuse in the control current circuit
- 20 Amp fuse for built-in charger



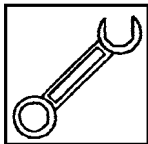
Replacement:

The old fuse is to be removed and replaced by a new one of the same size.

Find out why the fuses blow!

5.2 Wiring connections

Many operational disturbances are caused by bad connections in the electrical circuit. Make sure that the connections are in order.



Check connections regularly for damage at insulating caps or bad connections at plugs etc. Verdigris must be removed from cable plugs. Keep all screw/nut connections tight.



6.0 Long live Reel Rotator

Regular inspection and the replacement of worn or defective parts in good time will prolong the life of the Reel Rotator. "Prevention is better than repair", therefore ensure:

- That the battery is fully charged every time
- Correct usage
- Regular cleaning
- Periodic safety and service inspection

For safety reasons please check the below every 3 month:

- Tighten loose screw and nuts
- Check that there are no cracks, fractures and deformations in the bearing construction
- Wearing parts, such as brakes, wheels and bearings, are adjusted and exchanged continuously

6.1 Lubrication and hydraulic oil



Under normal operation conditions the Reel Rotator requires no lubrication. All ball bearings are sealed and lubricated for life, and moving parts have self-lubricating bearings or are treated with grease. The hydraulic system is filled with hydraulic oil of viscosity class ISO VG 15. An additive is added to the oil. The concentrate reduces friction and wear and protects against corrosion.

Pre-mixed hydraulic oil with additive is available from the dealer. The oil is suitable for use in the temperature range -10 to +50° C. A thinner oil is recommended for temperatures lower than -10° C (if necessary, contact your dealer).

6.0 Long live Reel Rotator

6.2 Oil change

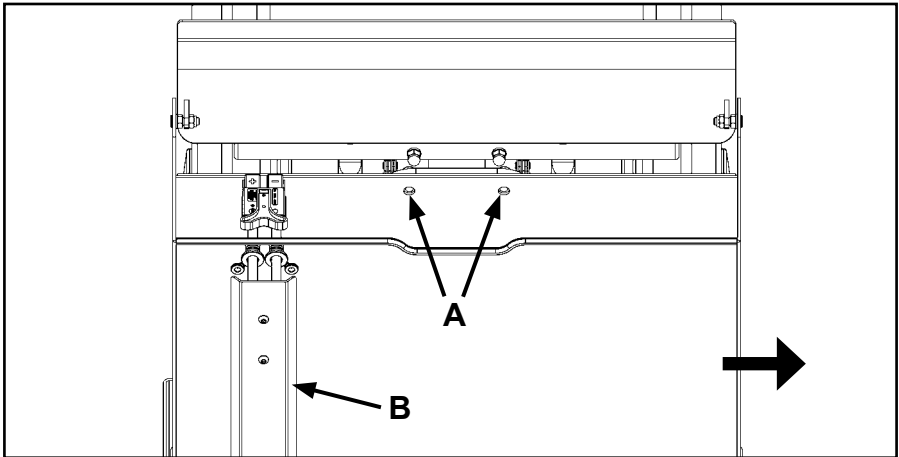
Draining the oil:

1. Bring the unloaded reel carriage down to the lowest position (with fully open gripping arms).
2. Most of the oil can be drained by loosening the hydraulic hose union in the bottom of the cylinder. Activate the hydraulic pump by pressure on the switch. The oil will run out.
3. Take off the side plates.
4. Take off the cables of the battery. Remove from the battery box: cables, two mounting bolts (A) and cable holder (B) and push the battery box to the right.
5. The remaining oil is emptied from the oil tank by sucking up the oil.
6. Place the hydraulic hose again.
7. Oil is filled in by removing the oil filler cap from the tank.
8. Oil quantity:

SELFRRRE & SELFSRRRE 1750

app. 3,5 liter

9. Place the oil filler cap again and bleed the system (see 6.3).



6.0 Long live Reel Rotator

6.3 The hydraulic pump and the gear motor

The hydraulic pump has a S3 “periodic intermittent duty” of 10%. This means that the pump in total is allowed to operate 1 minute for a period of 10 minutes.

Note! If the pump operates more than 10%, the motor will be damaged due to superheating.

Bleeding the hydraulic system

The reel carriage (without load) is raised and lowered to top and bottom position 2-3 times. Furthermore, the gripping arms are opened and closed 2-3 times.

Gear motor of the Reel Rotator

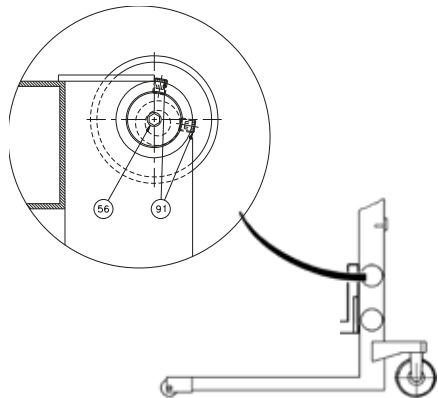
The gear motor has a “short time under constant load” of 10 minutes (S2= 10 minutes). This means that the motor is allowed to operate with the maximum load for 10 minutes. Hereafter it has to be cooled down to normal temperature.

Note! The motor will be damaged by superheating, if it operates for a longer time or if it is not cooled down.

6.4 Reel carriage adjustment

Two of the rollers on the reel carriage are mounted on eccentric pins, so that they can be adjusted. The adjustable rollers are at the top.

1. Loosen screw (pos. 91) (key width 5 mm).
2. Eccentric pins (pos. 56) (key width 8 mm) can now be turned to give the necessary reel carriage adjustment.
3. Adjustment must be made on both sides to ensure uniform loading of the rollers.



6.0 Long live Reel Rotator

6.5 Adjustment of lifting chain

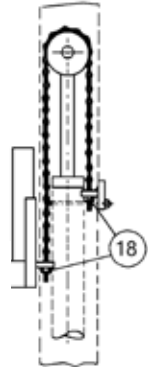
The chains shall be adjusted so that:

- They lift equally
- They are equally tight
- The lifting movement has to stop in the cylinder, before the mast rolls touch the top stop.

After having adjusted the chains:

- Check that the reel carriage is placed horizontally.

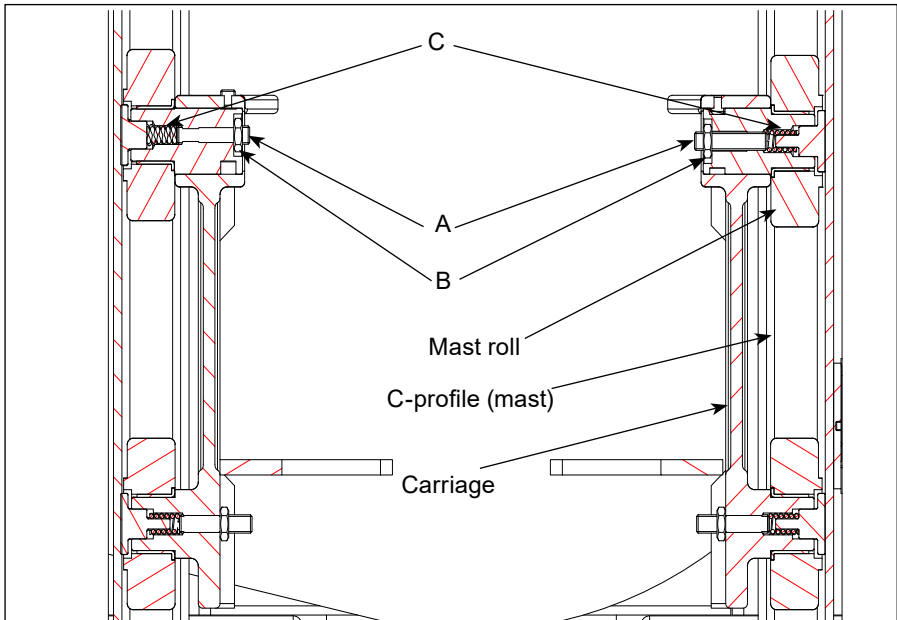
The nuts (pos. 18) are to be adjusted (nut M12, key width 19 mm).



6.0 Long live Reel Rotator

6.6 Adjustment of side play

1. Screw (A) is loosened counter-clockwise, until resistance disappears.
2. Turn the screw clockwise, until resistance appears. The following 1.5 to 2.5 turns of the screw will be a tightening of the spring (C).
3. When a larger resistance appears, make 0.25 turn counter-clockwise, and the counter nut (B) will be tightened.
4. Lift the carriage to the top position, and when lowering it has to slide to the bottom. If this is not the case, loosen screw A, make c. 0.5 turn counter-clockwise and repeat point 4.



6.0 Long live Reel Rotator

6.7 Adjusting the Reel Rotator

Tensioning the chains

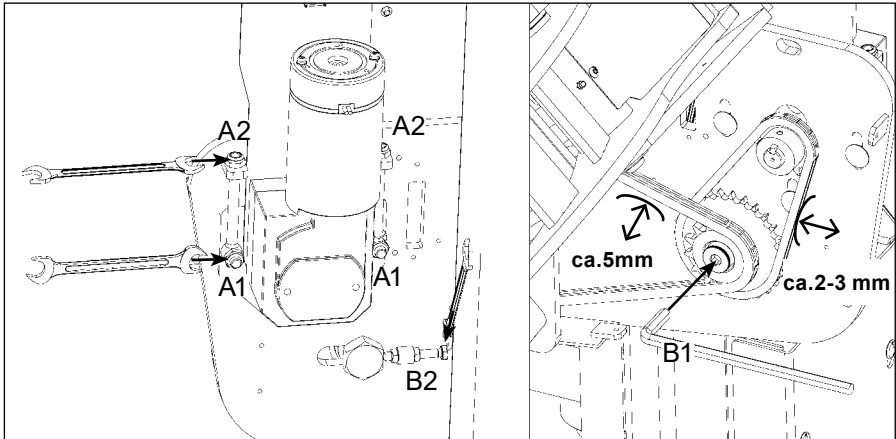
When the unloaded reel carriage can be tilted manually approx. 2 cm, measured at the rear carriage, the chains should be tensioned.

This is done by:

1. Removing the cover from the reel carriage.
2. Loosening the gear motor (A1)
3. Loosening chain wheel (B1)
4. Turning the nut (B2), so that the large chain is tensioned, until the slack is about 5 mm.
5. Tightening the chain wheel (B1)
6. Tightening the nuts for the gear motor (A2), so that the chain is tensioned, until the slack is about 2-3 mm. Tighten the nuts (A1) again.
7. Replace the cover.

NOTE!

Check the large chain is tightened correctly in the whole rotation area after adjusting the chains.



6.0 Long live Reel Rotator

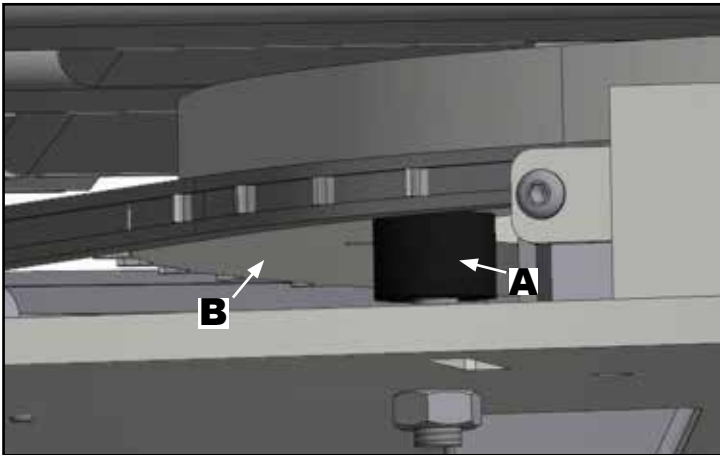
Lubrication

Support bolts

To support the thrust ring, two support bolts (A) are placed behind the ring. The bolts must only just touch the ring, and the back of the ring has to be lubricated with grease, so that the bolts slide smoothly.

Chains

The chains of the Reel Rotator have to be lubricated at the yearly service check.



6.0 Long live Reel Rotator

6.8 Cleaning



When cleaning the Reel Rotator, do not direct the jet onto bearings and seals. Otherwise the grease will be washed out and the life of the equipment shortened. Avoid spraying directly with liquids on the handle and other electrical components.

Cleaning of the plastic screen (polycarbonate)

The screen is to be washed with slightly warm water added a neutral cleaning material, and afterwards washed with clean water.

Use a soft sponge, a woollen cloth or a wash leather.



Never use sharp objects or solvent cleaners when cleaning.



7.0 Fault codes/Fault location key

7.1 Fault codes - Battery info display

Code	Description	Solution
17 23	Battery voltage too low Power supply is missing	Charge battery Check fuses
16 22	Controller overheated	Contact the dealer
39	Error main relais	Contact the dealer

For other error codes, contact your dealer.

7.0 Fault codes/Fault location key

7.2 Fault location key

When the Reel Rotator is used every day, adjustments and the replacement of worn parts might be necessary.

Adjustments and minor repair can easily be made on the spot. Major repairs should, however, be carried through by the dealer who has a well-trained staff and the necessary special tools.



**Before asking the dealer for assistance...
...try the fault location key!**

SYMPTOMS AND OBSERVATIONS

A Pump does not run when the UP button is pressed_____

B Reel Rotator does not lift when the UP button is pressed_____

C Reel Rotator does not lift to max. height_____

D The reel carriage lowers after being raised_____

E The reel carriage does not lower when DOWN button is pressed_____

F The reel carriage cannot be lowered fully_____

G Reel Rotator is unable to lift the max. load_____

H Reel Rotator lifts slowly_____

I The reel carriage does not lift horizontally_____

Cause

Mending

	Oil deficiency	See point 6.1/6.2
	Battery discharged	See separate instruction
	Fuse blown 10 Amp or 100 Amp	See point 5.1
	Cables defective	See point 5.2
	Max. load exceeded	See point 4.1
	Air in hydraulic system	See point 6.3
	Pressure relief valve incorrectly adjusted	Contact the dealer
	Leakage in hydraulic system Visible oil leakage	Contact the dealer
	Reel carriage needs adjustment	See point 6.4/6.5/6.6/6.7
	Solenoid or check valve defective	Contact the dealer
	Defective valves in pump	Contact the dealer
	Defective solenoid valve	Contact the dealer
A	● ● ●	
B	● ● ● ● ● ●	
C	●	
D		● ●
E	● ● ●	● ● ●
F		●
G		●
H	●	●
I		●

If the problem cannot be solved by using the fault location key...

...please contact your dealer!



8.0 Good service after purchase

8.1 Ordering spare parts

The correct spare parts are obtainable from your dealer.

When ordering, please state:

- Serial number of the product
- Type and width/length of the product
- Spare part no. Please find spare part no. on **www.logitrans.com**

8.2 Warranty/Compensation

Spare parts delivered during the warranty period will be invoiced. A credit note will be sent immediately after we have received and tested the defective parts and found that the warranty conditions have been met.

8.3 Service and repair

You should be able to make adjustments and perform minor repairs on the spot. However, major repairs should be left to the dealer who has well-trained personnel and the necessary special tools.

8.4 Warranty

The warranty covers material and assembly defects which, subject to inspection by us or our representative, are deemed to be faults or deficiencies that prevent normal use of the parts concerned. Such affected parts shall be sent to your Logitrans dealer carriage paid within the warranty period in force at the time in question, together with a copy of the documentation for the service performed (B0284 - see the back page). The warranty does not cover normal wear and adjustments. The warranty period is based on singleshift working.

The warranty shall no longer apply if

- the product has been used incorrectly,
- the product is used in environments for which it was not designed,
- the product has been overloaded,
- replacements of parts have been made incorrectly or original parts have not been used and consequential damages have arisen,
- the product is changed or accessories, not being approved by Logitrans, are used.
- it can not be proved that a qualified technician has performed the service check according to the requirements stated in the instruction manual (see the back page).

8.5 Liability exemption

The manufacturer accepts no responsibility for personal injury or material damage arising from deficiencies, defects or improper usage. The manufacturer accepts no responsibility for lost earnings, operating losses, lost time, lost profits or similar indirect losses incurred by the purchaser or a third party.

Periodic service and safety inspection

Service inspection is required once each year, or at least for every 500 hours of operation.

Safety inspection should be performed by the dealer or other qualified persons at least once each year, unless local regulations state otherwise.

The inspections are to be performed on the basis of form no. B0342, and proved on form no. B0284. Forms and instructions for the inspection are available at your dealer.

S 996

SELFRR-EN

26102021/3