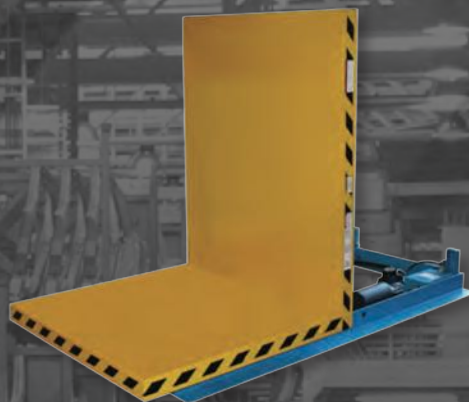


For More Information: 866-333-0728

# LIFT PRODUCTS INC.

INNOVATIONS IN ERGONOMICS



LIFT PRODUCTS, INC.

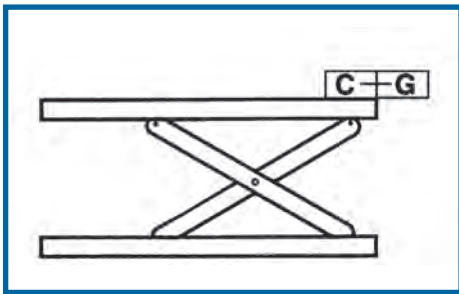


**IMPORTANT!**

## LIFT TABLE INFORMATION

### Max-Lift Pit or In-Floor Applications:

Tapered toe guards are required for any in-floor or pit applications. (For illustrations, refer to Options for Max-Lift tables on page 8). Tapered toe guards are also required for applications where there is a shear possibility such as a raised floor deck. The table top must be a minimum of 9" wider and longer than the standard top size. An electric perimeter safety bar may also be used for pit or in-floor applications. The top must be 4" wider and longer than the standard top to accommodate this feature.

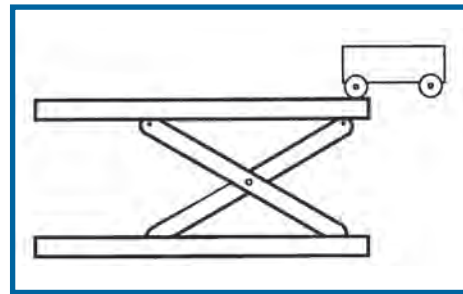


**3,000 lb. Edge Load**

### Max-Lift Capacities:

Max-Lift table capacity is the static gross total weight that the table is to lift. This is based upon an evenly distributed load. The end or edge load capacity is the amount of load that can be put over the edge in the raised position. Oversize platform edge or side load capacity must be reduced by 2% for each inch of width or length over standard platform size. Rolling load (axle load) is 67% of edge load capacity.

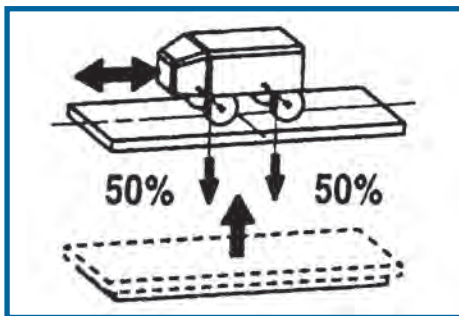
EXAMPLE: If edge load is 3,000 lbs., the rolling axle load is 2,010 lbs. (See illustrations.)



**2,010 lb. Rolling Axle Load**

### Guardian Series Pit or In-Floor Applications:

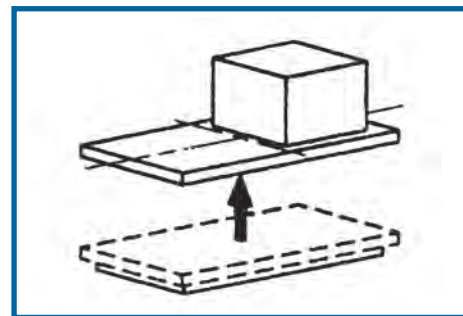
The Guardian Series has as standard a perimeter safety bar and can be used in above-floor or in-floor pit applications in their standard configurations. Note: Contact the factory for capacity and application requirements.



**Rolling load\* (50% per axle) along the longitudinal axis of the table.**

### Guardian Series Capacities:

Guardian Series lift table capacity is based upon evenly distributed loads. The table capacity is reduced by 50% for loads that are offset. The rolling loads also reduce capacity by 50%. (See illustrations.)



**Capacity with static load distributed on 50% platform.**

# MAX-LIFT Scissor Lift Tables

The MAX-LIFT is the best value in lift tables with unparalleled features! It reduces awkward bending and lifting, since the workload is always at the correct level. The possibility of back injuries is reduced and productivity is increased

The Max-Lift table line offers the following standard features:

- Trapped top and bottom scissor arms
- Built-in safety bars
- Grease fittings on pivot points and cam rollers
- Magnetic backed control box
- High quality fit and finish



**Captured 'Lift-Lok' secures top and base leg rollers**



**Magnetic Backed Hand Control-Standard**



**Zerk Fittings on Camrollers and Pivot Points**



**Optional Foot Control**

**High Quality Camrollers, Pivot Pins and Bearings**

**Integral, retractable maintenance safety bars**

**All welded construction meets AWS standard service**

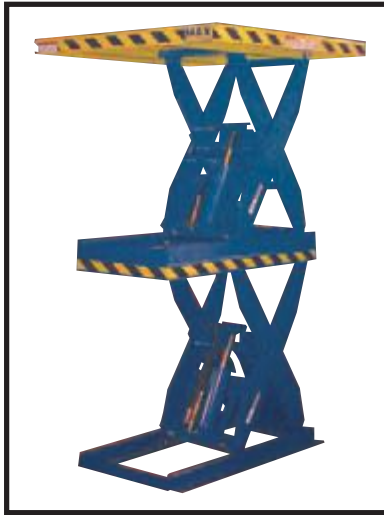
**Tables conform to or exceed ANSI MH 29.1-1994/2008**



**Motor & Controls are easily accessible**

# LIFT PRODUCTS INC.

INNOVATIONS IN ERGONOMICS



Double High

## Double Max-Lift

The Double High Max-Lift is available with 72" of vertical travel for those high lift requirements. 96" or 120" travel is also available for those special applications. Contact factory for more information.

## Max-Lift With Rotating Top

All Max-Lift Tables are available with square, rectangular, or round rotating tops. A variety of rotating top options can be selected for your application.



Double Long

Additional models page 8 & 9

### MAX-LIFT Scissor Lift Table - Standard

VERTICAL TRAVEL	MODEL	CAPACITY (POUNDS)	EDGE LOADS		PLATFORM SIZES		BASE FRAME (INCHES)	HEIGHT		UP SPEED (SECONDS)	MOTOR H/P	CYLINDER (QUANTITY)
			STATIC	ROLLING	STANDARD	MAXIMUM		LOWERED	RAISED			
24"	LPT-020-24	2000	2000	1500	24 x 36	48 x 60	24 x 36	7	31	7	1 1/2	1
	LPT-025-24	2500	2500	2000	24 x 36	48 x 60	24 x 36	7	31	8	1 1/2	1
	LPT-030-24	3000	3000	2000	24 x 36	48 x 60	24 x 36	7	31	10	1 1/2	1
	LPT-035-24	3500	3000	2000	24 x 36	48 x 60	24 x 36	7	31	13	1 1/2	1
	LPT-040-24	4000	3000	2350	24 x 36	48 x 60	24 x 36	7	31	15	1 1/2	1
	LPT-050-24	5000	3500	2350	25 x 36	48 x 60	24 x 36	7	31	18	1 1/2	2
	LPT-060-24	6000	3500	2350	25 x 36	48 x 60	24 x 36	7	31	20	1 1/2	2
36"	LPT-020-36	2000	2000	1500	24 x 48	48 x 72	24 x 48	7 1/4	43	9	1 1/2	1
	LPT-025-36	2500	2500	2000	24 x 48	48 x 72	24 x 48	7 1/4	43	11	1 1/2	1
	LPT-030-36	3000	3000	2000	24 x 48	48 x 72	24 x 48	7 1/4	43	12	1 1/2	1
	LPT-035-36	3500	3000	2000	24 x 48	48 x 72	24 x 48	7 1/4	43	16	1 1/2	1
	LPT-040-36	4000	3000	2000	24 x 48	48 x 72	24 x 48	7 1/4	43	18	1 1/2	1
	LPT-045-36	4500	3500	2350	24 x 48	48 x 72	24 x 48	7 1/4	43	19	1 1/2	2
	LPT-050-36	5000	3500	2350	25 x 48	48 x 72	24 x 48	7 1/4	43	24	1 1/2	2
LPT-060-36	6000	3500	2350	25 x 48	48 x 72	24 x 48	7 1/4	43	25	1 1/2	2	
48"	LPT-020-48	2000	2000	1500	25 x 64	48 x 96	25 x 64	7 1/2	55	19	1 1/2	1
	LPT-025-48	2500	2500	1750	25 x 64	48 x 96	25 x 64	7 1/2	55	21	1 1/2	1
	LPT-030-48	3000	3000	2000	25 x 64	48 x 96	25 x 64	7 1/2	55	25	1 1/2	2
	LPT-035-48	3500	3000	2000	25 x 64	48 x 96	25 x 64	7 1/2	55	26	1 1/2	2
	LPT-040-48	4000	3000	2000	26 x 64	48 x 96	25 x 64	7 1/2	55	28	1 1/2	2
	LPT-050-48	5000	3500	2350	26 x 64	48 x 96	25 x 64	7 1/2	55	34	1 1/2	2
	LPT-060-48	6000	3500	2350	26 x 64	48 x 96	25 x 64	7 1/2	55	42	1 1/2	3
60"	LPT-020-60	2000	2000	1500	26 x 84	48 x 108	24 x 84	8	68	30	1 1/2	1
	LPT-025-60	2500	2500	2000	26 x 84	48 x 108	24 x 84	8	68	34	1 1/2	1
	LPT-030-60	3000	3000	2000	26 x 84	48 x 108	24 x 84	8	68	39	1 1/2	2
	LPT-035-60	3500	3000	2000	26 x 84	48 x 108	24 x 84	8	68	42	1 1/2	2
	LPT-040-60	4000	3000	2000	26 x 84	48 x 108	24 x 84	8	68	51	1 1/2	2
	LPT-050-60	5000	3500	2350	26 x 84	48 x 108	24 x 84	8	68	60	1 1/2	3
	LPT-060-60	6000	3500	2350	26 x 84	48 x 108	24 x 84	8	68	70	1 1/2	3

Lift Products, Inc. scissor lift tables are available in capacities from 2,000 lbs. to 10,000 lbs. Travel of 24" to 72" with deck sizes ranging from 24" x 36" to 72" x 108".

## MAX-LIFT Scissor Lift Table - 36" Wide Base

VERTICAL TRAVEL	MODEL	CAPACITY (POUNDS)	EDGE LOADS		PLATFORM SIZES		BASE FRAME (INCHES)	HEIGHT		UP SPEED (SECONDS)	MOTOR H/P	CYLINDER (QUANTITY)
			STATIC	ROLLING	STANDARD	MAXIMUM		LOWERED	RAISED			
36"	LPT3W-020-36	2000	2000	1500	36 x 48	60 x 72	36 x 48	7 1/4	43	10	1 1/2	1
	LPT3W-025-36	2500	2500	2000	36 x 48	60 x 72	36 x 48	7 1/4	43	12	1 1/2	1
	LPT3W-030-36	3000	3000	2000	36 x 48	60 x 72	36 x 48	7 1/4	43	13	1 1/2	1
	LPT3W-035-36	3500	3000	2000	36 x 48	60 x 72	36 x 48	7 1/4	43	17	1 1/2	1
	LPT3W-040-36	4000	3000	2000	36 x 48	60 x 72	36 x 48	7 1/4	43	19	1 1/2	1
	LPT3W-045-36	4500	3500	2350	36 x 48	60 x 72	36 x 48	7 1/4	43	20	1 1/2	2
48"	LPT3W-050-36	5000	3500	2350	36 x 48	60 x 72	36 x 48	7 1/4	43	25	1 1/2	2
	LPT3W-060-36	6000	3500	2350	36 x 48	60 x 72	36 x 48	7 1/4	43	26	1 1/2	2
	LPT3W-020-48	2000	2000	1500	36 x 64	60 x 96	36 x 64	7 1/2	55	24	1 1/2	1
	LPT3W-025-48	2500	2500	1750	36 x 64	60 x 96	36 x 64	7 1/2	55	25	1 1/2	1
	LPT3W-030-48	3000	3000	2000	36 x 64	60 x 96	36 x 64	7 1/2	55	27	1 1/2	2
	LPT3W-035-48	3500	3000	2000	36 x 64	60 x 96	36 x 64	7 1/2	55	32	1 1/2	2
60"	LPT3W-040-48	4000	3000	2000	36 x 64	60 x 96	36 x 64	7 1/2	55	33	1 1/2	2
	LPT3W-050-48	5000	3500	2350	36 x 64	60 x 96	36 x 64	7 1/2	55	34	1 1/2	2
	LPT3W-060-48	6000	3500	2350	36 x 64	60 x 96	36 x 64	7 1/2	55	35	1 1/2	3
	LPT3W-020-60	2000	2000	2000	36 x 84	60 x 108	36 x 84	8	68	30	1 1/2	1
	LPT3W-025-60	2500	2500	2500	36 x 84	60 x 108	36 x 84	8	68	35	1 1/2	1
	LPT3W-030-60	3000	3000	3000	36 x 84	60 x 108	36 x 84	8	68	40	1 1/2	2
60"	LPT3W-035-60	3500	3000	3000	36 x 84	60 x 108	36 x 84	8	68	43	1 1/2	2
	LPT3W-040-60	4000	3000	3000	36 x 84	60 x 108	36 x 84	8	68	53	1 1/2	2
	LPT3W-050-60	5000	3500	3500	36 x 84	60 x 108	36 x 84	8	68	64	1 1/2	3
	LPT3W-060-60	6000	3500	3500	36 x 84	60 x 108	36 x 84	8	68	71	1 1/2	3

## MAX-LIFT Scissor Lift Table - 48" Wide Base

VERTICAL TRAVEL	MODEL	CAPACITY (POUNDS)	EDGE LOADS		PLATFORM SIZES		BASE FRAME (INCHES)	HEIGHT		UP SPEED (SECONDS)	MOTOR H/P	CYLINDER (QUANTITY)
			STATIC	ROLLING	STANDARD	MAXIMUM		LOWERED	RAISED			
36"	LPT4W-020-36	2000	2000	1500	48 x 48	72 x 72	48 x 48	7 1/4	43	10	1 1/2	1
	LPT4W-025-36	2500	2500	2000	48 x 48	72 x 72	48 x 48	7 1/4	43	12	1 1/2	1
	LPT4W-030-36	3000	3000	2000	48 x 48	72 x 72	48 x 48	7 1/4	43	13	1 1/2	2
	LPT4W-035-36	3500	3000	2000	48 x 48	72 x 72	48 x 48	7 1/4	43	17	1 1/2	2
	LPT4W-040-36	4000	3000	2000	48 x 48	72 x 72	48 x 48	7 1/4	43	19	1 1/2	2
	LPT4W-045-36	4500	3500	2350	48 x 48	72 x 72	48 x 48	7 1/4	43	20	1 1/2	2
48"	LPT4W-050-36	5000	3500	2350	48 x 48	72 x 72	48 x 48	7 1/4	43	25	1 1/2	2
	LPT4W-060-36	6000	3500	2350	48 x 48	72 x 72	48 x 48	7 1/4	43	26	1 1/2	2
	LPT4W-020-48	2000	2000	1500	48 x 64	72 x 96	48 x 64	7 1/2	55	24	1 1/2	1
	LPT4W-025-48	2500	2500	1750	48 x 64	72 x 96	48 x 64	7 1/2	55	25	1 1/2	1
	LPT4W-030-48	3000	3000	2000	48 x 64	72 x 96	48 x 64	7 1/2	55	27	1 1/2	2
	LPT4W-035-48	3500	3000	2000	48 x 64	72 x 96	48 x 64	7 1/2	55	32	1 1/2	2
60"	LPT4W-040-48	4000	3000	2000	48 x 64	72 x 96	48 x 64	7 1/2	55	33	1 1/2	2
	LPT4W-050-48	5000	3500	2350	48 x 64	72 x 96	48 x 64	7 1/2	55	34	1 1/2	2
	LPT4W-060-48	6000	3500	2350	48 x 64	72 x 96	48 x 64	7 1/2	55	35	1 1/2	3
	LPT4W-020-60	2000	2000	1500	48 x 84	72 x 108	48 x 84	8	68	30	1 1/2	1
	LPT4W-025-60	2500	2500	2000	48 x 84	72 x 108	48 x 84	8	68	35	1 1/2	1
	LPT4W-030-60	3000	3000	2000	48 x 84	72 x 108	48 x 84	8	68	40	1 1/2	2
60"	LPT4W-035-60	3500	3000	2000	48 x 84	72 x 108	48 x 84	8	68	43	1 1/2	2
	LPT4W-040-60	4000	3000	2000	48 x 84	72 x 108	48 x 84	8	68	53	1 1/2	2
	LPT4W-050-60	5000	3500	2350	48 x 84	72 x 108	48 x 84	8	68	64	1 1/2	3
	LPT4W-060-60	6000	3500	2350	48 x 84	72 x 108	48 x 84	8	68	71	1 1/2	3

- Internally mounted 1-1/2 HP, 115/230V-I-60 or 230/460-3-60 intermittent duty TENV super torque motor
- Specify voltage
- 115V operating control voltage
- NEMA constant pressure
- Magnet-backed up/down push button control station with 10 ft. straight or coiled cord
- NEMA-I prewired controls and electrical connectors
- Control box contains contactor, control transformer, thermal overload and fuse
- All controller components meet UL and/or CSA specifications
- Cylinders with internal stops
- 10 ft. power cord (connector not included)
- Hard, chrome-plated, polished shafting hydraulic cylinder piston rods
- Surfaces degreased, descaled and finished with safety yellow

- and blue enamel
- Smooth steel top with yellow and black safety stripes
- S.A.E. hoses and fittings
- Integral safety restraint maintenance bars
- Internal gear pump with check valve, relief valve, solenoid valve
- Includes hydraulic oil and filter

### Limited Warranty

- 90-day repair or replacement on total product.
- 90-day on electrical components, except motors
- 5 years or 100,000 cycles on bearing
- 5 years on structural components

### Options:

- Foot control switch with 10 ft. cord
- Accordion skirting or roller curtain skirting
- Tapered top guards for pit mounting
- Rotating top
- Casters
- Semi-live with jack handle
- Special controls
- All stainless steel top
- Perimeter safety bar
- Other options available
- Contact factory for special requirements

Specifications are subject to change without notice. Consult your dealer for current information. Lift Products, Inc. products are covered by patents pending and other rights reserved.

## DOUBLE HIGH MAX-LIFT TABLES

VERTICAL TRAVEL	MODEL	CAPACITY (Lbs.)	EDGE LOADS		PLATFORM SIZES		BASE FRAME (INCHES)*	HEIGHT		SHIP WT. (Lbs.)
			STATIC	ROLLING	STANDARD	MAXIMUM		LOWERED	RAISED	
72"	LPT-20-72XXH	2000	2000	1500	24 X 48	48 X 72	24 X 48	14.5	86.5	560
72"	LPT-25-72XXH	2500	2500	2000	24 X 48	48 X 72	24 X 48	14.5	86.5	595
72"	LPT-30-72XXH	3000	3000	2000	24 X 48	48 X 72	24 X 48	14.5	86.5	630
72"	LPT-35-72XXH	3500	3000	2000	24 X 48	48 X 72	24 X 48	14.5	86.5	665
72"	LPT-40-72XXH	4000	3000	2350	24 X 48	48 X 72	24 X 48	14.5	86.5	700
72"	LPT-45-72XXH	5000	3500	2350	24 X 48	48 X 72	24 X 48	14.5	86.5	735
96"	LPT-20-96XXH	2000	2000	1500	25 X 64	48 X 88	25 X 64	15	111	660
96"	LPT-25-96XXH	2500	2500	2000	25 X 64	48 X 88	25 X 64	15	111	695
96"	LPT-30-96XXH	3000	3000	2000	25 X 64	48 X 88	25 X 64	15	111	730
96"	LPT-35-96XXH	3500	3000	2000	25 X 64	48 X 88	25 X 64	15	111	765
96"	LPT-40-96XXH	4000	3000	2000	25 X 64	48 X 88	25 X 64	15	111	800



Shown with optional rotating top.

## DOUBLE LONG MAX-LIFT TABLES

VERTICAL TRAVEL	MODEL	CAPACITY (Lbs.)	EDGE LOADS		PLATFORM SIZES		BASE FRAME (INCHES)	HEIGHT		SHIP WT. (Lbs.)
			STATIC	ROLLING	STANDARD	MAXIMUM		LOWERED	RAISED	
36"	LPT-020-36XXL	2000	2000	1500	26 X 96	48 X 144	30 X 96	7.75	43.75	1,320
36"	LPT-030-36XXL	3000	3000	2000	26 X 96	48 X 144	30 X 96	7.75	43.75	1,400
36"	LPT-040-36XXL	4000	3000	2350	26 X 96	48 X 144	30 X 96	7.75	43.75	1,525
36"	LPT-060-36XXL	6000	3500	2350	26 X 96	48 X 144	30 X 96	7.75	43.75	1,600
36"	LPT-080-36XXL	8000	3500	2350	26 X 96	48 X 144	30 X 96	7.75	43.75	1,670
48"	LPT-020-48XXL	2000	2000	1500	27 X 130	48 X 192	31 X 128	8.00	56	1,590
48"	LPT-030-48XXL	3000	3000	2000	27 X 130	48 X 192	31 X 128	8.00	56	1,640
48"	LPT-040-48XXL	4000	3000	2000	27 X 130	48 X 192	31 X 128	8.00	56	1,710
48"	LPT-060-48XXL	6000	3500	2350	27 X 130	48 X 192	31 X 128	8.00	56	1,900
48"	LPT-080-48XXL	8000	3500	2350	27 X 130	48 X 192	31 X 128	8.00	56	1,990
60"	LPT-020-60XXL	2000	2000	1500	27 X 170	48 X 216	31 X 168	8.5	68.5	2,000
60"	LPT-030-60XXL	3000	3000	2000	27 X 170	48 X 216	31 X 168	8.5	68.5	2,140
60"	LPT-040-60XXL	4000	3000	2000	27 X 170	48 X 216	31 X 168	8.5	68.5	2,230
60"	LPT-060-60XXL	6000	3500	2350	27 X 170	48 X 216	31 X 168	8.5	68.5	2,350
60"	LPT-080-60XXL	8000	3500	2350	27 X 170	48 X 216	31 X 168	8.5	68.5	2,440



Shown with optional ball transfer top.

## DOUBLE WIDE MAX-LIFT TABLES

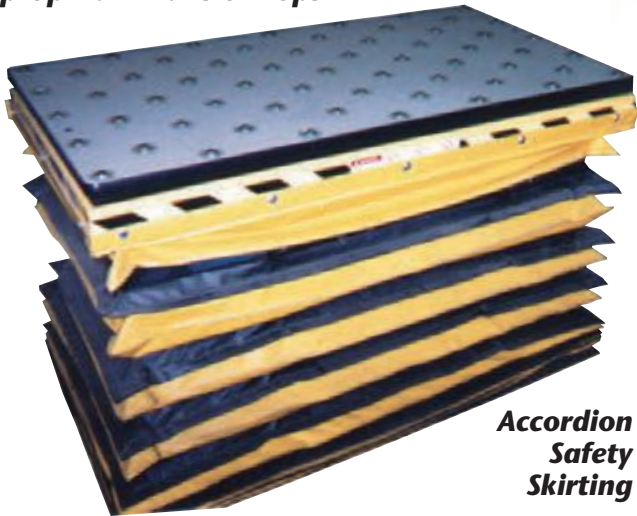
VERTICAL TRAVEL	MODEL	CAPACITY (Lbs.)	EDGE LOADS		PLATFORM SIZES		BASE FRAME (INCHES)	HEIGHT		SHIP WT. (Lbs.)
			STATIC	ROLLING	STANDARD	MAXIMUM		LOWERED	RAISED	
36"	LPT-020-36XXW	2000	2000	1500	50 X 50	100 X 50	50 X 50	7.75	43.75	840
36"	LPT-030-36XXW	3000	3000	2000	50 X 50	100 X 50	50 X 50	7.75	43.75	875
36"	LPT-040-36XXW	4000	3000	2350	50 X 50	100 X 50	50 X 50	7.75	43.75	910
36"	LPT-060-36XXW	6000	3500	2350	50 X 50	100 X 50	50 X 50	7.75	43.75	945
36"	LPT-080-36XXW	8000	3500	2350	50 X 50	100 X 50	50 X 50	7.75	43.75	980
48"	LPT-020-48XXW	2000	2000	1500	52 X 66	48 X 192	52 X 66	8.00	56	1,015
48"	LPT-030-48XXW	3000	3000	2000	52 X 66	48 X 192	52 X 66	8.00	56	1,050
48"	LPT-040-48XXW	4000	3000	2000	52 X 66	48 X 192	52 X 66	8.00	56	1,085
48"	LPT-060-48XXW	6000	3500	2350	52 X 66	48 X 192	52 X 66	8.00	56	960
48"	LPT-080-48XXW	8000	3500	2350	52 X 66	48 X 192	52 X 66	8.00	56	995
60"	LPT-020-60XXW	2000	2000	1500	52 X 86	48 X 216	52 X 86	8.5	68.5	1,030
60"	LPT-030-60XXW	3000	3000	2000	52 X 86	48 X 216	52 X 86	8.5	68.5	1,065
60"	LPT-040-60XXW	4000	3000	2000	52 X 86	48 X 216	52 X 86	8.5	68.5	1,100
60"	LPT-060-60XXW	6000	3500	2350	52 X 86	48 X 216	52 X 86	8.5	68.5	1,135
60"	LPT-080-60XXW	8000	3500	2350	52 X 86	48 X 216	52 X 86	8.5	68.5	1,170



**D.C. Operated Lift Table  
Manual or Self-Propelled**



**Pop-Up Ball Transfer Tops**



**Accordion  
Safety  
Skirting**



**Conveyor Top  
Powered or Gravity**

## MAX-LIFT Table Options

**Square or Round Turn-Table**



**Powered Rotation  
Available**



**Caster Frame Assembly Available  
in low profile (shown) or standard  
height design**



**Tapered Toe  
Guards for In-floor  
Applications**



**Semi-Live with  
Dolly Jack**

Other Options Available: Stainless Steel Tops • Special Paint • Special Electrical Controls  
Contact Factory for Additional Options

## MAX-XL PT Heavy Lift



The new Max-XL Lift Table is designed for heavy lift requirements. Featuring:

- 3 HP Heavy Duty Motor (internal)
- 5" Lift Cylinders with Teflon Seals
- 1-1/2" x 8" Solid Scissor Arms
- Magnetic-Baked Push Button Control on 10 ft. Cord
- Built-In Safety Bars



Model	Capacity	Edge Load	Platform Sizes		Base Frame	Lower	Raised	Speed	# of Cylinder
			STD	MAX					
XLPT-080-36	8,000	7,000	36 x 48	48 x 72	36 x 48	9.5	44	29 sec	2
XLPT-100-36	10,000	7,000	36 x 48	48 x 72	36 x 48	9.5	44	44 sec	3

- Internally mounted 3 HP, 115/230V-I-60 or 230/460-3-60 intermittent duty TENV super torque motor
- Specify voltage
- 115V operating control voltage
- NEMA constant pressure
- Magnet-backed up/down push button control station with 10 ft. straight or coiled cord
- NEMA-I prewired controls and electrical connectors
- Control box contains contactor, control transformer, thermal overload and fuse
- All controller components meet UL and/or CSA specifications
- Cylinders with internal stops
- 10 ft. power cord (connector not included)
- Hard, chrome-plated, polished shafting hydraulic cylinder piston rods

- Surfaces degreased, descaled and finished with safety yellow and blue enamel
- Smooth steel top with yellow and black safety stripes
- S.A.E. hoses and fittings
- Integral safety restraint maintenance bars
- Internal gear pump with check valve, relief valve, solenoid valve
- Includes hydraulic oil and filter

#### Limited Warranty

- 90-day repair or replacement on total product.
- 90-day on electrical components, except motors
- 5 years or 100,000 cycles on bearing
- 5 years on structural components

#### Options:

- Foot control switch with 10 ft. cord
- Accordion skirting or roller curtain skirting
- Tapered top guards for pit mounting
- Rotating top
- Casters or flanged wheels
- Semi-live with jack handle
- Special controls
- All stainless steel top
- Perimeter safety bar
- Other options available
- Contact factory for special requirements

Specifications are subject to change without notice. Consult your dealer for current information. Lift Products, Inc. products are covered by patents pending and other rights reserved.



# LIFT PRODUCTS NOT ONLY BUILDS TABLES, WE BUILD SOLUTIONS

“Innovations in Ergonomics” aptly describes our guiding philosophy. The development of material handling products with the emphasis on ergonomics enables us to actually contribute to a reduction of injuries in the workplace. Lift Products is proud to be able to offer products that are ergonomically designed and, as a result, substantially increase productivity.

We pride ourselves on being a valuable source for custom products as well as being able to make certain modifications to our standard products that are simply too difficult for many manufacturers to consider. If you have an unusual request, be sure to check with us. Chances are, we will be in a position to work with you.

Remember, if you don't see exactly what you are looking for, call us toll free at: 877-LIFT-PRO (877-543-8776) You can also visit our website at [www.liftproducts.com](http://www.liftproducts.com).

## Customizing Lift Tables to Your Application



### MAX-MGV

The MAX-MGV (Manually Guided Vehicle) has been designed to move products in the assembly process from station to station and place them at the ideal height, increase through put and offer the most comfortable ergonomic position all without the assistance of other material handling equipment.

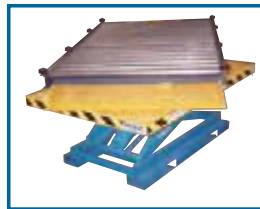


### Custom Tilt-Table Up-Ends Rolls

Rolls are conveyed onto tilter. Roll is tilted 90° to be placed on pallet and conveyed off.

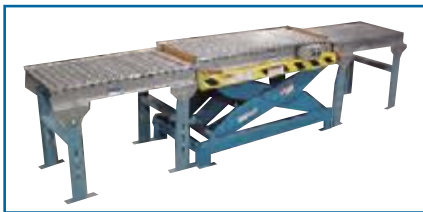
### Rotating Top Improves Productivity

- Rotating conveyor top with pneumatic brake roller stop
- Special air rotating bearing to eliminate hanging hoses or trip hazards
- Automatic stop at home position



### Air Bearing Base Provides Easy Positioning

This table has a raised air bearing base that permits movement of heavy loads by floating the load from position to position.



### Lift Products Offers Total Capability

Whether it's a simple lift table or a complete system, Lift Products offers the solution. The pictured lift table has these important features:

- Conveyor top.
- Custom manual blade stop with electric interlock to prevent movement unless in raised position.
- Pneumatic always up blade stop on stationary conveyor with photo-eye to lower when in home position.
- Automatic stop at home position when raising or lowering with push button override. This table was designed for a major transformer manufacturer to reduce injuries and increase productivity.



### Double Scissors Long

For loads that require extra length. We offer tables up to 14 feet long.

**For More Information:**  
**866-333-0728**  
**Custom Equipment Company**  
[sales@customMhs.com](mailto:sales@customMhs.com)  
[www.customMhs.com](http://www.customMhs.com)