



Profit from the Eagle Advantage®

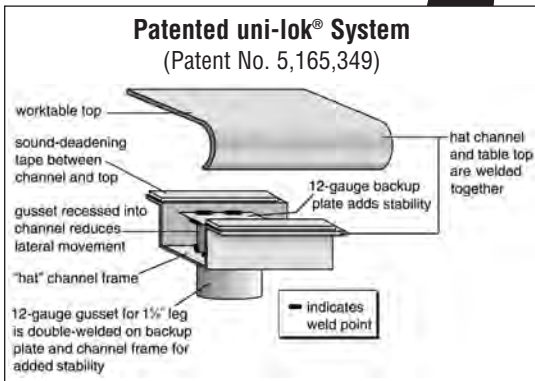
Specification Sheet

Short Form Specifications

Eagle worktables, Spec-Master® series, model _____.
 Top to be constructed of 14/304 stainless steel with 1½" roll on front and rear, and sides turned down 90°. Open front with 1¼" O.D. galvanized tubular crossbracing on sides and rear. Top reinforced with welded hat channels and sound deadened. Constructed with uni-lok® patented gusset system with the gussets recessed into the hat channels to reduce lateral movement. Legs to be 1½" O.D. galvanized tubing, with galvanized gussets and 1" hi-impact plastic bullet feet.



worktable with flat top and tubular base



Item No.: _____
 Project No.: _____
 S.I.S. No.: _____

Worktables with Flat Top and Galvanized Tubular Base —Spec-Master® Series

MODELS:

- | | | | |
|------------------------------------|------------------------------------|------------------------------------|------------------------------------|
| <input type="checkbox"/> T2424GTE | <input type="checkbox"/> T24144GTE | <input type="checkbox"/> T30132GTE | <input type="checkbox"/> T36144GTE |
| <input type="checkbox"/> T2430GTE | <input type="checkbox"/> T3030GTE | <input type="checkbox"/> T30144GTE | <input type="checkbox"/> T4848GTE |
| <input type="checkbox"/> T2436GTE | <input type="checkbox"/> T3036GTE | <input type="checkbox"/> T3648GTE | <input type="checkbox"/> T4860GTE |
| <input type="checkbox"/> T2448GTE | <input type="checkbox"/> T3048GTE | <input type="checkbox"/> T3660GTE | <input type="checkbox"/> T4872GTE |
| <input type="checkbox"/> T2460GTE | <input type="checkbox"/> T3060GTE | <input type="checkbox"/> T3672GTE | <input type="checkbox"/> T4884GTE |
| <input type="checkbox"/> T2472GTE | <input type="checkbox"/> T3072GTE | <input type="checkbox"/> T3684GTE | <input type="checkbox"/> T4896GTE |
| <input type="checkbox"/> T2484GTE | <input type="checkbox"/> T3084GTE | <input type="checkbox"/> T3696GTE | <input type="checkbox"/> T48108GTE |
| <input type="checkbox"/> T2496GTE | <input type="checkbox"/> T3096GTE | <input type="checkbox"/> T36108GTE | <input type="checkbox"/> T48120GTE |
| <input type="checkbox"/> T24108GTE | <input type="checkbox"/> T30108GTE | <input type="checkbox"/> T36120GTE | <input type="checkbox"/> T48132GTE |
| <input type="checkbox"/> T24120GTE | <input type="checkbox"/> T30120GTE | <input type="checkbox"/> T36132GTE | <input type="checkbox"/> T48144GTE |
| <input type="checkbox"/> T24132GTE | | | |

Tabletop

- Patented uni-lok® gusset system (patent #5,165,349): gussets are recessed into hat channel, reducing lateral movement.
- Top reinforced with welded-on hat channel.
- Sound-deadened between top and channels.
- 1½" (38mm)-diameter 180° rolled edges on front and rear. Ends are turned down 90°, providing for flush installations when required.
- 14 gauge type 304 polished stainless steel.

Crossbracing—1¼" (38mm)-diameter

- Heavy gauge, galvanized.
- Aluminum castings join crossbraces, legs and rear brace.

Legs—1½" (41mm)-diameter

- 24" to 36" (610 to 914mm)-wide units that are 96" (2438mm) and longer come with six legs or more. 48" (1219mm)-wide units that are 72" (1829mm) and longer come with six legs or more.
- Heavy gauge galvanized steel.
- 1" (25mm) adjustable hi-impact plastic feet.

Options / Accessories

- | | |
|--|--|
| <input type="checkbox"/> Drawer | <input type="checkbox"/> Duplex receptacles |
| <input type="checkbox"/> Lock | <input type="checkbox"/> Pot rack |
| <input type="checkbox"/> Casters | <input type="checkbox"/> Sink |
| <input type="checkbox"/> Stainless steel bullet feet | <input type="checkbox"/> Stabilizer Bar (for 30"- and 36"-wide tables) |
| <input type="checkbox"/> Overshelves | |

Distributed By: Custom Equipment Company

866-333-0728

Sales: sales@custommhs.com

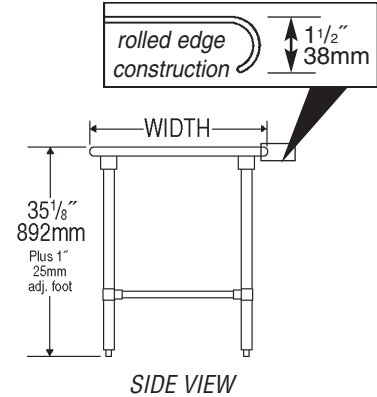
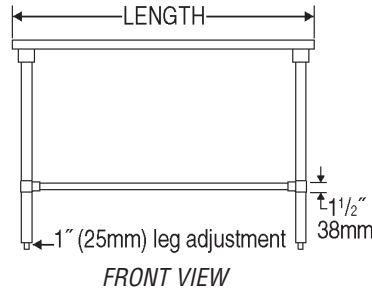
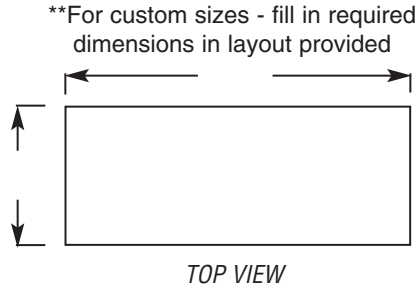
General Info: info@custommhs.com

www.custommhs.com



Item No.: _____
 Project No.: _____
 S.I.S. No.: _____

Worktables with Flat Top and Galvanized Tubular Base —Spec-Master® Series



model #	# of legs	width		length		weight	
		in.	mm	in.	mm	lbs.	kg
T2424GTE	4	24"	610	24"	610	44	20.0
T2430GTE	4	24"	610	30"	762	48	21.8
T2436GTE	4	24"	610	36"	914	55	24.9
T2448GTE	4	24"	610	48"	1219	66	29.9
T2460GTE	4	24"	610	60"	1524	77	34.9
T2472GTE	4	24"	610	72"	1829	88	39.9
T2484GTE	4	24"	610	84"	2134	99	44.9
T2496GTE	6	24"	610	96"	2438	110	49.9
T24108GTE	6	24"	610	108"	2743	121	54.9
T24120GTE	6	24"	610	120"	3048	132	59.9
T24132GTE	8	24"	610	132"	3353	145	65.8
T24144GTE	8	24"	610	144"	3658	154	69.9
T3030GTE	4	30"	762	30"	762	52	23.6
T3036GTE	4	30"	762	36"	914	58	26.3
T3048GTE	4	30"	762	48"	1219	72	32.7
T3060GTE	4	30"	762	60"	1524	85	38.6
T3072GTE	4	30"	762	72"	1829	98	44.5
T3084GTE	4	30"	762	84"	2134	111	50.3
T3096GTE	6	30"	762	96"	2438	124	56.2
T30108GTE	6	30"	762	108"	2743	138	62.6
T30120GTE	6	30"	762	120"	3048	151	68.5
T30132GTE	8	30"	762	132"	3353	164	74.4
T30144GTE	8	30"	762	144"	3658	177	80.3
T3648GTE	4	36"	914	48"	1219	80	36.3
T3660GTE	4	36"	914	60"	1524	96	43.6
T3672GTE	4	36"	914	72"	1829	111	50.3
T3684GTE	4	36"	914	84"	2134	127	57.6
T3696GTE	6	36"	914	96"	2438	142	64.4
T36108GTE	6	36"	914	108"	2743	157	71.2
T36120GTE	6	36"	914	120"	3048	172	78.0
T36132GTE	8	36"	914	132"	3353	188	85.3
T36144GTE	8	36"	914	144"	3658	204	92.5
T4848GTE	4	48"	1219	48"	1219	96	43.6
T4860GTE	4	48"	1219	60"	1524	111	50.3
T4872GTE	6	48"	1219	72"	1829	127	57.6
T4884GTE	8	48"	1219	84"	2134	132	59.9
T4896GTE	8	48"	1219	96"	2438	157	71.2
T48108GTE	8	48"	1219	108"	2743	173	78.5
T48120GTE	8	48"	1219	120"	3048	188	85.3
T48132GTE	8	48"	1219	132"	3353	204	92.5
T48144GTE	8	48"	1219	144"	3658	219	99.3

Distributed By: Custom Equipment Company
 866-333-0728
 Sales: sales@custommhs.com
 General Info: info@custommhs.com
 www.custommhs.com