



Profit from the Eagle Advantage®

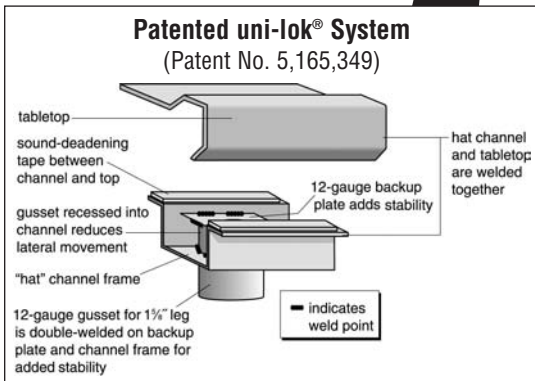
Specification Sheet

Short Form Specifications

Eagle worktables, Spec-Master® Marine series, model _____ . Top to be constructed of 14/304 stainless steel with a 2 1/8" marine counter style edging on all four sides. Open front with 1 1/4" O.D. galvanized tubular crossbracing on sides and rear. Top reinforced with welded hat channels and sound deadened. Constructed with uni-lok® patented gusset system with the gussets recessed into the hat channels to reduce lateral movement. Legs to be 1 1/2" O.D. galvanized tubing, with galvanized gussets and 1" hi-impact plastic bullet feet.



worktable with flat top and tubular base



Item No.: _____
 Project No.: _____
 S.I.S. No.: _____

Worktables with Flat Top and Galvanized Tubular Base —Spec-Master® Marine Series

MODELS:

- T2424GTEM T24144GTEM T30132GTEM T36144GTEM
- T2430GTEM T3030GTEM T30144GTEM T4848GTEM
- T2436GTEM T3036GTEM T3648GTEM T4860GTEM
- T2448GTEM T3048GTEM T3660GTEM T4872GTEM
- T2460GTEM T3060GTEM T3672GTEM T4884GTEM
- T2472GTEM T3072GTEM T3684GTEM T4896GTEM
- T2484GTEM T3084GTEM T3696GTEM T48108GTEM
- T2496GTEM T3096GTEM T36108GTEM T48120GTEM
- T24108GTEM T30108GTEM T36120GTEM T48132GTEM
- T24120GTEM T30120GTEM T36132GTEM T48144GTEM
- T24132GTEM

Tabletop

- Patented uni-lok® gusset system (patent #5,165,349): gussets are recessed into hat channel, reducing lateral movement.
- Top reinforced with welded-on hat channel.
- Sound-deadened between top and channels.
- Marine counter edge on all four sides.
- 14 gauge type 304 polished stainless steel.

Crossbracing—1 1/4" (38mm)-diameter

- Heavy gauge, galvanized.
- Aluminum castings join crossbraces, legs and rear brace.

Legs—1 1/2" (41mm)-diameter

- 24" to 36" (610 to 914mm)-wide units that are 96" (2438mm) and longer come with six legs or more. 48" (1219mm)-wide units that are 72" (1829mm) and longer come with six legs or more.
- Heavy gauge galvanized steel.
- 1" (25mm) adjustable hi-impact plastic feet.

Options / Accessories

- Drawer
- Lock
- Casters
- Stainless steel bullet feet
- Overshelves
- Duplex receptacles
- Pot rack
- Sink
- Stabilizer Bar (for 30"- and 36"-wide tables)

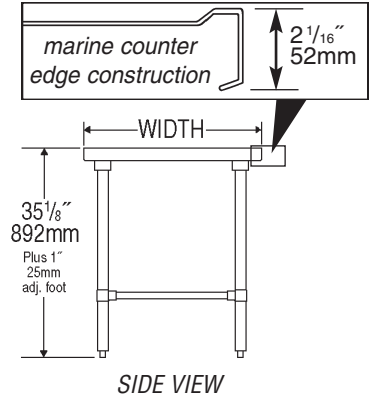
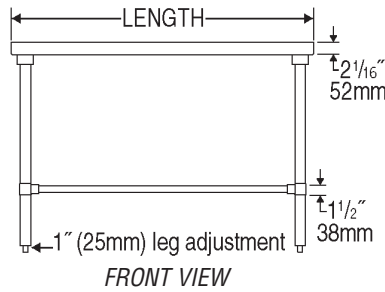
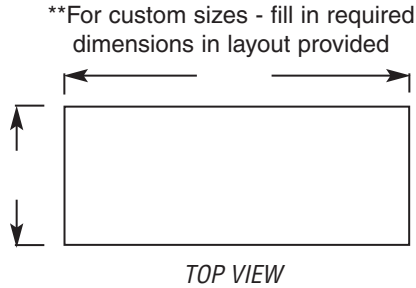
Certifications / Approvals





Item No.: _____
 Project No.: _____
 S.I.S. No.: _____

Worktables with Flat Top and Galvanized Tubular Base —Spec-Master® Marine Series



model #	# of legs	width		length		weight	
		in.	mm	in.	mm	lbs.	kg
T2424GTEM	4	24"	610	24"	610	44	20.0
T2430GTEM	4	24"	610	30"	762	48	21.8
T2436GTEM	4	24"	610	36"	914	55	24.9
T2448GTEM	4	24"	610	48"	1219	66	29.9
T2460GTEM	4	24"	610	60"	1524	77	34.9
T2472GTEM	4	24"	610	72"	1829	88	39.9
T2484GTEM	4	24"	610	84"	2134	99	44.9
T2496GTEM	6	24"	610	96"	2438	110	49.9
T24108GTEM	6	24"	610	108"	2743	121	54.9
T24120GTEM	6	24"	610	120"	3048	132	59.9
T24132GTEM	8	24"	610	132"	3353	145	65.8
T24144GTEM	8	24"	610	144"	3658	154	69.9
T3030GTEM	4	30"	762	30"	762	52	23.6
T3036GTEM	4	30"	762	36"	914	58	26.3
T3048GTEM	4	30"	762	48"	1219	72	32.7
T3060GTEM	4	30"	762	60"	1524	85	38.6
T3072GTEM	4	30"	762	72"	1829	98	44.5
T3084GTEM	4	30"	762	84"	2134	111	50.3
T3096GTEM	6	30"	762	96"	2438	124	56.2
T30108GTEM	6	30"	762	108"	2743	138	62.6
T30120GTEM	6	30"	762	120"	3048	151	68.5
T30132GTEM	8	30"	762	132"	3353	164	74.4
T30144GTEM	8	30"	762	144"	3658	177	80.3
T3648GTEM	4	36"	914	48"	1219	80	36.3
T3660GTEM	4	36"	914	60"	1524	96	43.6
T3672GTEM	4	36"	914	72"	1829	111	50.3
T3684GTEM	4	36"	914	84"	2134	127	57.6
T3696GTEM	6	36"	914	96"	2438	142	64.4
T36108GTEM	6	36"	914	108"	2743	157	71.2
T36120GTEM	6	36"	914	120"	3048	172	78.0
T36132GTEM	8	36"	914	132"	3353	188	85.3
T36144GTEM	8	36"	914	144"	3658	204	92.5
T4848GTEM	4	48"	1219	48"	1219	96	43.6
T4860GTEM	4	48"	1219	60"	1524	111	50.3
T4872GTEM	6	48"	1219	72"	1829	127	57.6
T4884GTEM	8	48"	1219	84"	2134	132	59.9
T4896GTEM	8	48"	1219	96"	2438	157	71.2
T48108GTEM	8	48"	1219	108"	2743	173	78.5
T48120GTEM	8	48"	1219	120"	3048	188	85.3
T48132GTEM	8	48"	1219	132"	3353	204	92.5
T48144GTEM	8	48"	1219	144"	3658	219	99.3

Custom Equipment Company
 Toll Free: 866-333-0728
 Fax: 919-847-5765
 e-mail: tom@custommhs.com
 Secure Website:
<https://www.custommhs.com>