



Profit from the Eagle Advantage®

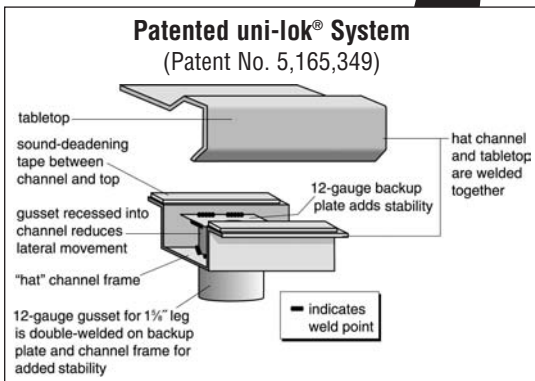
# Specification Sheet

## Short Form Specifications

Eagle worktables, Spec-Master® Marine series, model \_\_\_\_\_. Top to be constructed of 14/304 stainless steel with 2 5/8" marine counter style edging on all four sides. Open front with 1 1/4" O.D., stainless steel tubular crossbracing on sides and rear. Top reinforced with welded hat channels and sound deadened. Constructed with uni-lok® patented gusset system with the gussets recessed into the hat channels to reduce lateral movement. Legs to be 1 1/2" O.D. stainless steel tubing, with stainless steel gussets and 1" adjustable stainless steel bullet feet.



worktable with flat top and tubular base



Item No.: \_\_\_\_\_  
 Project No.: \_\_\_\_\_  
 S.I.S. No.: \_\_\_\_\_

## Worktables with Flat Top and Stainless Steel Tubular Base —Spec-Master® Marine Series

### MODELS:

- T2424STEM     T24144STEM     T30132STEM     T36144STEM
- T2430STEM     T3030STEM     T30144STEM     T4848STEM
- T2436STEM     T3036STEM     T3648STEM     T4860STEM
- T2448STEM     T3048STEM     T3660STEM     T4872STEM
- T2460STEM     T3060STEM     T3672STEM     T4884STEM
- T2472STEM     T3072STEM     T3684STEM     T4896STEM
- T2484STEM     T3084STEM     T3696STEM     T48108STEM
- T2496STEM     T3096STEM     T36108STEM     T48120STEM
- T24108STEM     T30108STEM     T36120STEM     T48132STEM
- T24120STEM     T30120STEM     T36132STEM     T48144STEM
- T24132STEM

### Tabletop

- Patented uni-lok® gusset system (patent #5,165,349): gussets are recessed into hat channel, reducing lateral movement.
- Top reinforced with welded-on hat channel.
- Sound-deadened between top and channels.
- Marine counter edge on all four sides.
- 14 gauge type 304 polished stainless steel.

### Crossbracing—1 1/4" (38mm)-diameter

- Heavy gauge stainless steel.
- Aluminum castings join crossbraces, legs and rear brace.

### Legs—1 1/2" (41mm)-diameter

- 24" to 36" (610 to 914mm)-wide units that are 96" (2438mm) and longer come with six legs or more. 48" (1219mm)-wide units that are 72" (1829mm) and longer come with six legs or more.
- Heavy gauge stainless steel.
- 1" (25mm) adjustable stainless steel feet.

### Options / Accessories

- Drawer
- Lock
- Casters
- Stainless steel bullet feet
- Overshelves
- Duplex receptacles
- Pot rack
- Sink
- Stabilizer Bar (for 30"- and 36"-wide tables)

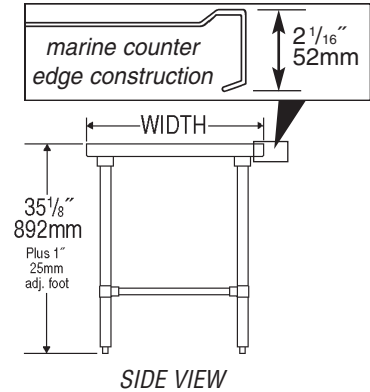
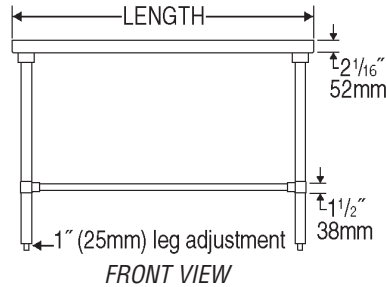
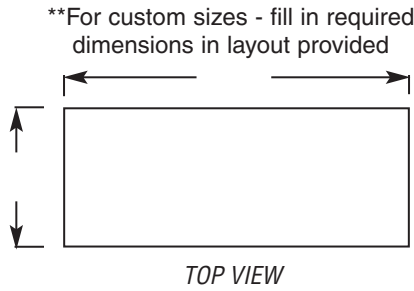
### Certifications / Approvals





Item No.: \_\_\_\_\_  
 Project No.: \_\_\_\_\_  
 S.I.S. No.: \_\_\_\_\_

# Worktables with Flat Top and Stainless Steel Tubular Base —Spec-Master® Marine Series



model #	# of legs	width		length		weight	
		in.	mm	in.	mm	lbs.	kg
T2424STEM	4	24"	610	24"	610	44	20.0
T2430STEM	4	24"	610	30"	762	48	21.8
T2436STEM	4	24"	610	36"	914	55	24.9
T2448STEM	4	24"	610	48"	1219	66	29.9
T2460STEM	4	24"	610	60"	1524	77	34.9
T2472STEM	4	24"	610	72"	1829	88	39.9
T2484STEM	4	24"	610	84"	2134	99	44.9
T2496STEM	6	24"	610	96"	2438	110	49.9
T24108STEM	6	24"	610	108"	2743	121	54.9
T24120STEM	6	24"	610	120"	3048	132	59.9
T24132STEM	8	24"	610	132"	3353	145	65.8
T24144STEM	8	24"	610	144"	3658	154	69.9
T3030STEM	4	30"	762	30"	762	52	23.6
T3036STEM	4	30"	762	36"	914	58	26.3
T3048STEM	4	30"	762	48"	1219	72	32.7
T3060STEM	4	30"	762	60"	1524	85	38.6
T3072STEM	4	30"	762	72"	1829	98	44.5
T3084STEM	4	30"	762	84"	2134	111	50.3
T3096STEM	6	30"	762	96"	2438	124	56.2
T30108STEM	6	30"	762	108"	2743	138	62.6
T30120STEM	6	30"	762	120"	3048	151	68.5
T30132STEM	8	30"	762	132"	3353	164	74.4
T30144STEM	8	30"	762	144"	3658	177	80.3
T3648STEM	4	36"	914	48"	1219	80	36.3
T3660STEM	4	36"	914	60"	1524	96	43.6
T3672STEM	4	36"	914	72"	1829	111	50.3
T3684STEM	4	36"	914	84"	2134	127	57.6
T3696STEM	6	36"	914	96"	2438	142	64.4
T36108STEM	6	36"	914	108"	2743	157	71.2
T36120STEM	6	36"	914	120"	3048	172	78.0
T36132STEM	8	36"	914	132"	3353	188	85.3
T36144STEM	8	36"	914	144"	3658	204	92.5
T4848STEM	4	48"	1219	48"	1219	96	43.6
T4860STEM	4	48"	1219	60"	1524	111	50.3
T4872STEM	6	48"	1219	72"	1829	127	57.6
T4884STEM	8	48"	1219	84"	2134	132	59.9
T4896STEM	8	48"	1219	96"	2438	157	71.2
T48108STEM	8	48"	1219	108"	2743	173	78.5
T48120STEM	8	48"	1219	120"	3048	188	85.3
T48132STEM	8	48"	1219	132"	3353	204	92.5
T48144STEM	8	48"	1219	144"	3658	219	99.3

**Custom Equipment Company**  
 Toll Free: 866-333-0728  
 Fax: 919-847-5765  
 e-mail: tom@custommhs.com  
 Secure Website:  
<https://www.custommhs.com>