



Profit from the Eagle Advantage®

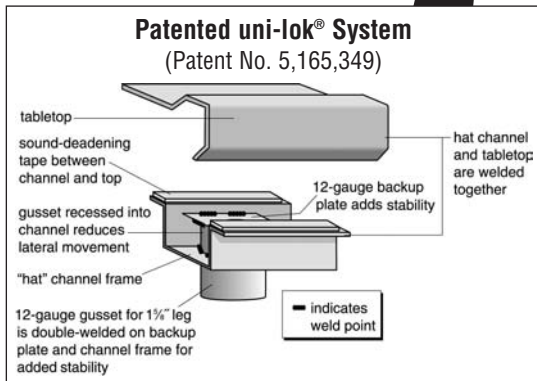
# Specification Sheet

## Short Form Specifications

Eagle worktables, Spec-Master® Marine series, model \_\_\_\_\_ . Top to be constructed of 14/304 stainless steel with a 2½" marine counter style edging on all four sides and 4½" backsplash. Open front with 1½" O.D. galvanized tubular crossbracing on sides and rear. Top reinforced with welded hat channels and sound deadened. Constructed with uni-lok® patented gusset system with the gussets recessed into the hat channels to reduce lateral movement. Legs to be 1½" O.D. galvanized tubing, with galvanized gussets and 1" hi-impact plastic bullet feet.



worktable with backsplash and tubular base



Item No.: \_\_\_\_\_  
 Project No.: \_\_\_\_\_  
 S.I.S. No.: \_\_\_\_\_

## Worktables with Backsplash and Galvanized Tubular Base —Spec-Master® Marine Series

### MODELS:

- |                                       |  |  |  |
|---------------------------------------|--|--|--|
| <input type="checkbox"/> T2424GTEM-BS | <input type="checkbox"/> T24108GTEM-BS | <input type="checkbox"/> T3072GTEM-BS  | <input type="checkbox"/> T3660GTEM-BS  |
| <input type="checkbox"/> T2430GTEM-BS | <input type="checkbox"/> T24120GTEM-BS | <input type="checkbox"/> T3084GTEM-BS  | <input type="checkbox"/> T3672GTEM-BS  |
| <input type="checkbox"/> T2436GTEM-BS | <input type="checkbox"/> T24132GTEM-BS | <input type="checkbox"/> T3096GTEM-BS  | <input type="checkbox"/> T3684GTEM-BS  |
| <input type="checkbox"/> T2448GTEM-BS | <input type="checkbox"/> T24144GTEM-BS | <input type="checkbox"/> T30108GTEM-BS | <input type="checkbox"/> T3696GTEM-BS  |
| <input type="checkbox"/> T2460GTEM-BS | <input type="checkbox"/> T3030GTEM-BS  | <input type="checkbox"/> T30120GTEM-BS | <input type="checkbox"/> T36108GTEM-BS |
| <input type="checkbox"/> T2472GTEM-BS | <input type="checkbox"/> T3036GTEM-BS  | <input type="checkbox"/> T30132GTEM-BS | <input type="checkbox"/> T36120GTEM-BS |
| <input type="checkbox"/> T2484GTEM-BS | <input type="checkbox"/> T3048GTEM-BS  | <input type="checkbox"/> T30144GTEM-BS | <input type="checkbox"/> T36132GTEM-BS |
| <input type="checkbox"/> T2496GTEM-BS | <input type="checkbox"/> T3060GTEM-BS  | <input type="checkbox"/> T3648GTEM-BS  | <input type="checkbox"/> T36144GTEM-BS |

### Tabletop

- Patented uni-lok® gusset system (patent #5,165,349): gussets are recessed into hat channel, reducing lateral movement.
- Top reinforced with welded-on hat channel.
- Sound-deadened between top and channels.
- 4½" (114mm)-high 90° backsplash with 1" (25mm) turn at 90°.
- Marine counter edge on front and ends.
- 14 gauge type 304 polished stainless steel.

### Crossbracing—1¼" (38mm)-diameter

- Heavy gauge, galvanized.
- Aluminum castings join crossbraces, legs and rear brace.

### Legs—1½" (41mm)-diameter

- Tables 96" (2438mm) and longer come with six legs or more.
- Heavy gauge galvanized steel.
- 1" (25mm) adjustable hi-impact plastic feet.

### Options / Accessories

- |  |  |
|--|--|
| <input type="checkbox"/> Drawer                      | <input type="checkbox"/> Duplex receptacles                            |
| <input type="checkbox"/> Lock                        | <input type="checkbox"/> Pot rack                                      |
| <input type="checkbox"/> Casters                     | <input type="checkbox"/> Sink  |
| <input type="checkbox"/> Stainless steel bullet feet | <input type="checkbox"/> Stabilizer Bar (for 30"- and 36"-wide tables) |
| <input type="checkbox"/> Overshelves                 |  |

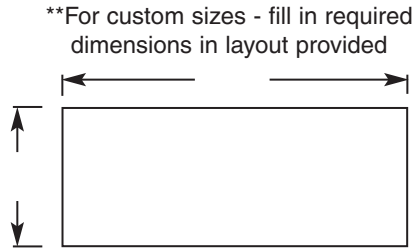
### Certifications / Approvals



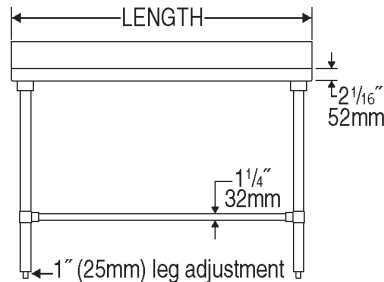


Item No.: \_\_\_\_\_  
 Project No.: \_\_\_\_\_  
 S.I.S. No.: \_\_\_\_\_

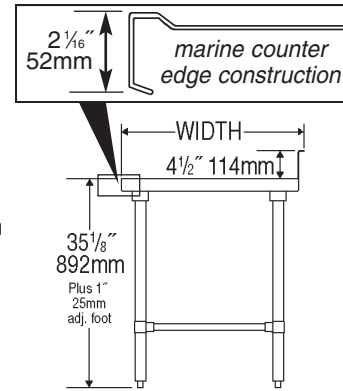
# Worktables with Backsplash and Galvanized Tubular Base —Spec-Master® Marine Series



TOP VIEW



FRONT VIEW



SIDE VIEW

model #	# of legs	width		length		weight	
		in.	mm	in.	mm	lbs.	kg
T2424GTEM-BS	4	24"	610	24"	610	45	20.4
T2430GTEM-BS	4	24"	610	30"	762	51	23.1
T2436GTEM-BS	4	24"	610	36"	914	56	25.4
T2448GTEM-BS	4	24"	610	48"	1219	67	30.4
T2460GTEM-BS	4	24"	610	60"	1524	78	35.4
T2472GTEM-BS	4	24"	610	72"	1829	89	40.4
T2484GTEM-BS	4	24"	610	84"	2134	100	45.4
T2496GTEM-BS	6	24"	610	96"	2438	110	49.9
T24108GTEM-BS	6	24"	610	108"	2743	122	55.3
T24120GTEM-BS	6	24"	610	120"	3048	133	60.3
T24132GTEM-BS	8	24"	610	132"	3353	144	65.3
T24144GTEM-BS	8	24"	610	144"	3658	155	70.3
T3030GTEM-BS	4	30"	762	30"	762	56	25.4
T3036GTEM-BS	4	30"	762	36"	914	62	28.1
T3048GTEM-BS	4	30"	762	48"	1219	73	33.1
T3060GTEM-BS	4	30"	762	60"	1524	84	38.1
T3072GTEM-BS	4	30"	762	72"	1829	95	43.1
T3084GTEM-BS	4	30"	762	84"	2134	106	48.1
T3096GTEM-BS	6	30"	762	96"	2438	117	53.1
T30108GTEM-BS	6	30"	762	108"	2743	128	58.1
T30120GTEM-BS	6	30"	762	120"	3048	139	63.1
T30132GTEM-BS	8	30"	762	132"	3353	150	68.0
T30144GTEM-BS	8	30"	762	144"	3658	161	73.0
T3648GTEM-BS	4	36"	914	48"	1219	78	35.4
T3660GTEM-BS	4	36"	914	60"	1524	89	40.4
T3672GTEM-BS	4	36"	914	72"	1829	100	45.4
T3684GTEM-BS	4	36"	914	84"	2134	111	50.3
T3696GTEM-BS	6	36"	914	96"	2438	122	55.3
T36108GTEM-BS	6	36"	914	108"	2743	133	60.3
T36120GTEM-BS	6	36"	914	120"	3048	144	65.3
T36132GTEM-BS	8	36"	914	132"	3353	155	70.3
T36144GTEM-BS	8	36"	914	144"	3658	166	75.3

**Custom Equipment Company**  
 Toll Free: 866-333-0728  
 Fax: 919-847-5765  
 e-mail: tom@custommhs.com  
 Secure Website: <https://www.custommhs.com>