



Profit from the Eagle Advantage®

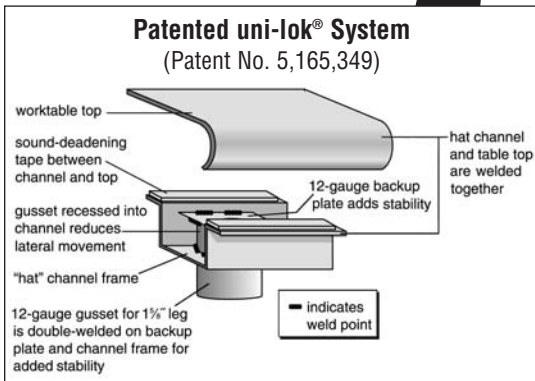
Specification Sheet

Short Form Specifications

Eagle worktables, Deluxe series, model _____. Top to be constructed of 16/304 stainless steel with 1½" roll on front, 4½" backsplash, and sides turned down 90°. Open front with 1½" O.D. galvanized tubular crossbracing on sides and rear. Top reinforced with hat channels and sound deadened. Constructed with uni-lok® patented gusset system with the gussets recessed into the hat channels to reduce lateral movement. Legs to be 1½" O.D. galvanized tubing, with galvanized gussets and 1" hi-impact plastic bullet feet.



worktable with backsplash and tubular base —shown with optional drawer



Item No.: _____
 Project No.: _____
 S.I.S. No.: _____

Worktables with Backsplash and Galvanized Tubular Base —Deluxe Series

MODELS:

- | | | | |
|---------------------------------------|--|--|--|
| <input type="checkbox"/> T2424GTEB-BS | <input type="checkbox"/> T24108GTEB-BS | <input type="checkbox"/> T3072GTEB-BS | <input type="checkbox"/> T3660GTEB-BS |
| <input type="checkbox"/> T2430GTEB-BS | <input type="checkbox"/> T24120GTEB-BS | <input type="checkbox"/> T3084GTEB-BS | <input type="checkbox"/> T3672GTEB-BS |
| <input type="checkbox"/> T2436GTEB-BS | <input type="checkbox"/> T24132GTEB-BS | <input type="checkbox"/> T3096GTEB-BS | <input type="checkbox"/> T3684GTEB-BS |
| <input type="checkbox"/> T2448GTEB-BS | <input type="checkbox"/> T24144GTEB-BS | <input type="checkbox"/> T30108GTEB-BS | <input type="checkbox"/> T3696GTEB-BS |
| <input type="checkbox"/> T2460GTEB-BS | <input type="checkbox"/> T3030GTEB-BS | <input type="checkbox"/> T30120GTEB-BS | <input type="checkbox"/> T36108GTEB-BS |
| <input type="checkbox"/> T2472GTEB-BS | <input type="checkbox"/> T3036GTEB-BS | <input type="checkbox"/> T30132GTEB-BS | <input type="checkbox"/> T36120GTEB-BS |
| <input type="checkbox"/> T2484GTEB-BS | <input type="checkbox"/> T3048GTEB-BS | <input type="checkbox"/> T30144GTEB-BS | <input type="checkbox"/> T36132GTEB-BS |
| <input type="checkbox"/> T2496GTEB-BS | <input type="checkbox"/> T3060GTEB-BS | <input type="checkbox"/> T3648GTEB-BS | <input type="checkbox"/> T36144GTEB-BS |

Tabletop

- Patented uni-lok® gusset system (patent #5,165,349): gussets are recessed into hat channel, reducing lateral movement.
- Top reinforced with welded-on hat channel.
- Sound-deadened between top and channels.
- 4½" (114mm)-high 90° backsplash with 1" (25mm) turn at 90°.
- 1½" (38mm)-diameter 180° rolled edge on front. Ends are turned down 90°, providing for flush installations when required.
- 16 gauge type 304 polished stainless steel.

Crossbracing—1¼" (38mm)-diameter

- Heavy gauge, galvanized.
- Aluminum castings join crossbraces, legs and rear brace.

Legs—1½" (41mm)-diameter

- Tables 96" (2438mm) and longer come with six legs or more.
- Heavy gauge galvanized steel.
- 1" (25mm) adjustable hi-impact plastic feet.

Options / Accessories

- | | |
|--|--|
| <input type="checkbox"/> Drawer | <input type="checkbox"/> Duplex receptacles |
| <input type="checkbox"/> Lock | <input type="checkbox"/> Pot rack |
| <input type="checkbox"/> Casters | <input type="checkbox"/> Sink |
| <input type="checkbox"/> Stainless steel bullet feet | <input type="checkbox"/> Stabilizer Bar (for 30"- and 36"-wide tables) |
| <input type="checkbox"/> Overshelves | |

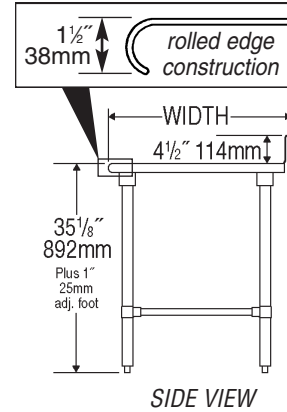
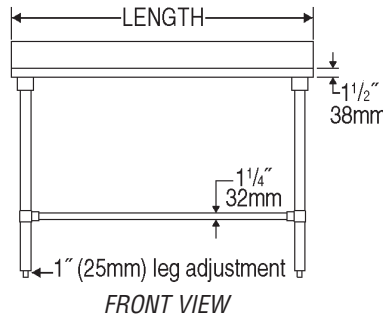
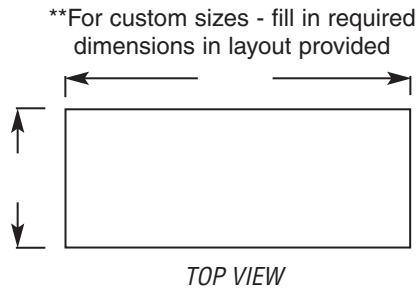
Certifications / Approvals





Item No.: _____
 Project No.: _____
 S.I.S. No.: _____

Worktables with Backsplash and Galvanized Tubular Base —Deluxe Series



model #	# of legs	width		length		weight	
		in.	mm	in.	mm	lbs.	kg
T2424GTEB-BS	4	24"	610	24"	610	41	18.6
T2430GTEB-BS	4	24"	610	30"	762	46	20.9
T2436GTEB-BS	4	24"	610	36"	914	51	23.1
T2448GTEB-BS	4	24"	610	48"	1219	61	27.7
T2460GTEB-BS	4	24"	610	60"	1524	71	32.2
T2472GTEB-BS	4	24"	610	72"	1829	81	36.7
T2484GTEB-BS	4	24"	610	84"	2134	91	41.3
T2496GTEB-BS	6	24"	610	96"	2438	101	45.8
T24108GTEB-BS	6	24"	610	108"	2743	111	50.3
T24120GTEB-BS	6	24"	610	120"	3048	121	54.9
T24132GTEB-BS	8	24"	610	132"	3353	131	59.4
T24144GTEB-BS	8	24"	610	144"	3658	141	64.0
T3030GTEB-BS	4	30"	762	30"	762	51	23.1
T3036GTEB-BS	4	30"	762	36"	914	56	25.4
T3048GTEB-BS	4	30"	762	48"	1219	66	29.9
T3060GTEB-BS	4	30"	762	60"	1524	76	34.5
T3072GTEB-BS	4	30"	762	72"	1829	86	39.0
T3084GTEB-BS	4	30"	762	84"	2134	96	43.6
T3096GTEB-BS	6	30"	762	96"	2438	106	48.1
T30108GTEB-BS	6	30"	762	108"	2743	116	52.6
T30120GTEB-BS	6	30"	762	120"	3048	126	57.2
T30132GTEB-BS	8	30"	762	132"	3353	136	61.7
T30144GTEB-BS	8	30"	762	144"	3658	146	66.2
T3648GTEB-BS	4	36"	914	48"	1219	71	32.2
T3660GTEB-BS	4	36"	914	60"	1524	81	36.7
T3672GTEB-BS	4	36"	914	72"	1829	91	41.3
T3684GTEB-BS	4	36"	914	84"	2134	101	45.8
T3696GTEB-BS	6	36"	914	96"	2438	111	50.3
T36108GTEB-BS	6	36"	914	108"	2743	121	54.9
T36120GTEB-BS	6	36"	914	120"	3048	131	59.4
T36132GTEB-BS	8	36"	914	132"	3353	141	64.0
T36144GTEB-BS	8	36"	914	144"	3658	151	68.5

Custom Equipment Company
 Toll Free: 866-333-0728
 Fax: 919-847-5765
 e-mail: tom@custommhs.com
 Secure Website: <https://www.custommhs.com>