



Profit from the Eagle Advantage®

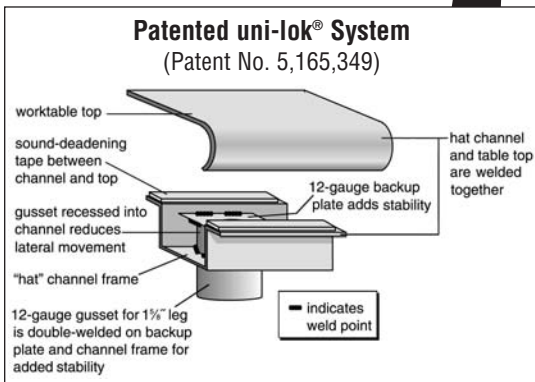
Specification Sheet

Short Form Specifications

Eagle worktables, Spec-Master® series, model _____.
 Top to be constructed of 14/304 stainless steel with 1½" roll on front, 4½" backsplash, and sides turned down 90°. Undershelf to be adjustable and constructed of heavy gauge galvanized steel. Top reinforced with welded hat channels, and sound deadened. Constructed with uni-lok® patented gusset system with the gussets recessed into the hat channels to reduce lateral movement. Legs to be 1½" O.D. galvanized tubing, with galvanized gussets and 1" hi-impact plastic bullet feet.



worktable with backsplash and undershelf



Item No.: _____
 Project No.: _____
 S.I.S. No.: _____

Worktables with Backsplash and Galvanized Base with Undershelf —Spec-Master® Series

MODELS:

- | | | | |
|------------------------------------|-------------------------------------|-------------------------------------|-------------------------------------|
| <input type="checkbox"/> T2424E-BS | <input type="checkbox"/> T24108E-BS | <input type="checkbox"/> T3072E-BS | <input type="checkbox"/> T3660E-BS |
| <input type="checkbox"/> T2430E-BS | <input type="checkbox"/> T24120E-BS | <input type="checkbox"/> T3084E-BS | <input type="checkbox"/> T3672E-BS |
| <input type="checkbox"/> T2436E-BS | <input type="checkbox"/> T24132E-BS | <input type="checkbox"/> T3096E-BS | <input type="checkbox"/> T3684E-BS |
| <input type="checkbox"/> T2448E-BS | <input type="checkbox"/> T24144E-BS | <input type="checkbox"/> T30108E-BS | <input type="checkbox"/> T3696E-BS |
| <input type="checkbox"/> T2460E-BS | <input type="checkbox"/> T3030E-BS | <input type="checkbox"/> T30120E-BS | <input type="checkbox"/> T36108E-BS |
| <input type="checkbox"/> T2472E-BS | <input type="checkbox"/> T3036E-BS | <input type="checkbox"/> T30132E-BS | <input type="checkbox"/> T36120E-BS |
| <input type="checkbox"/> T2484E-BS | <input type="checkbox"/> T3048E-BS | <input type="checkbox"/> T30144E-BS | <input type="checkbox"/> T36132E-BS |
| <input type="checkbox"/> T2496E-BS | <input type="checkbox"/> T3060E-BS | <input type="checkbox"/> T3648E-BS | <input type="checkbox"/> T36144E-BS |

Tabletop

- Patented uni-lok® gusset system (patent #5,165,349): gussets are recessed into hat channel, reducing lateral movement.
- Top reinforced with welded-on hat channel.
- Sound-deadened between top and channels.
- 4½" (114mm)-high 90° backsplash with 1" (25mm) turn at 90°.
- 1½" (38mm)-diameter 180° rolled edge on front. Ends are turned down 90°, providing for flush installations when required.
- 14 gauge type 304 polished stainless steel.

Adjustable Undershelf

- Heavy gauge, galvanized.
- Gusset welded to each corner.

Legs—1½" (41mm)-diameter

- Tables 96" (2438mm) and longer come with six legs or more.
- Heavy gauge galvanized steel.
- 1" (25mm) adjustable hi-impact plastic feet.

Options / Accessories

- | | |
|--|---|
| <input type="checkbox"/> Drawer | <input type="checkbox"/> Duplex receptacles |
| <input type="checkbox"/> Lock | <input type="checkbox"/> Pot rack |
| <input type="checkbox"/> Casters | <input type="checkbox"/> Sink |
| <input type="checkbox"/> Stainless steel bullet feet | <input type="checkbox"/> Additional undershelf |
| <input type="checkbox"/> Overshelves | <input type="checkbox"/> Stabilizer Bar (for 30" and 36"-wide tables) |

Distributed By: Custom Equipment Company
 866-333-0728

Sales: sales@custommhs.com

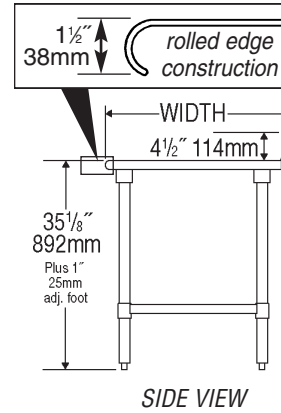
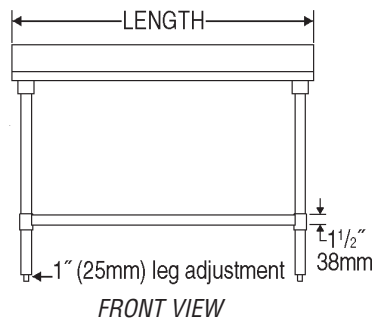
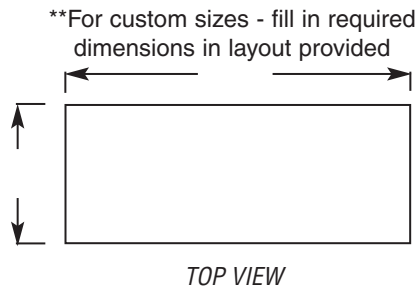
General Info: info@custommhs.com

www.custommhs.com



Item No.: _____
 Project No.: _____
 S.I.S. No.: _____

Worktables with Backsplash and Galvanized Base with Undershelf—Spec-Master® Series



| model # | # of legs | width | | length | | weight | |
|------------|-----------|-------|-----|--------|------|--------|-------|
| | | in. | mm | in. | mm | lbs. | kg |
| T2424E-BS | 4 | 24" | 610 | 24" | 610 | 47 | 21.3 |
| T2430E-BS | 4 | 24" | 610 | 30" | 762 | 53 | 24.0 |
| T2436E-BS | 4 | 24" | 610 | 36" | 914 | 58 | 26.3 |
| T2448E-BS | 4 | 24" | 610 | 48" | 1219 | 69 | 31.3 |
| T2460E-BS | 4 | 24" | 610 | 60" | 1524 | 80 | 36.3 |
| T2472E-BS | 4 | 24" | 610 | 72" | 1829 | 94 | 42.6 |
| T2484E-BS | 4 | 24" | 610 | 84" | 2134 | 107 | 48.5 |
| T2496E-BS | 6 | 24" | 610 | 96" | 2438 | 126 | 57.2 |
| T24108E-BS | 6 | 24" | 610 | 108" | 2743 | 156 | 70.8 |
| T24120E-BS | 6 | 24" | 610 | 120" | 3048 | 170 | 77.1 |
| T24132E-BS | 8 | 24" | 610 | 132" | 3353 | 183 | 83.0 |
| T24144E-BS | 8 | 24" | 610 | 144" | 3658 | 196 | 88.9 |
| T3030E-BS | 4 | 30" | 762 | 30" | 762 | 55 | 24.9 |
| T3036E-BS | 4 | 30" | 762 | 36" | 914 | 58 | 26.3 |
| T3048E-BS | 4 | 30" | 762 | 48" | 1219 | 77 | 34.9 |
| T3060E-BS | 4 | 30" | 762 | 60" | 1524 | 89 | 40.4 |
| T3072E-BS | 4 | 30" | 762 | 72" | 1829 | 103 | 46.3 |
| T3084E-BS | 4 | 30" | 762 | 84" | 2134 | 119 | 54.0 |
| T3096E-BS | 6 | 30" | 762 | 96" | 2438 | 143 | 64.9 |
| T30108E-BS | 6 | 30" | 762 | 108" | 2743 | 165 | 74.8 |
| T30120E-BS | 6 | 30" | 762 | 120" | 3048 | 187 | 84.8 |
| T30132E-BS | 8 | 30" | 762 | 132" | 3353 | 207 | 93.9 |
| T30144E-BS | 8 | 30" | 762 | 144" | 3658 | 228 | 103.4 |
| T3648E-BS | 4 | 36" | 914 | 48" | 1219 | 85 | 38.6 |
| T3660E-BS | 4 | 36" | 914 | 60" | 1524 | 99 | 44.9 |
| T3672E-BS | 4 | 36" | 914 | 72" | 1829 | 117 | 53.1 |
| T3684E-BS | 4 | 36" | 914 | 84" | 2134 | 135 | 61.2 |
| T3696E-BS | 6 | 36" | 914 | 96" | 2438 | 145 | 65.8 |
| T36108E-BS | 6 | 36" | 914 | 108" | 2743 | 186 | 84.4 |
| T36120E-BS | 6 | 36" | 914 | 120" | 3048 | 211 | 95.7 |
| T36132E-BS | 8 | 36" | 914 | 132" | 3353 | 238 | 108.0 |
| T36144E-BS | 8 | 36" | 914 | 144" | 3658 | 263 | 119.3 |

Distributed By: Custom Equipment Company
 866-333-0728
 Sales: sales@custommhs.com
 General Info: info@custommhs.com
 www.custommhs.com