



Profit from the Eagle Advantage®

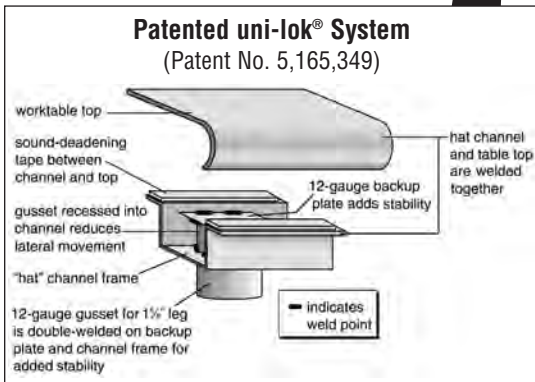
# Specification Sheet

## Short Form Specifications

Eagle worktables, Spec-Master® series, model \_\_\_\_\_.  
 Top constructed of 14/304 stainless steel with 1½" roll on front, 4½" backsplash, and sides turned down 90°. Adjustable undershelf constructed of 18/304 stainless steel with marine edge. Top reinforced with stainless steel hat channels and sound deadened. Constructed with uni-lok® patented gusset system with the gussets recessed into the hat channels to reduce lateral movement. 1½"-diameter stainless steel legs, with stainless steel gussets and 1" stainless steel adjustable bullet feet.



worktable with backsplash and adjustable undershelf



Item No.: \_\_\_\_\_  
 Project No.: \_\_\_\_\_  
 S.I.S. No.: \_\_\_\_\_

## Worktables with Backsplash and Stainless Steel Base with Undershelf —Spec-Master® Series

### MODELS:

- |                                     |                                      |                                      |                                      |
|-------------------------------------|--------------------------------------|--------------------------------------|--------------------------------------|
| <input type="checkbox"/> T2424SE-BS | <input type="checkbox"/> T24108SE-BS | <input type="checkbox"/> T3072SE-BS  | <input type="checkbox"/> T3660SE-BS  |
| <input type="checkbox"/> T2430SE-BS | <input type="checkbox"/> T24120SE-BS | <input type="checkbox"/> T3084SE-BS  | <input type="checkbox"/> T3672SE-BS  |
| <input type="checkbox"/> T2436SE-BS | <input type="checkbox"/> T24132SE-BS | <input type="checkbox"/> T3096SE-BS  | <input type="checkbox"/> T3684SE-BS  |
| <input type="checkbox"/> T2448SE-BS | <input type="checkbox"/> T24144SE-BS | <input type="checkbox"/> T30108SE-BS | <input type="checkbox"/> T3696SE-BS  |
| <input type="checkbox"/> T2460SE-BS | <input type="checkbox"/> T3030SE-BS  | <input type="checkbox"/> T30120SE-BS | <input type="checkbox"/> T36108SE-BS |
| <input type="checkbox"/> T2472SE-BS | <input type="checkbox"/> T3036SE-BS  | <input type="checkbox"/> T30132SE-BS | <input type="checkbox"/> T36120SE-BS |
| <input type="checkbox"/> T2484SE-BS | <input type="checkbox"/> T3048SE-BS  | <input type="checkbox"/> T30144SE-BS | <input type="checkbox"/> T36132SE-BS |
| <input type="checkbox"/> T2496SE-BS | <input type="checkbox"/> T3060SE-BS  | <input type="checkbox"/> T3648SE-BS  | <input type="checkbox"/> T36144SE-BS |

### Tabletop

- Patented uni-lok® gusset system (patent #5,165,349): gussets are recessed into hat channel, reducing lateral movement.
- Top reinforced with welded-on hat channel.
- Sound-deadened between top and channels.
- 4½" (114mm)-high 90° backsplash with 1" (25mm) turn at 90°.
- 1½" (38mm)-diameter 180° rolled edge on front. Ends are turned down 90°, providing for flush installations when required.
- 14 gauge type 304 polished stainless steel.

### Adjustable Undershelf

- Heavy gauge stainless steel.
- Gusset welded to each corner.
- Heavy duty marine edge design.

### Legs—1½" (41mm)-diameter

- Tables 96" (2438mm) and longer come with six legs or more.
- Heavy gauge stainless steel.
- 1" (25mm) adjustable stainless steel feet.

### Options / Accessories

- |  |  |
|--|--|
| <input type="checkbox"/> Drawer                              | <input type="checkbox"/> Duplex receptacles                            |
| <input type="checkbox"/> Lock                                | <input type="checkbox"/> Pot rack                                      |
| <input type="checkbox"/> Casters                             | <input type="checkbox"/> Sink  |
| <input type="checkbox"/> Stainless steel bullet feet         | <input type="checkbox"/> Additional undershelf                         |
| <input type="checkbox"/> Overshelves                         | <input type="checkbox"/> Stabilizer Bar (for 30"- and 36"-wide tables) |
| <input type="checkbox"/> Power strip (for material handling) |  |

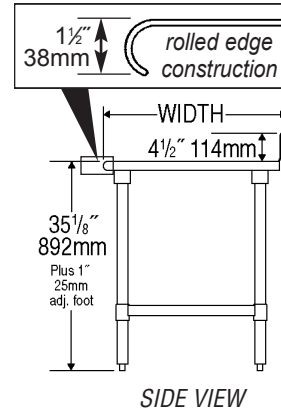
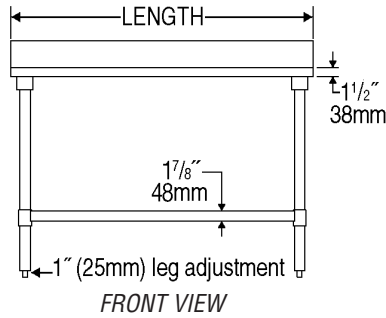
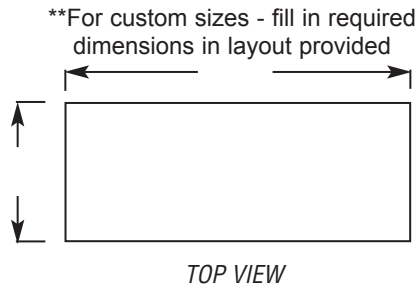
### Certifications / Approvals





Item No.: \_\_\_\_\_  
 Project No.: \_\_\_\_\_  
 S.I.S. No.: \_\_\_\_\_

## Worktables with Backsplash and Stainless Steel Base with Undershelf—Spec-Master® Series



model #	# of legs	width		length		weight	
		in.	mm	in.	mm	lbs.	kg
T2424SE-BS	4	24"	610	24"	610	47	21.3
T2430SE-BS	4	24"	610	30"	762	53	24.0
T2436SE-BS	4	24"	610	36"	914	58	26.3
T2448SE-BS	4	24"	610	48"	1219	69	31.3
T2460SE-BS	4	24"	610	60"	1524	80	36.3
T2472SE-BS	4	24"	610	72"	1829	94	42.6
T2484SE-BS	4	24"	610	84"	2134	107	48.5
T2496SE-BS	6	24"	610	96"	2438	125	56.7
T24108SE-BS	6	24"	610	108"	2743	156	70.3
T24120SE-BS	6	24"	610	120"	3048	169	76.7
T24132SE-BS	8	24"	610	132"	3353	183	83.0
T24144SE-BS	8	24"	610	144"	3658	196	88.9
T3030SE-BS	4	30"	762	30"	762	55	24.9
T3036SE-BS	4	30"	762	36"	914	58	26.3
T3048SE-BS	4	30"	762	48"	1219	77	34.9
T3060SE-BS	4	30"	762	60"	1524	89	40.4
T3072SE-BS	4	30"	762	72"	1829	103	46.3
T3084SE-BS	4	30"	762	84"	2134	119	54.0
T3096SE-BS	6	30"	762	96"	2438	143	64.9
T30108SE-BS	6	30"	762	108"	2743	165	74.4
T30120SE-BS	6	30"	762	120"	3048	187	84.8
T30132SE-BS	8	30"	762	132"	3353	207	93.9
T30144SE-BS	8	30"	762	144"	3658	228	103.4
T3648SE-BS	4	36"	914	48"	1219	85	38.6
T3660SE-BS	4	36"	914	60"	1524	99	44.9
T3672SE-BS	4	36"	914	72"	1829	117	53.1
T3684SE-BS	4	36"	914	84"	2134	135	61.2
T3696SE-BS	6	36"	914	96"	2438	145	65.8
T36108SE-BS	6	36"	914	108"	2743	186	84.4
T36120SE-BS	6	36"	914	120"	3048	211	95.7
T36132SE-BS	8	36"	914	132"	3353	238	108.0
T36144SE-BS	8	36"	914	144"	3658	263	119.3

Custom Equipment Company  
 Toll Free: 866-333-0728  
 Fax: 919-847-5765  
 e-mail: tom@custommhs.com  
 Secure Website: <https://www.custommhs.com>